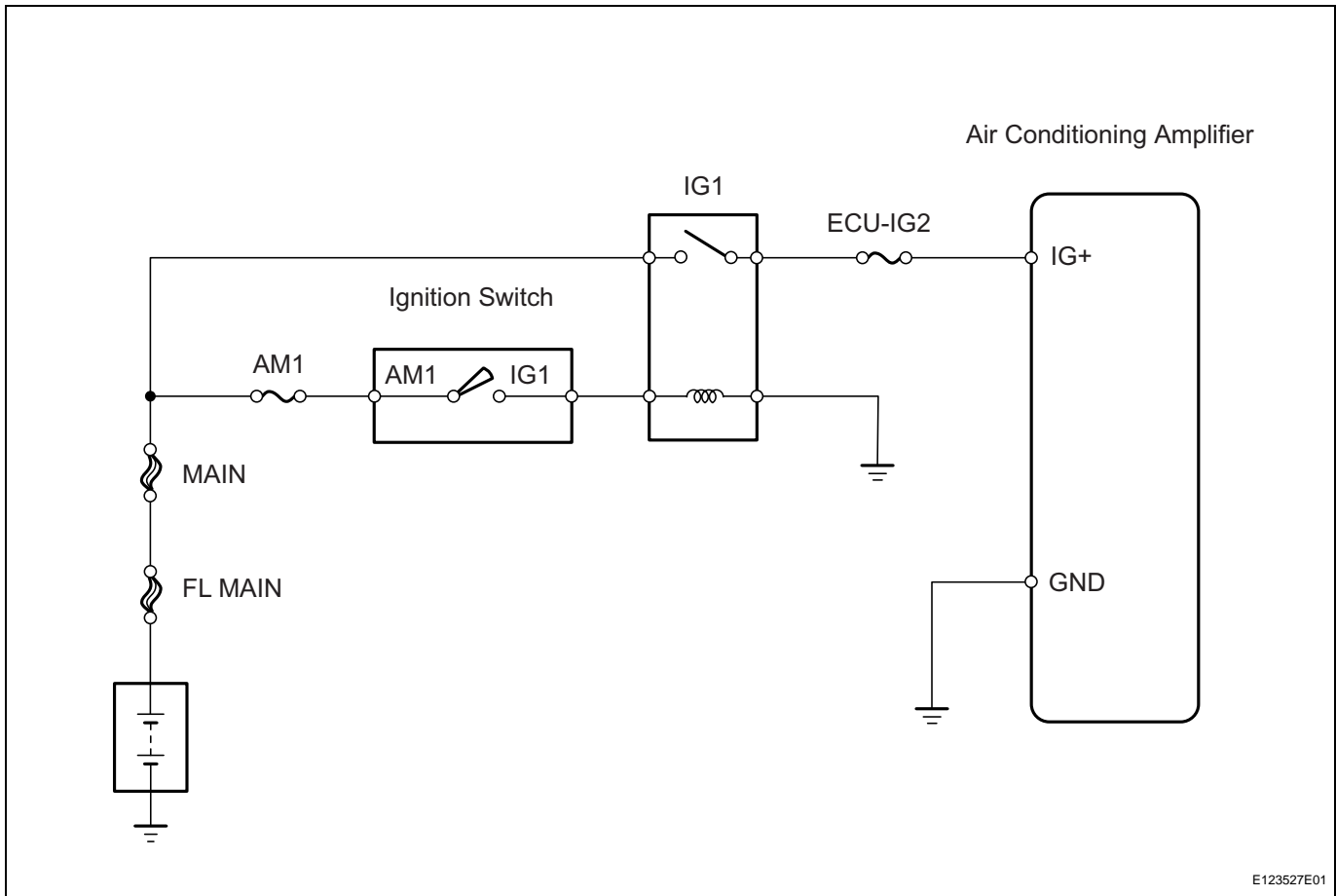


IG Power Source Circuit

DESCRIPTION

This is the main power source supplied to the air conditioning amplifier when the ignition switch is ON. This power source is used for operating components, such as the air conditioning amplifier and servo motors.

WIRING DIAGRAM



INSPECTION PROCEDURE

1 INSPECT FUSE (ECU-IG2)

- (a) Remove the ECU-IG2 fuse from the instrument panel junction block.
- (b) Measure the resistance of the fuse.

Standard resistance:

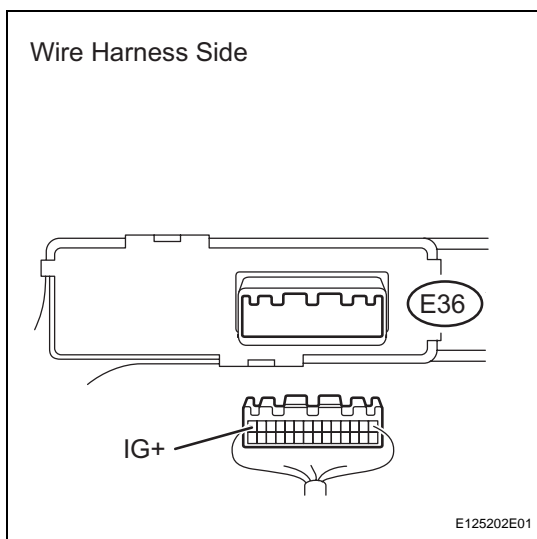
Below 1 Ω

NG

REPLACE FUSE

OK

2 CHECK WIRE HARNESS (AIR CONDITIONING AMPLIFIER - BATTERY)



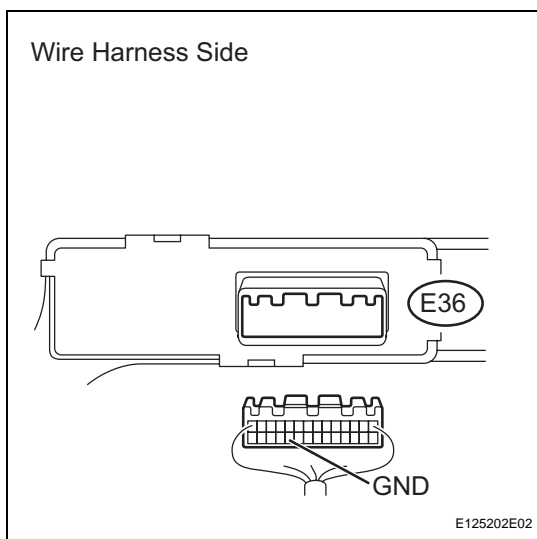
- (a) Disconnect the E36 amplifier connector.
 - (b) Measure the voltage of the wire harness side connector.
- Standard voltage**

Tester Connection	Condition	Specified Condition
E36-14 (IG+) - Body ground	Ignition switch ON	10 to 14 V

NG → **REPAIR OR REPLACE HARNESS AND CONNECTOR**

OK

3 CHECK WIRE HARNESS (AIR CONDITIONING AMPLIFIER - BODY GROUND)



- (a) Disconnect the E36 amplifier connector.
 - (b) Measure the resistance of the wire harness side connector.
- Standard resistance**

Tester Connection	Specified Condition
E36-24 (GND) - Body ground	Below 1 Ω

NG → **REPAIR OR REPLACE HARNESS AND CONNECTOR**

OK

PROCEED TO NEXT CIRCUIT INSPECTION SHOWN IN PROBLEM SYMPTOMS TABLE

AC