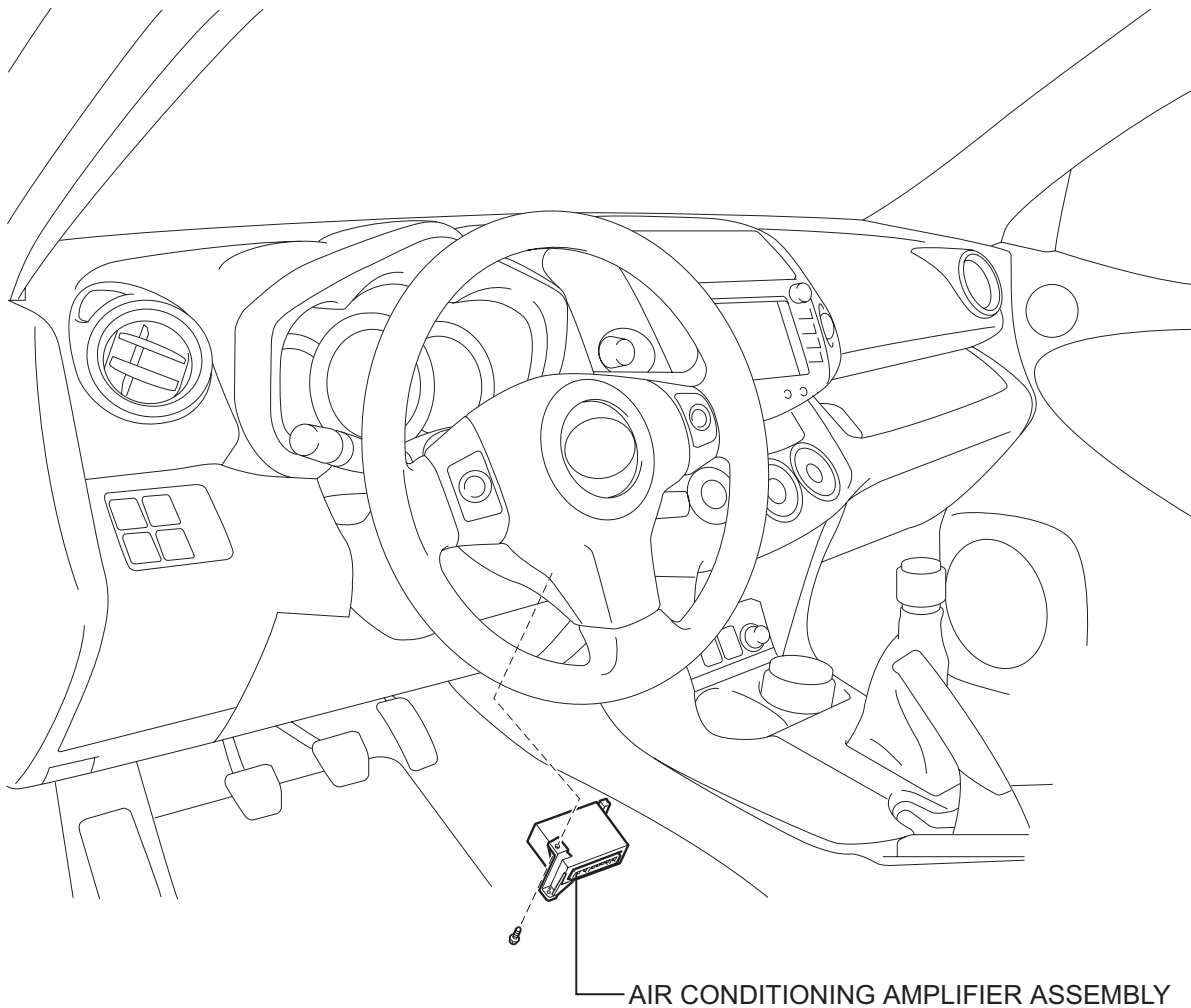
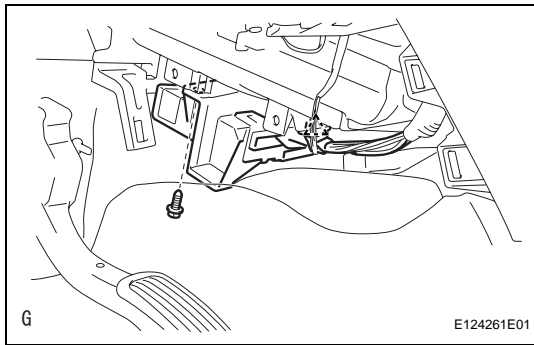


AIR CONDITIONING AMPLIFIER

COMPONENTS

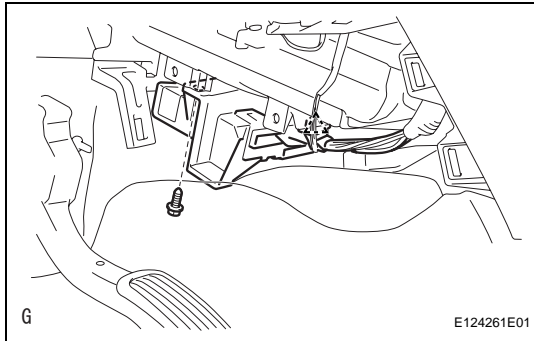


AC



REMOVAL

- 1. REMOVE AIR CONDITIONING AMPLIFIER ASSEMBLY**
 - (a) Detach the clamp.
 - (b) Disconnect the connector.
 - (c) Remove the screw and A/C amplifier.



INSTALLATION

- 1. INSTALL AIR CONDITIONING AMPLIFIER ASSEMBLY**
 - (a) Install the A/C amplifier with the screw.
 - (b) Connect the connector.
 - (c) Attach the clamp.