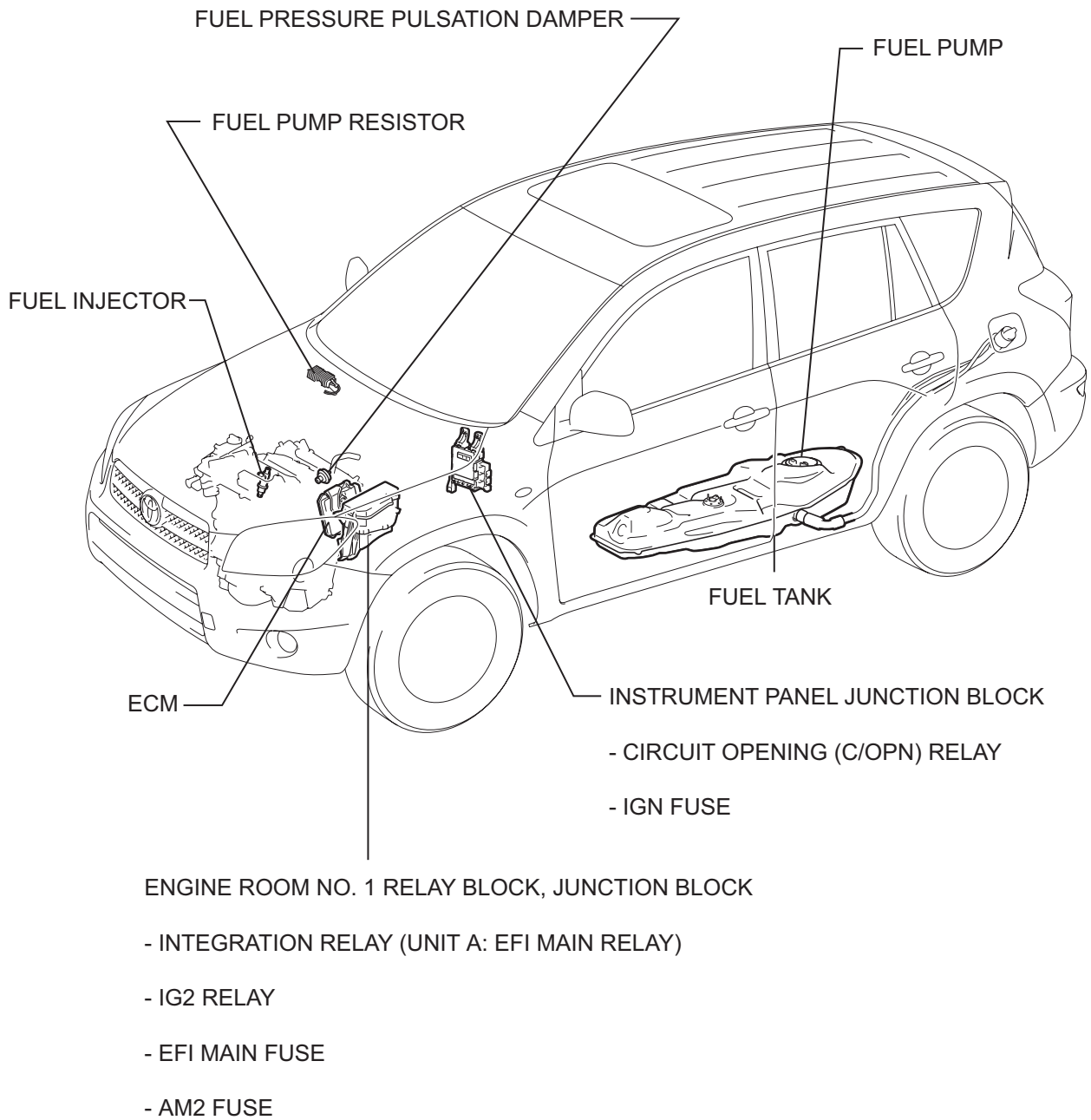


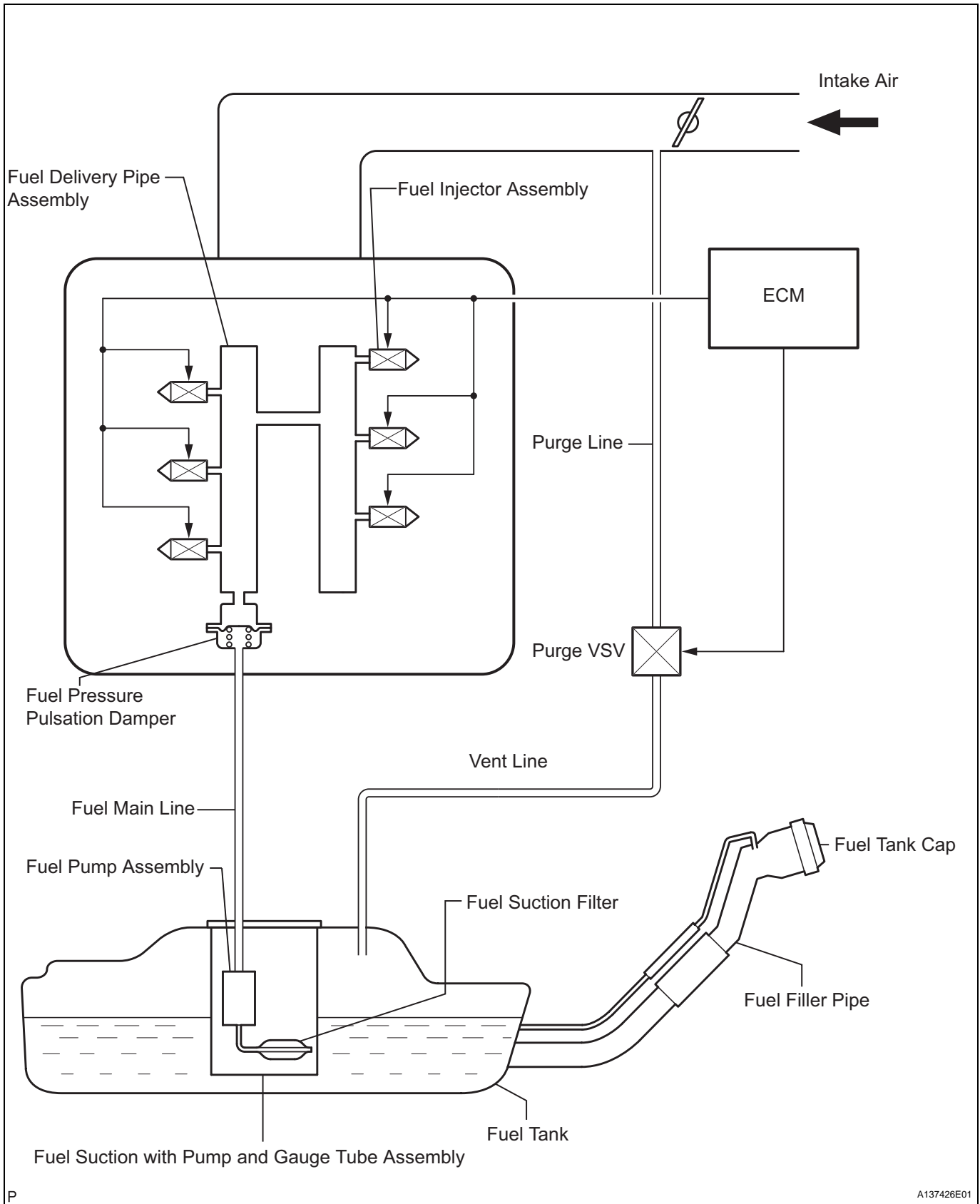
# PARTS LOCATION

FU



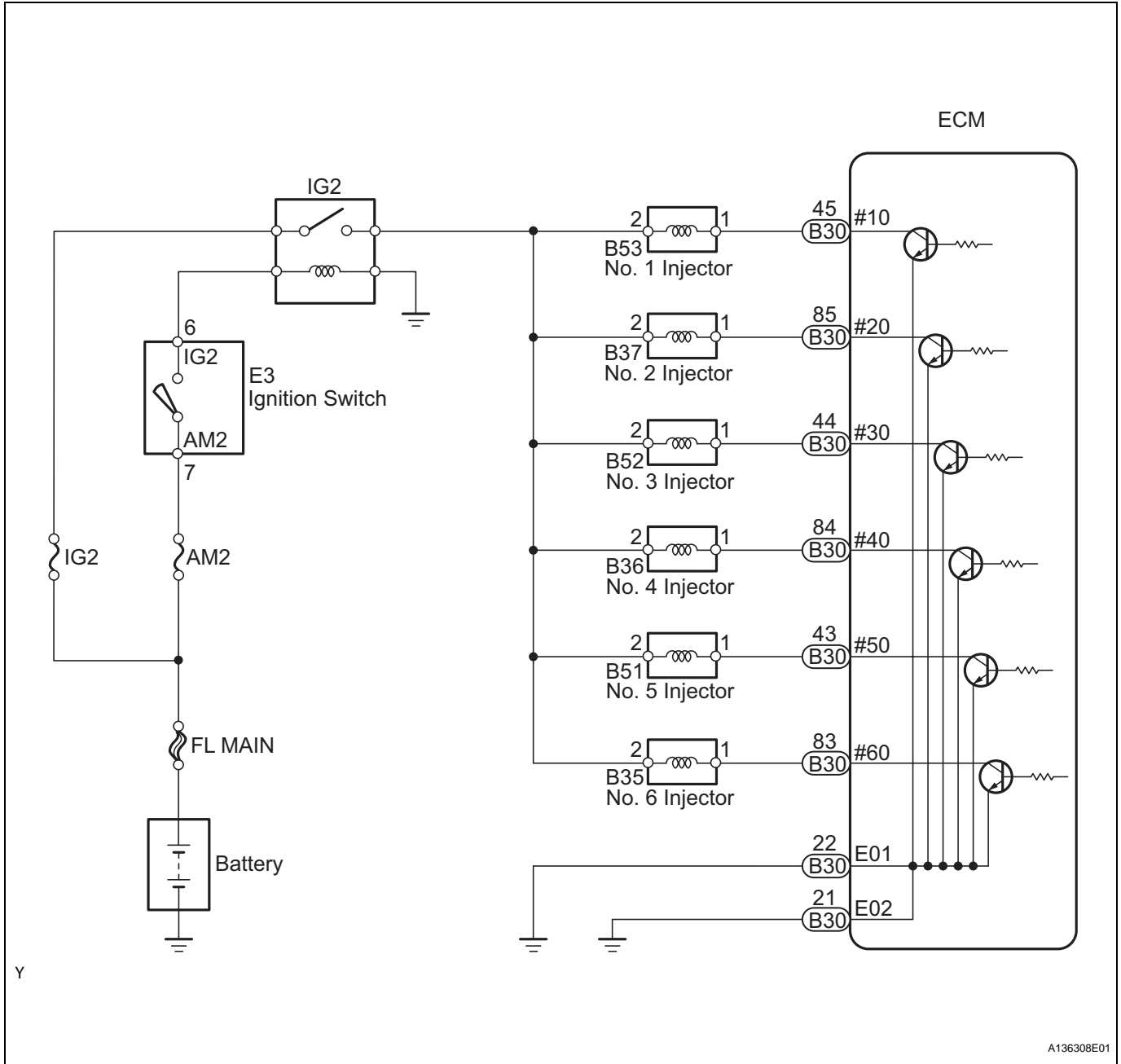
# SYSTEM DIAGRAM

## 1. FUEL FLOW DIAGRAM

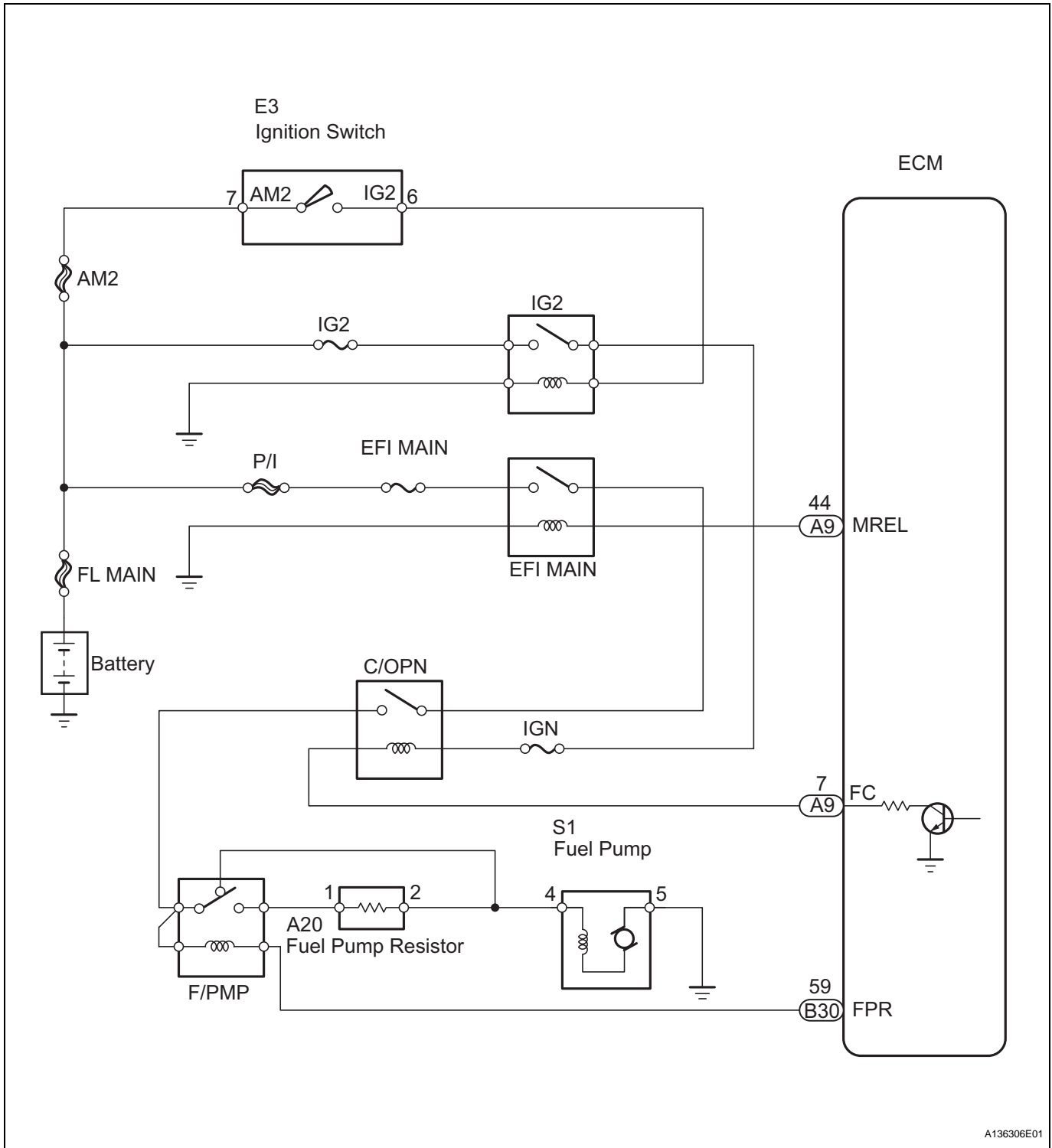


FU

2. FUEL SYSTEM WIRING DIAGRAM



3. FUEL SYSTEM WIRING DIAGRAM



FU