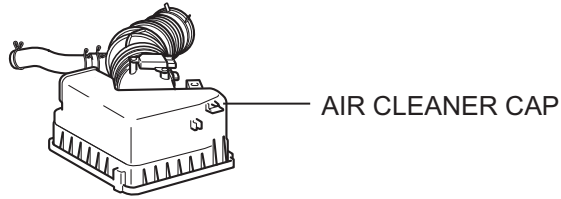
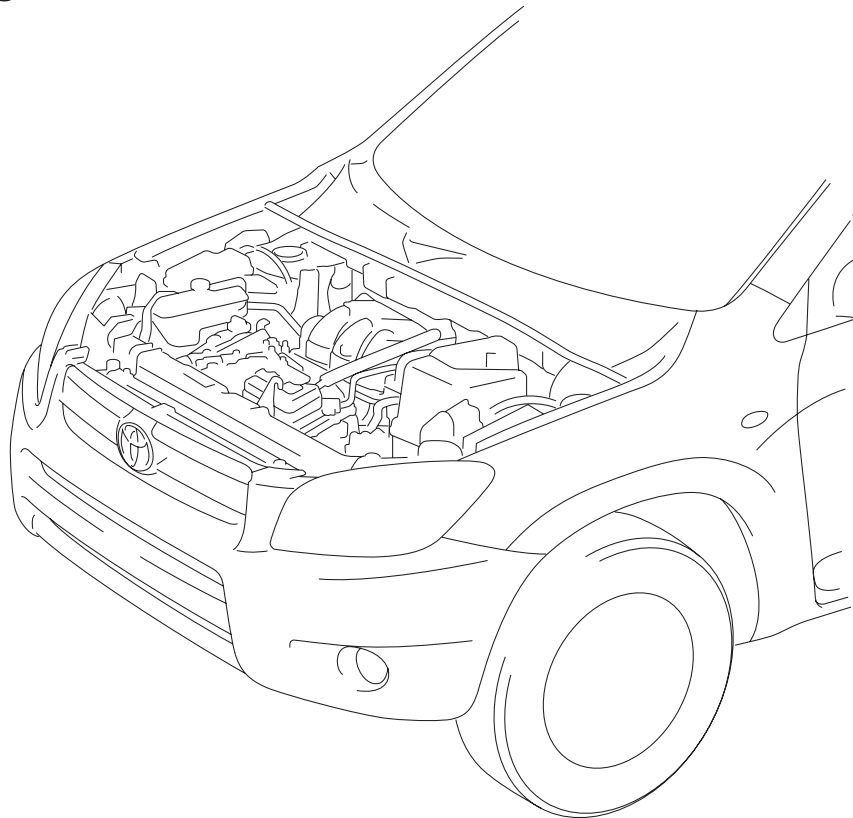
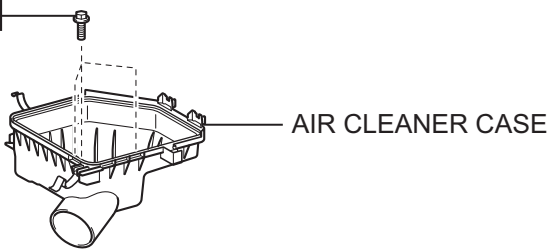


# ECM COMPONENTS

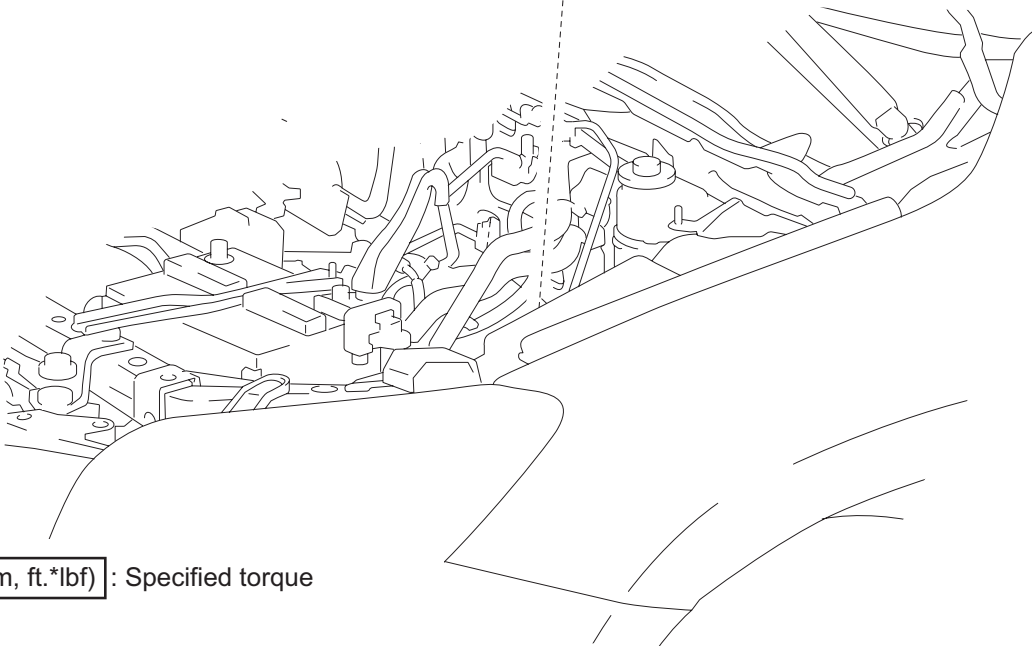
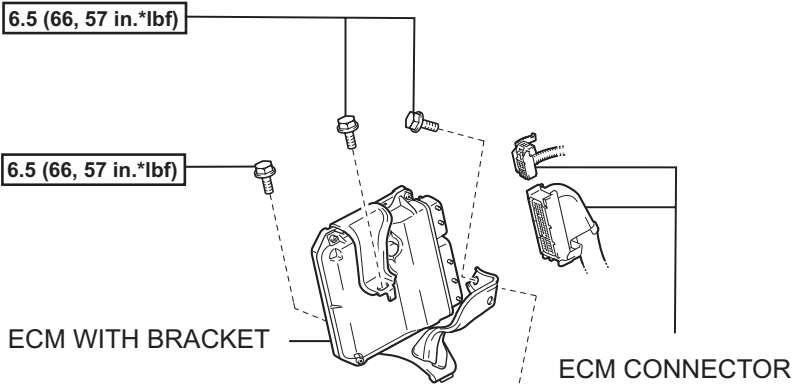
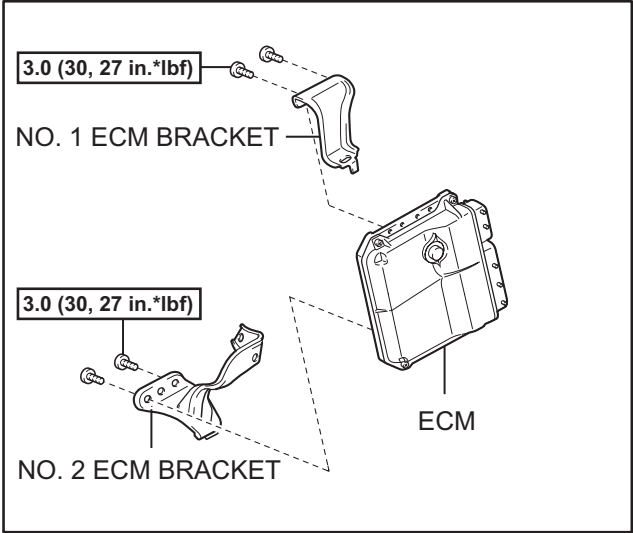


5.0 (51, 44 in.\*lbf)



N\*m (kgf\*cm, ft.\*lbf) : Specified torque

ES



N\*m (kgf\*cm, ft.\*lbf) : Specified torque