

COOLING SYSTEM

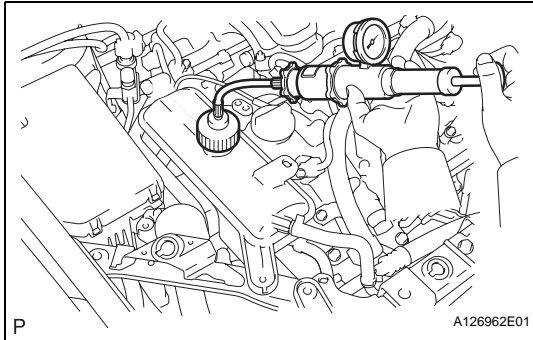
ON-VEHICLE INSPECTION

1. CHECK COOLING SYSTEM FOR LEAKS

- (a) Remove the radiator reservoir cap.

CAUTION:

Do not remove the radiator reservoir cap while the engine and radiator are still hot. Pressurized, hot engine coolant and steam may be released and cause serious burns.

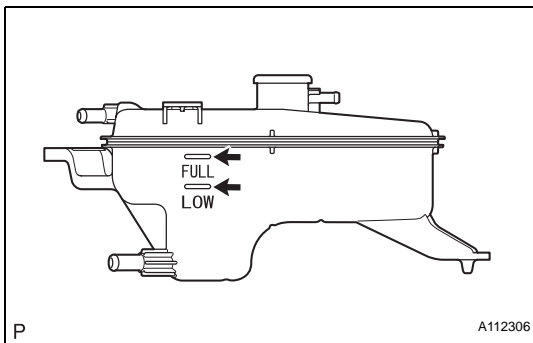


- (b) Fill the radiator with coolant, and then attach a radiator cap tester.
- (c) Warm up the engine.
- (d) Pump the radiator cap tester to 118 kPa (1.2 kgf/cm², 17.1 psi), and then check that the pressure does not drop.
If the pressure drops, check the hoses, radiator and water pump for leakage.
If there are no signs of external coolant leaks, check the heater core, cylinder block and head.
- (e) Reinstall the radiator cap.

2. CHECK ENGINE COOLANT LEVEL OF RESERVOIR

- (a) The engine coolant should be between the LOW and FULL lines when the engine is cold.

If the coolant level is below the LOW line, check for leakage and add TOYOTA Super Long Life Coolant (SLLC) or similar high quality ethylene glycol based non-silicate, non-amine, non-nitrite, and non-borate coolant with long-life hybrid organic acid technology up to the FULL line.



3. CHECK ENGINE COOLANT QUALITY

- (a) Remove the radiator reservoir cap.

CAUTION:

Do not remove the radiator reservoir cap while the engine and radiator are still hot. Pressurized, hot engine coolant and steam may be released and cause serious burns.

- (b) Check for any excessive deposits of rust or scale around the radiator reservoir cap and radiator filler hole. The coolant should be free of oil.
If excessively dirty, replace the coolant.
- (c) Install the radiator reservoir cap.