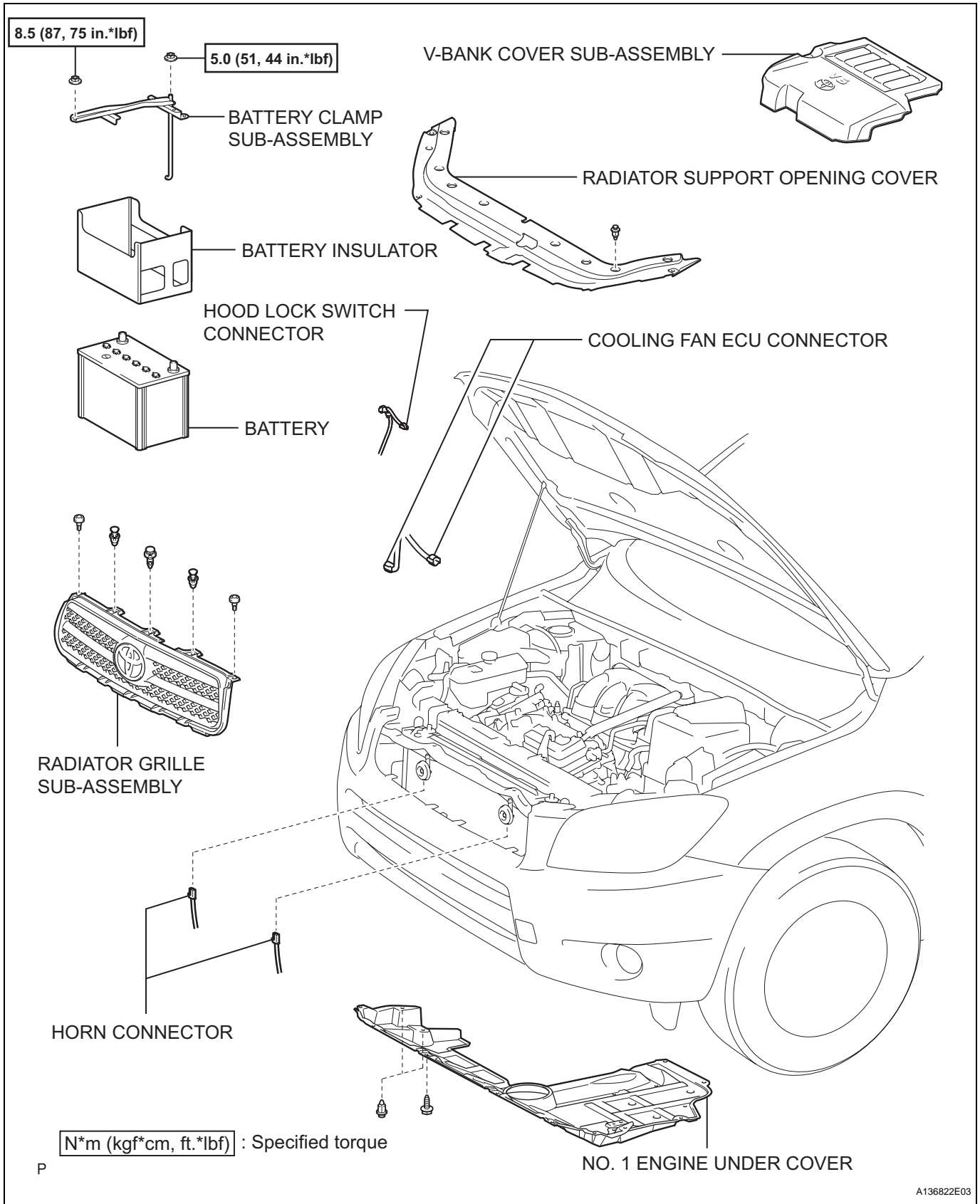
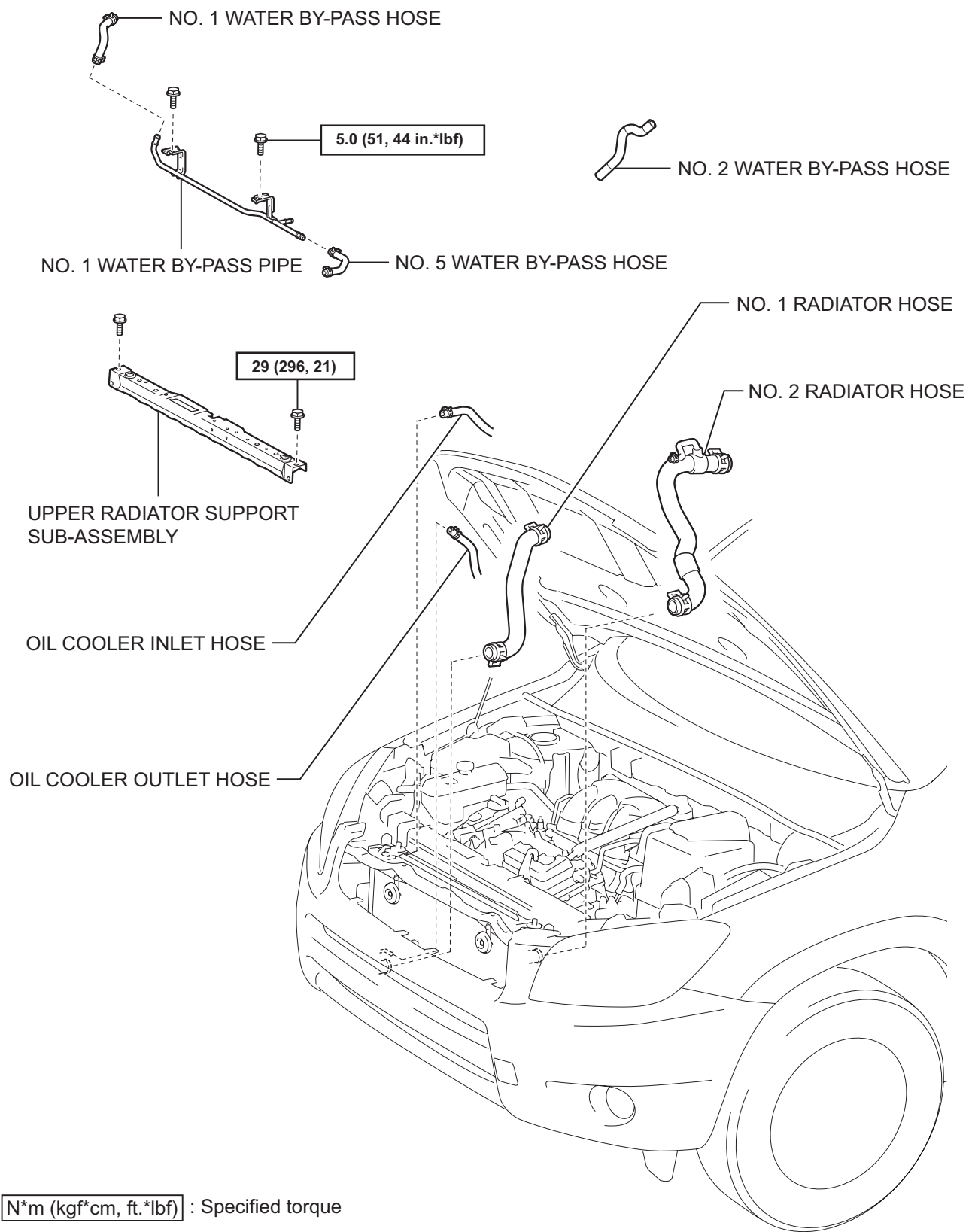


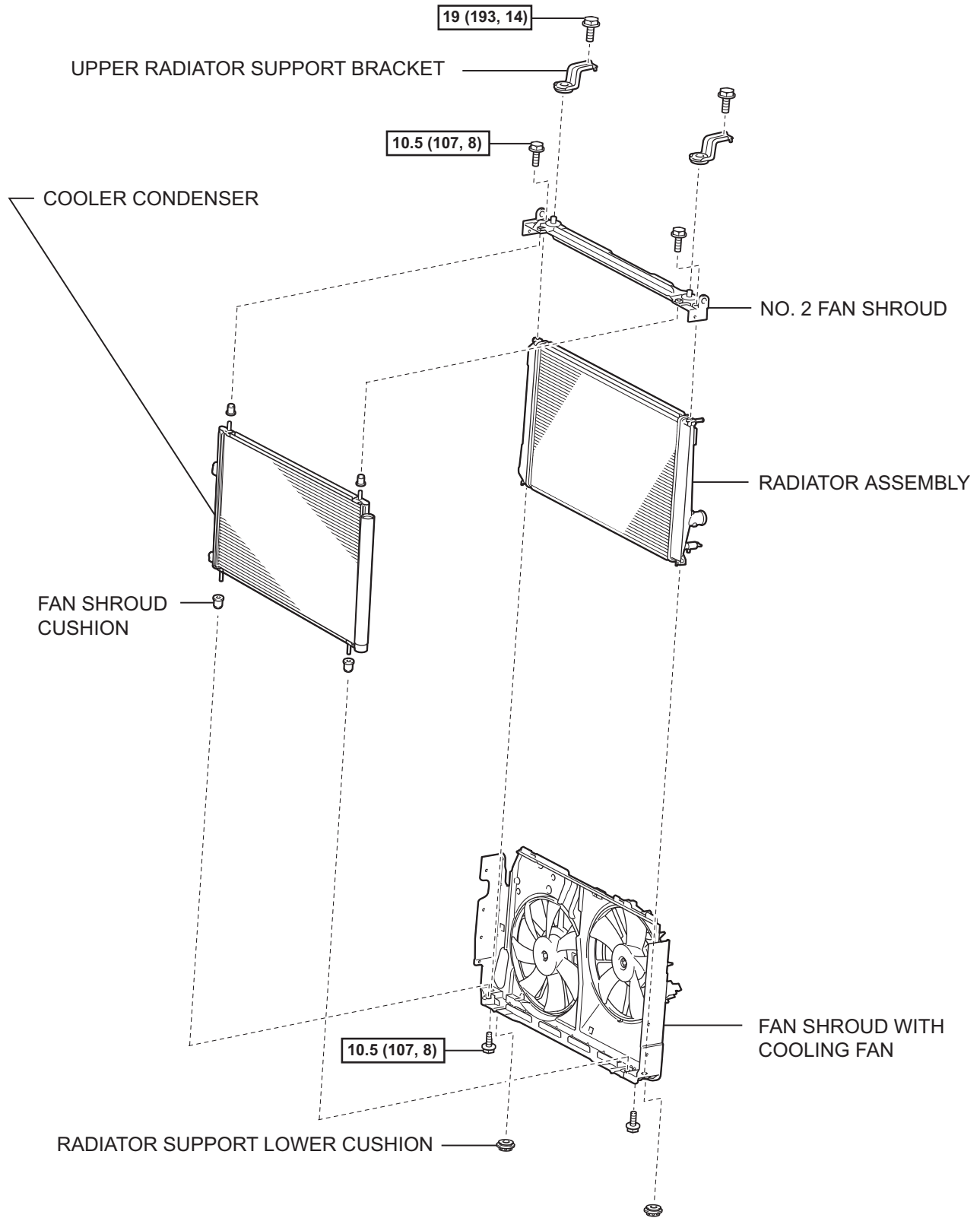
COOLING FAN MOTOR

COMPONENTS



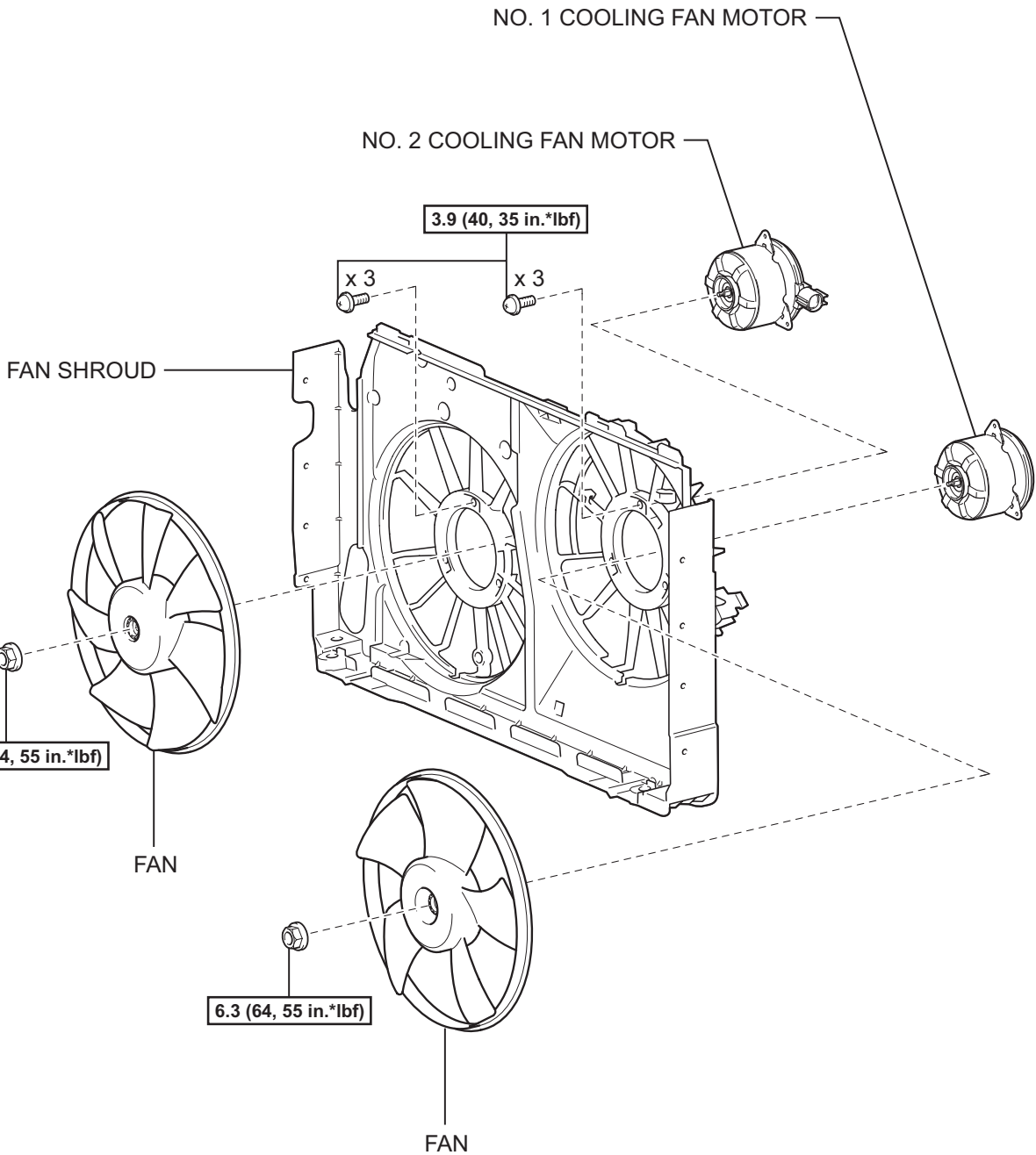
CO





N*m (kgf*cm, ft.*lbf) : Specified torque

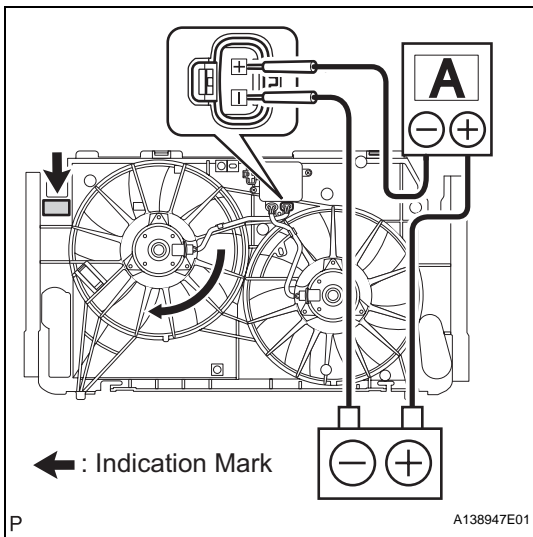
CO



6.3 (64, 55 in.*lbf) : Specified torque

CO

ON-VEHICLE INSPECTION



1. **INSPECT NO. 1 COOLING FAN MOTOR (w/o Trailer Towing System)**
 - (a) Disconnect the No. 1 fan connector.
 - (b) Connect the battery and an ammeter to the No. 1 fan motor connector.
 - (c) Check that the No. 1 fan rotates smoothly, and then check the reading on the ammeter.

Standard amperage

Indication Mark	Motor Type	Condition	Specified Condition
E	160 W	at 20°C (68°F)	11.8 to 14.8 A

HINT:

Refer to the illustration for the indication mark location.

If the result is not as specified, replace the No. 1 cooling fan motor.

- (d) Reconnect the No. 1 fan motor connector.

2. **INSPECT NO. 1 COOLING FAN MOTOR (w/ Trailer Towing System)**

- (a) Disconnect the No. 1 fan connector.
- (b) Connect the battery and an ammeter to the No. 1 fan motor connector.
- (c) Check that the No. 1 fan rotates smoothly, and then check the reading on the ammeter.

Standard amperage

Indication Mark	Motor Type	Condition	Specified Condition
H	240 W	at 20°C (68°F)	18.0 to 22.0 A

HINT:

Refer to the illustration for the indication mark location.

If the result is not as specified, replace the No. 1 cooling fan motor.

- (d) Reconnect the No. 1 fan motor connector.

3. **INSPECT NO. 2 COOLING FAN MOTOR (w/o Trailer Towing System)**

- (a) Disconnect the No. 2 fan connector.
- (b) Connect the battery and an ammeter to the No. 2 fan motor connector.
- (c) Check that the No. 2 fan rotates smoothly, and then check the reading on the ammeter.

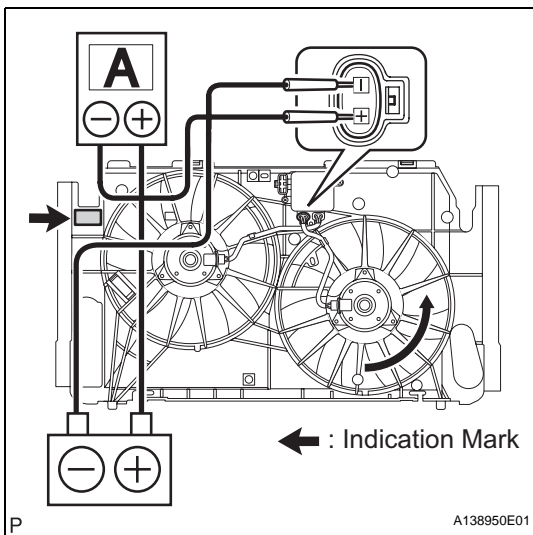
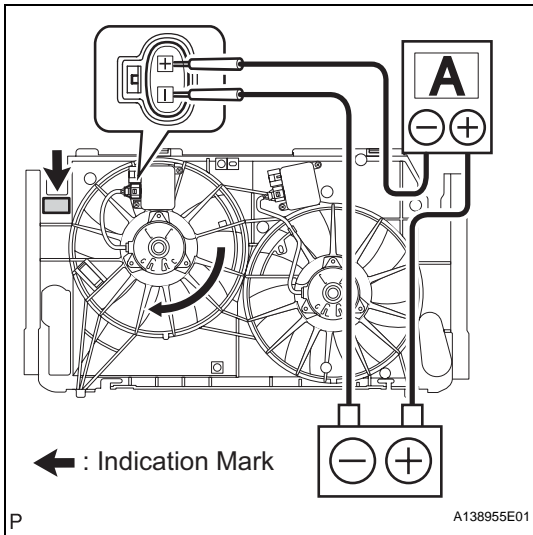
Standard amperage

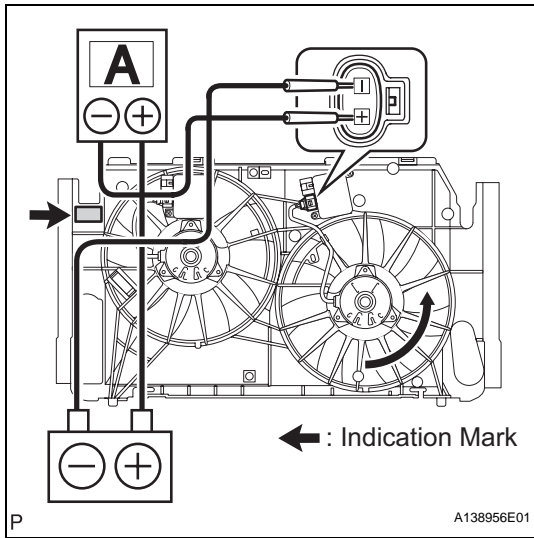
Indication Mark	Motor Type	Condition	Specified Condition
E	160 W	at 20°C (68°F)	11.8 to 14.8 A

HINT:

Refer to the illustration for the indication mark location.

If the result is not as specified, replace the No. 2 cooling fan motor.





(d) Reconnect the No. 2 fan motor connector.

4. INSPECT NO. 2 COOLING FAN MOTOR (w/ Trailer Towing System)

- Disconnect the No. 2 fan connector.
- Connect the battery and an ammeter to the No. 2 fan motor connector.
- Check that the No. 2 fan rotates smoothly, and then check the reading on the ammeter.

Standard amperage

Indication Mark	Motor Type	Condition	Specified Condition
H	240 W	at 20°C (68°F)	18.0 to 22.0 A

HINT:

Refer to the illustration for the indication mark location.

If the result is not as specified, replace the No. 2 cooling fan motor.

- Reconnect the No. 2 fan motor connector.