

## REMOVAL

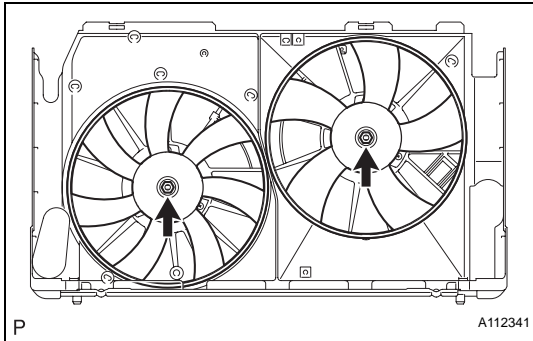
### 1. REMOVE RADIATOR ASSEMBLY

- (a) Remove the radiator (see page [CO-36](#)).

## DISASSEMBLY

### 1. REMOVE FAN

- (a) Remove the 2 nuts and 2 fans.

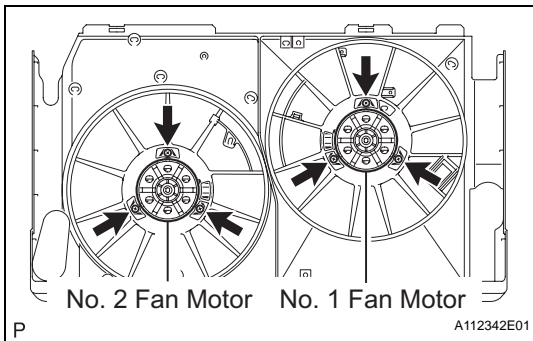


### 2. REMOVE NO. 1 COOLING FAN MOTOR

- (a) Remove the 3 screws and fan motor.

### 3. REMOVE NO. 2 COOLING FAN MOTOR

- (a) Remove the 3 screws and fan motor.



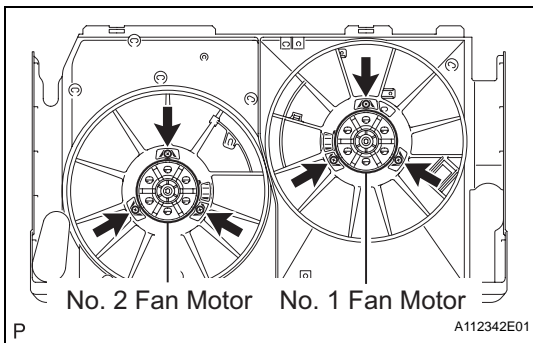
## REASSEMBLY

### 1. INSTALL NO. 2 COOLING FAN MOTOR

- (a) Install the fan motor with the 3 screws.  
**Torque: 3.9 N\*m (40 kgf\*cm, 35 in.\*lbf)**

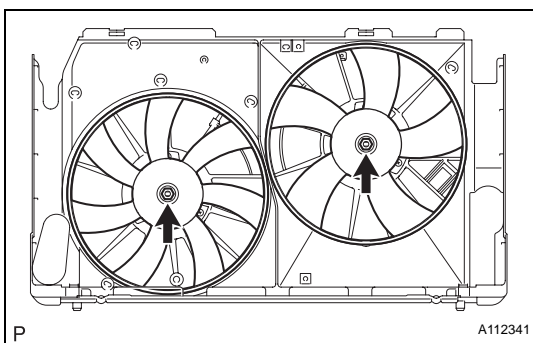
### 2. INSTALL NO. 1 COOLING FAN MOTOR

- (a) Install the fan motor with the 3 screws.  
**Torque: 3.9 N\*m (40 kgf\*cm, 35 in.\*lbf)**



### 3. INSTALL FAN

- (a) Install the 2 fans with the 2 nuts.  
**Torque: 6.3 N\*m (64 kgf\*cm, 55 in.\*lbf)**
- (b) Check the fan motor operation.



## INSTALLATION

1. **INSTALL RADIATOR ASSEMBLY**
  - (a) Install the radiator (see page [CO-40](#)).