

INSTALLATION

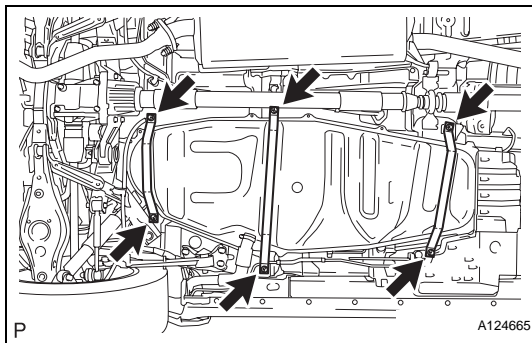
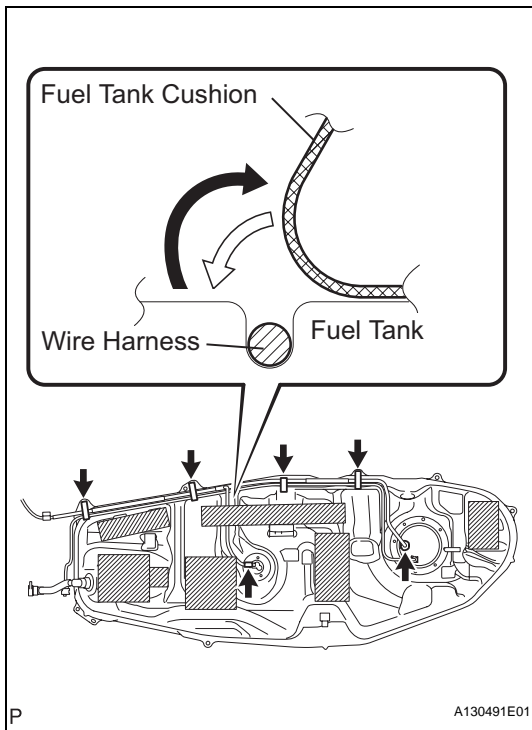
1. INSTALL FUEL TANK ASSEMBLY

- (a) Set the fuel tank on a mission jack.
- (b) Lift up the mission jack.
- (c) Fold back the 2 cushion rubbers.
- (d) Connect the fuel pump connector and sender gauge connector to the fuel tank.

NOTICE:

Be careful not to cut the wirings.

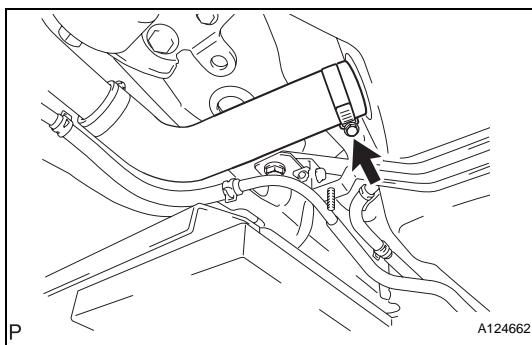
- (e) Attach the wire harness to the 4 clamps.



- (f) Install the 3 fuel tank bands with the 6 bolts.
Torque: 40 N*m (408 kgf*cm, 30 ft.*lbf)

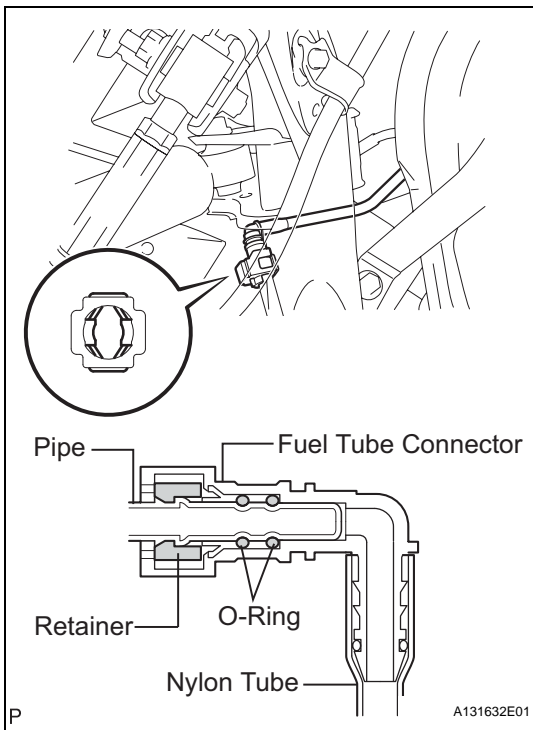
2. INSTALL FUEL TANK FILLER PIPE

- (a) Install the filler pipe with the 2 bolts.
Torque: 23.5 N*m (240 kgf*cm, 17 ft.*lbf)
- (b) Install the filler pipe protector with the 3 bolts.



3. CONNECT FUEL TANK TO FILLER PIPE HOSE

- (a) Connect the filler pipe hose to the fuel tank.



4. CONNECT FUEL TANK BREATHER HOSE

- (a) Connect the fuel tank breather hose to the fuel tank.

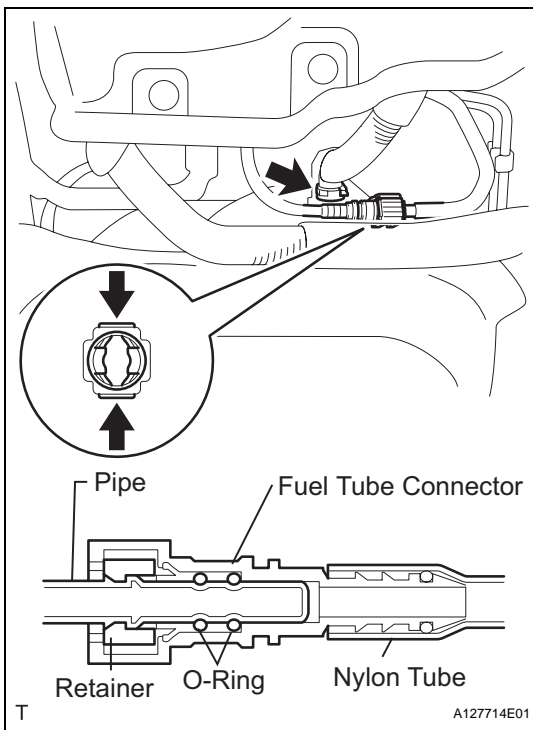
NOTICE:

- Before installing the tube connector to the pipe, check the connector for damage and foreign matter.
- Check that the connector and pipe is securely connected by trying to pull them apart.

5. CONNECT FUEL TANK MAIN TUBE SUB-ASSEMBLY

NOTICE:

Before installing the tube connector to the pipe, check the connector for damage and foreign matter.

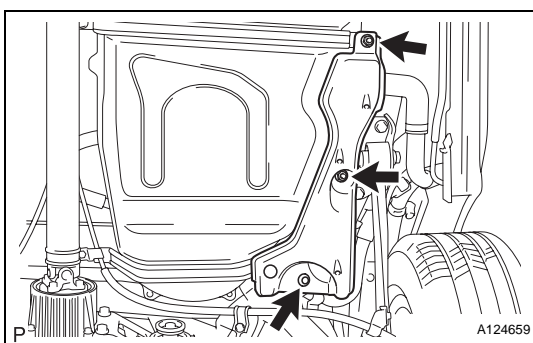


- (a) Connect the main tube connector to the pipe. Push the 2 parts together firmly until a "click" sound is heard.

NOTICE:

Check that the connector and pipe are securely connected by trying to pull them apart.

- (b) Connect the EVAP hose to the fuel tank.

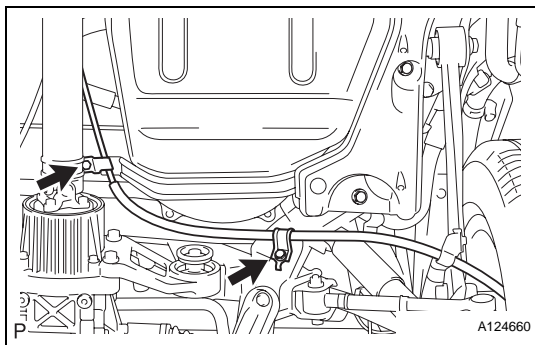


6. INSTALL NO. 1 FLOOR UNDER COVER

- (a) Install the floor cover with the clip and 2 nuts.

7. INSTALL FRONT FLOOR COVER

- (a) Install the floor under cover with the 3 clips, bolt and nut.



8. **INSTALL NO. 2 PARKING BRAKE CABLE ASSEMBLY**
 - (a) Install the parking brake cable with the 2 bolts.
9. **INSTALL FUEL TANK CAP**
10. **CONNECT CABLE TO NEGATIVE BATTERY TERMINAL**
11. **CHECK FOR FUEL LEAKS (See page [FU-14](#))**