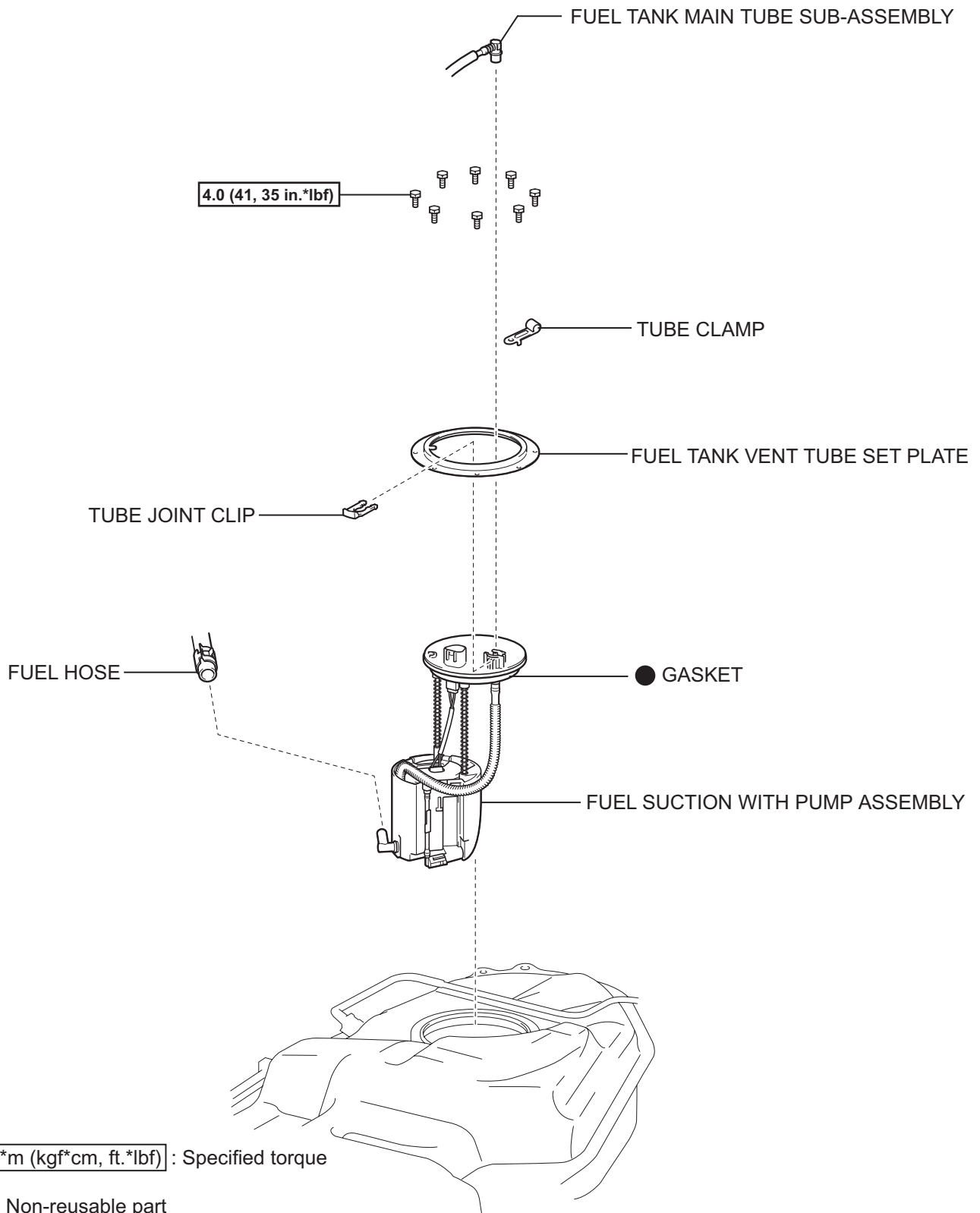


# FUEL PRESSURE REGULATOR

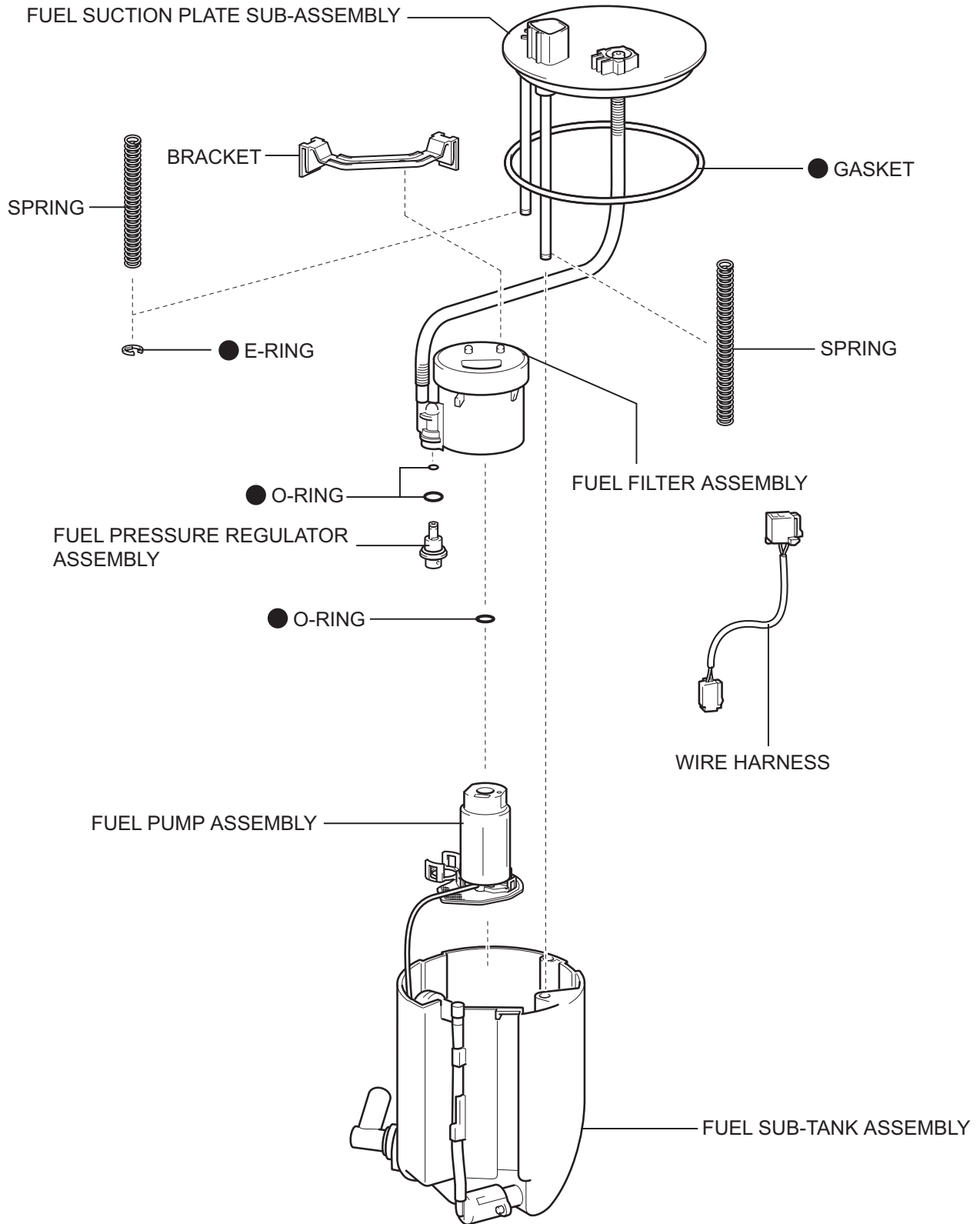
## COMPONENTS



**N\*m (kgf\*cm, ft.\*lbf)** : Specified torque

● Non-reusable part

FU



FU

● Non-reusable part

T