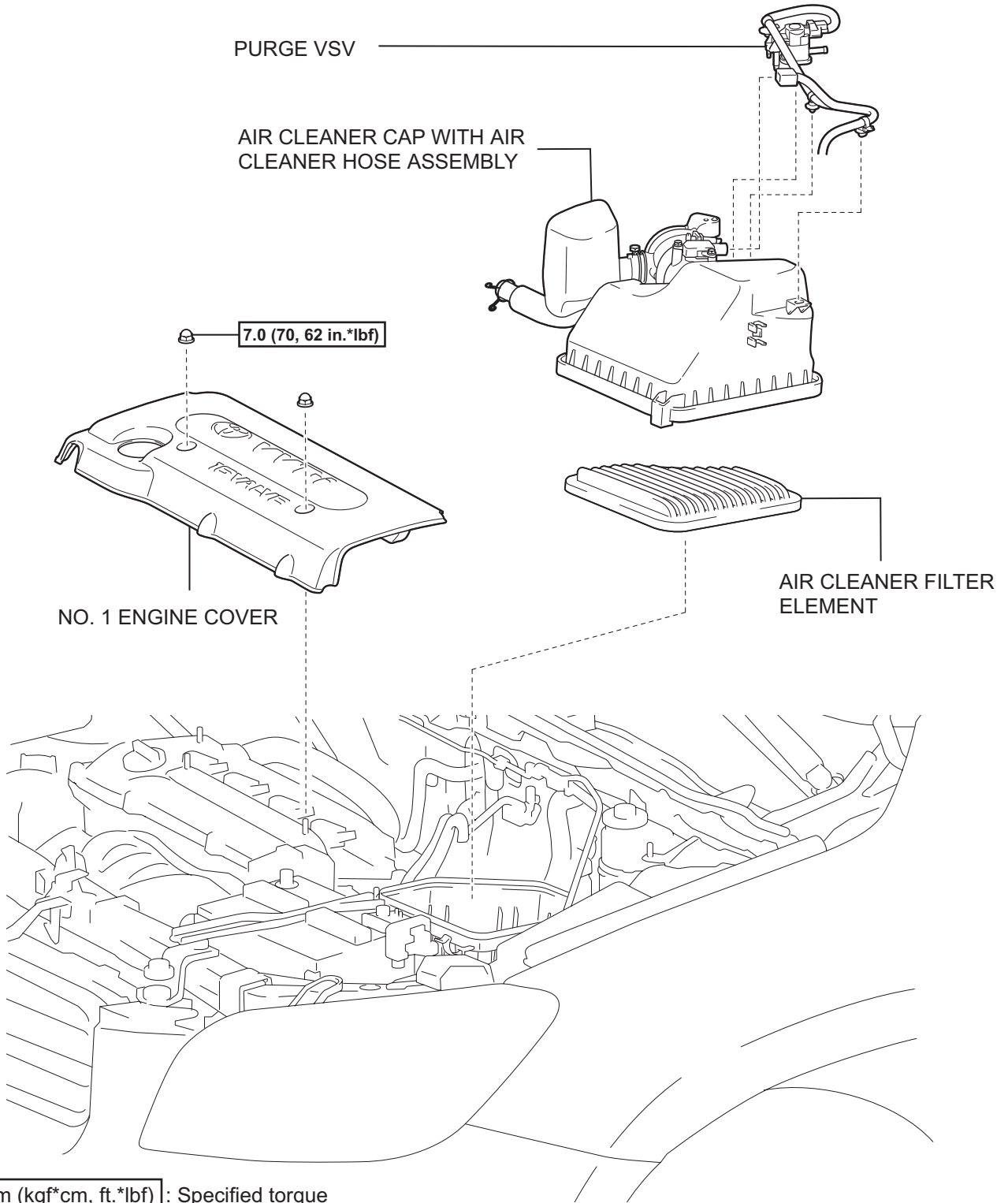


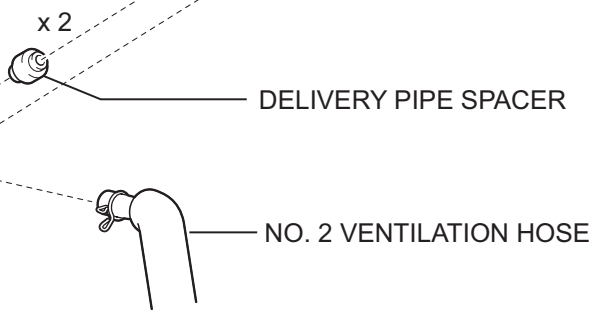
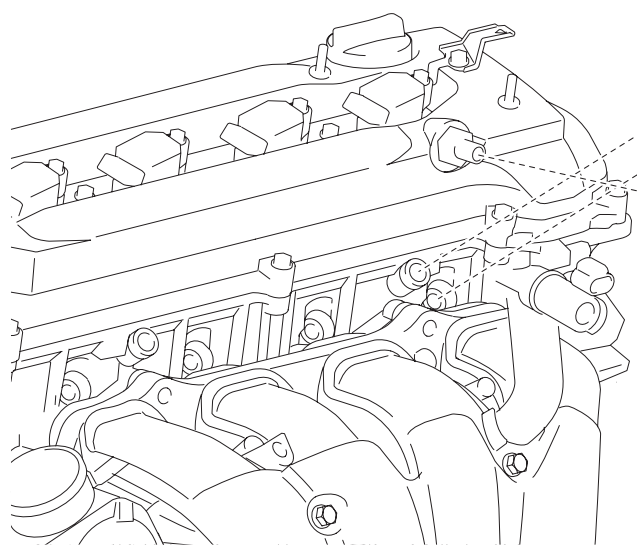
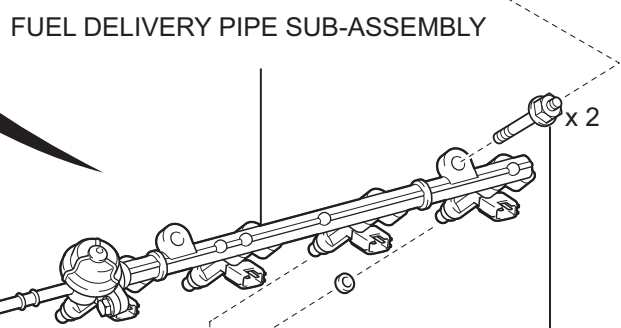
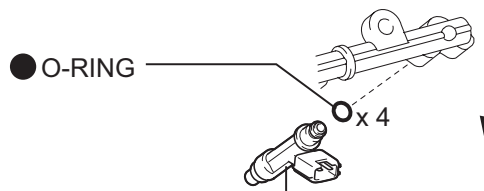
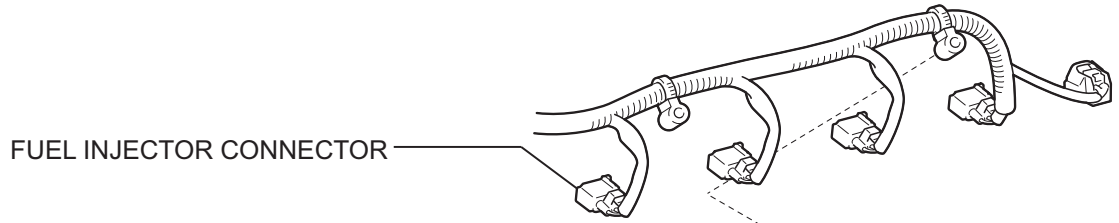
# FUEL INJECTOR COMPONENTS



FU

N\*m (kgf\*cm, ft.\*lbf) : Specified torque

FU



**N\*m (kgf\*cm, ft.\*lbf)** : Specified torque

● Non-reusable part