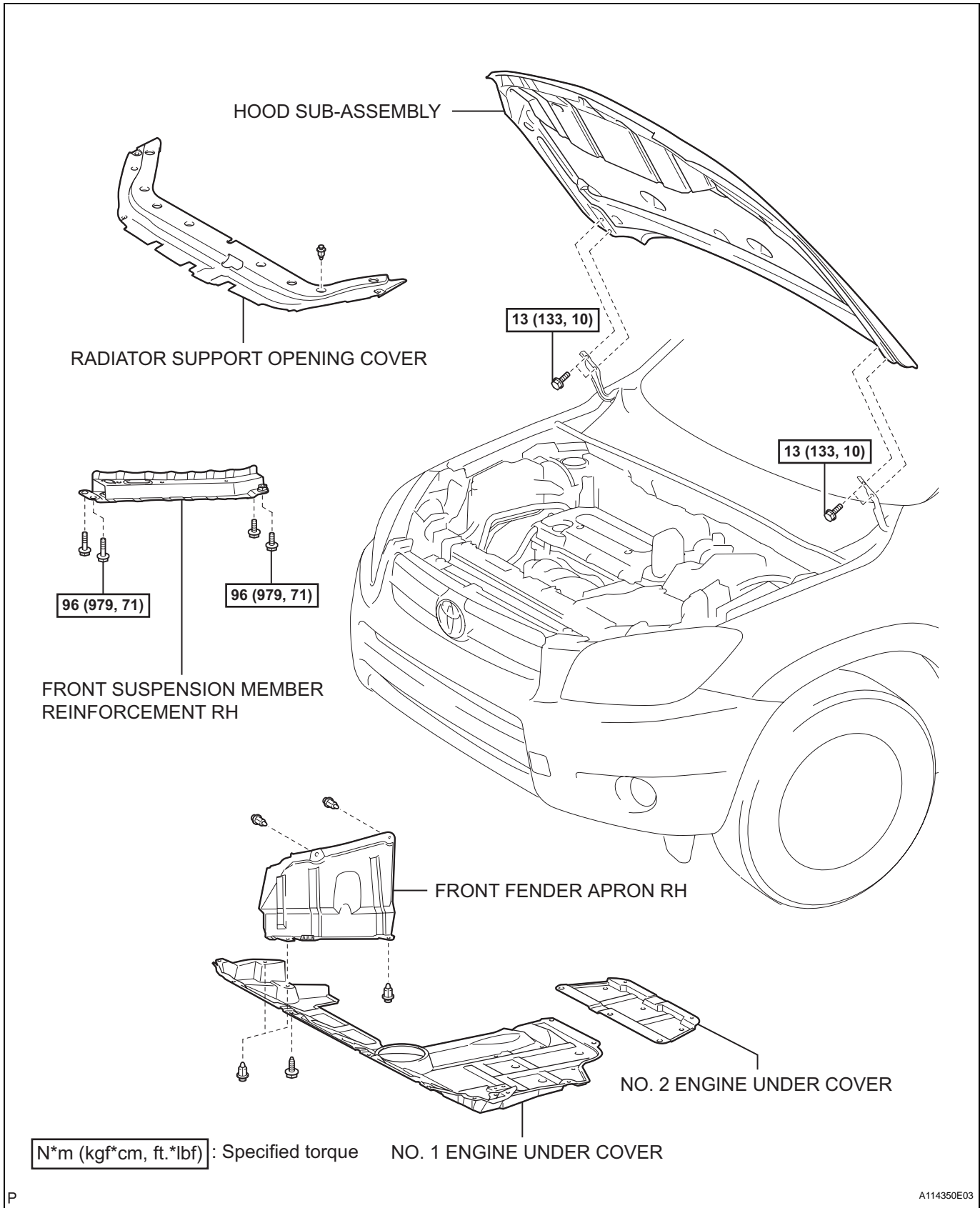
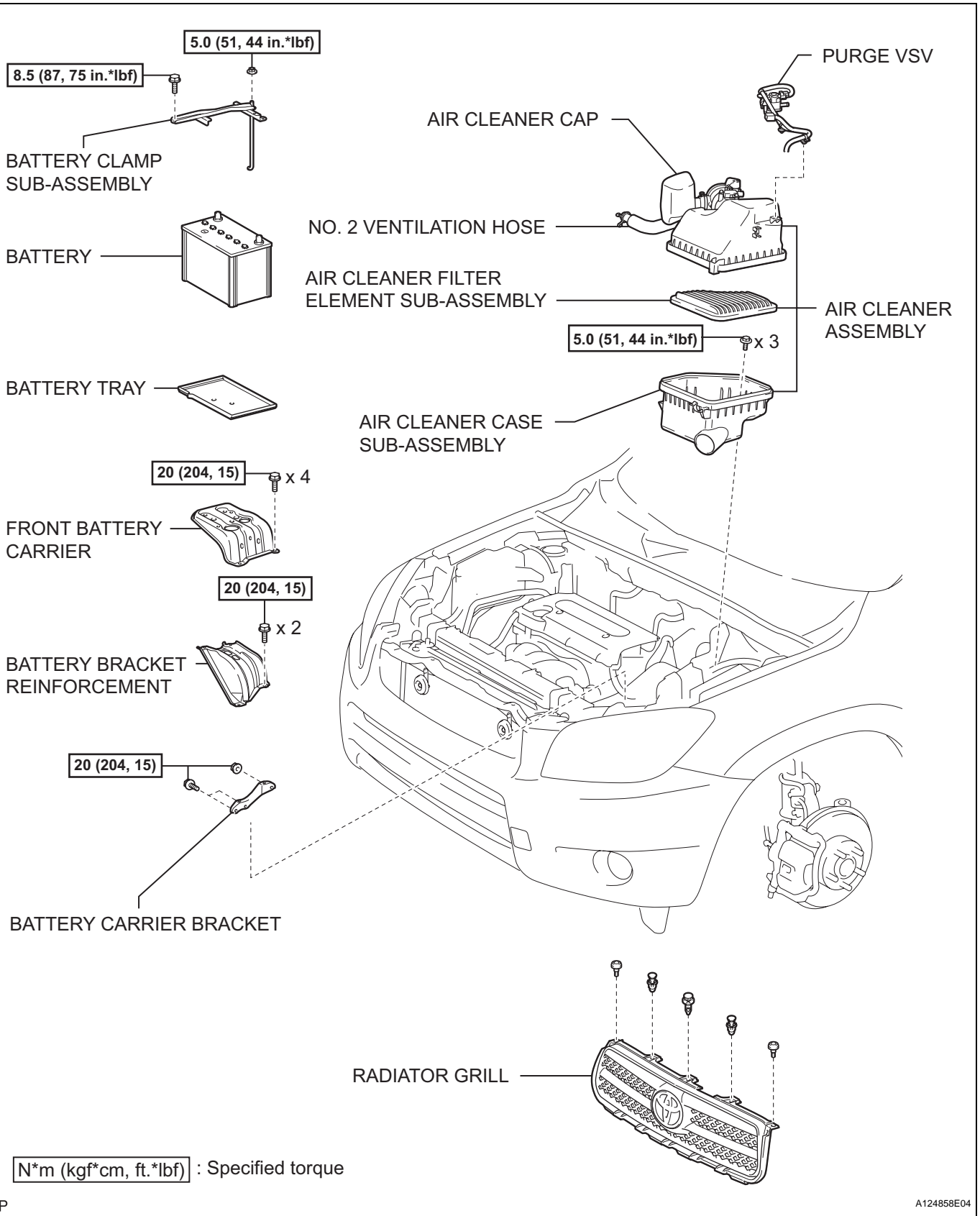


ENGINE ASSEMBLY

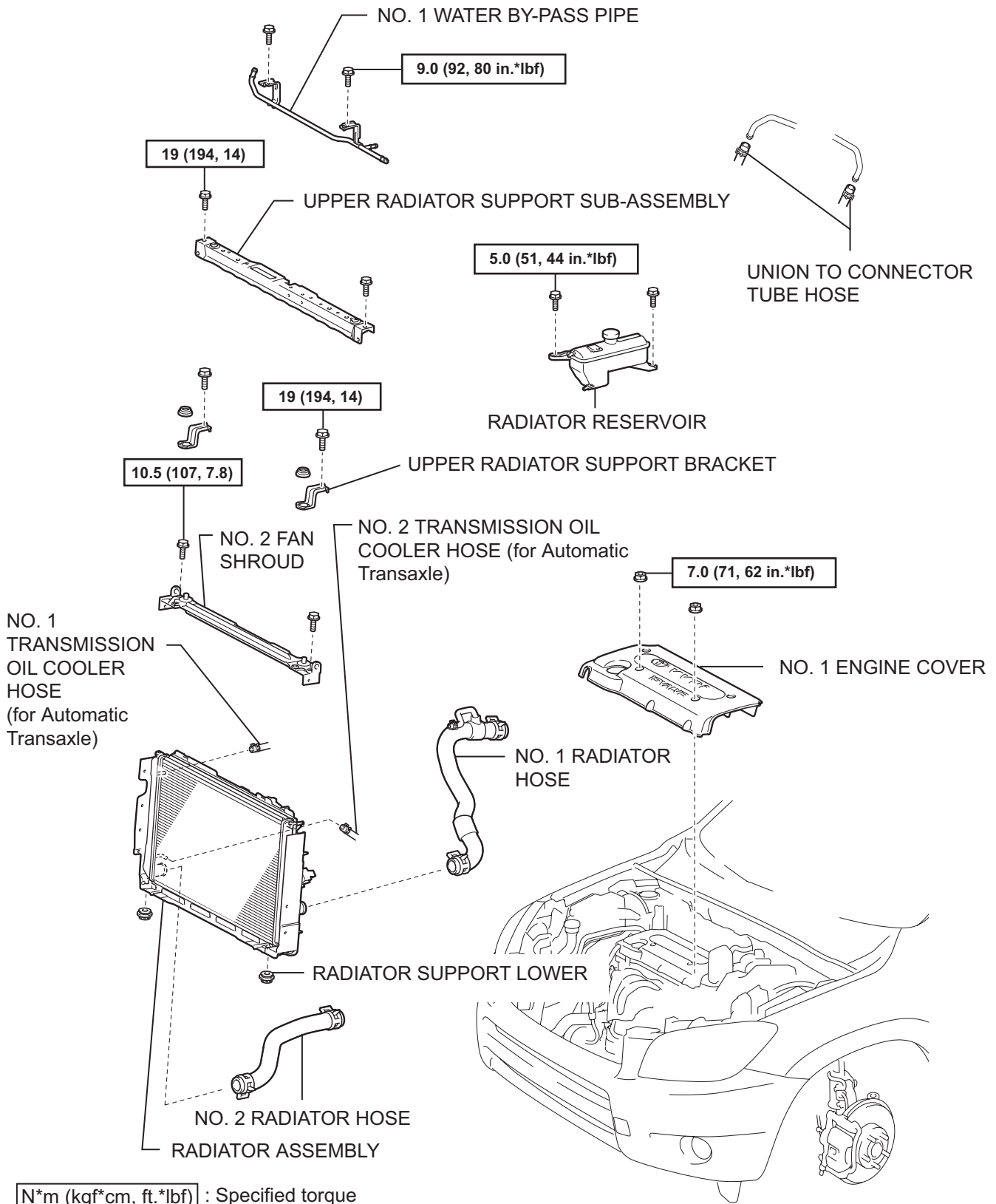
COMPONENTS

EM



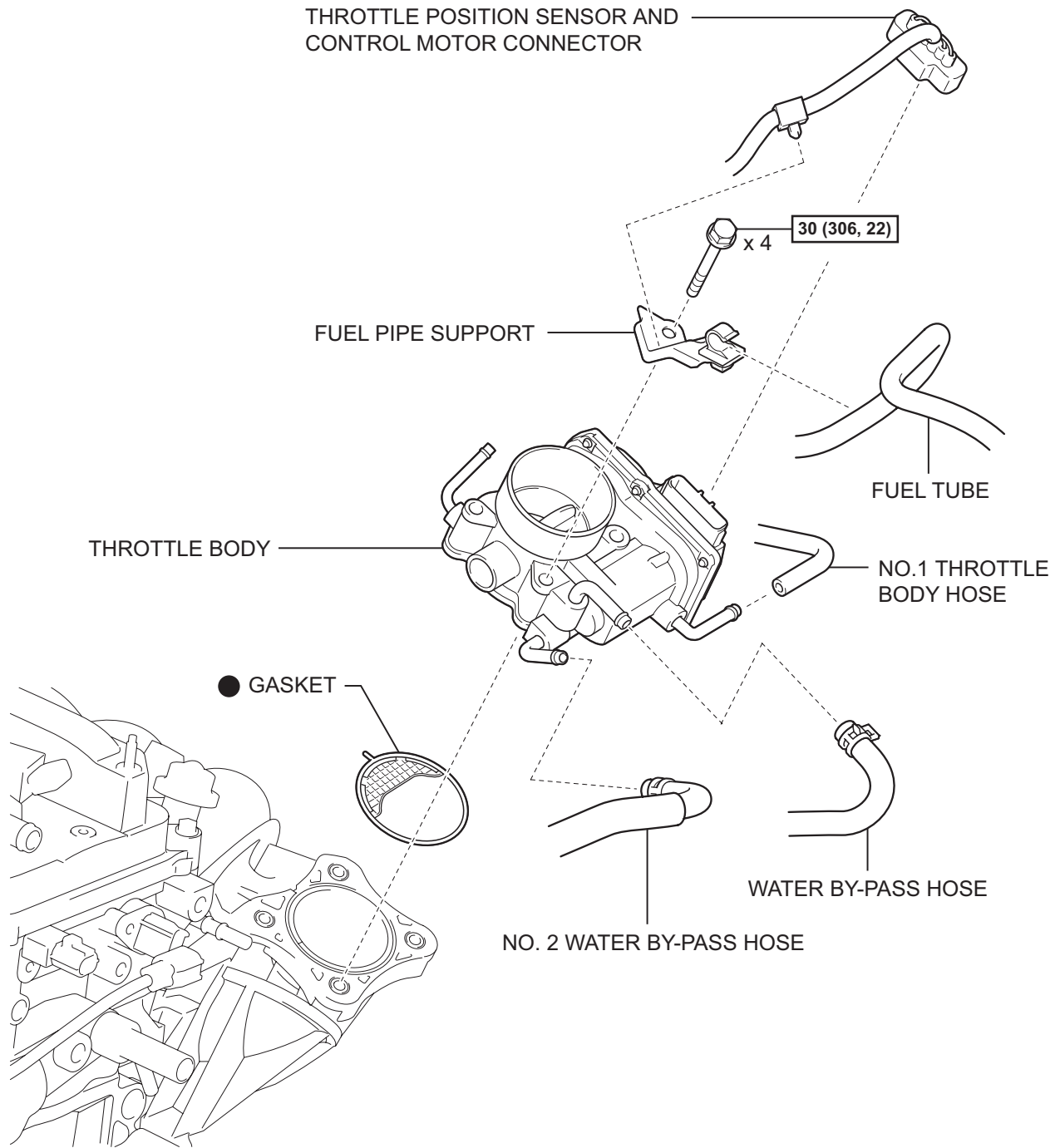


EM



N*m (kgf*cm, ft.*lbf) : Specified torque

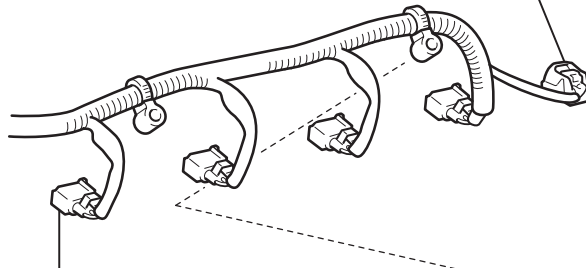
P



N*m (kgf*cm, ft.*lbf) : Specified torque

● Non-reusable part

CAMSHAFT TIMING OIL CONTROL VALVE CONNECTOR



FUEL INJECTOR CONNECTOR

FUEL DELIVERY PIPE SUB-ASSEMBLY

20 (204, 15)

x 2

FUEL TUBE

x 4

● INJECTOR VIBRATION INSULATOR

FUEL TUBE CLAMP

x 2

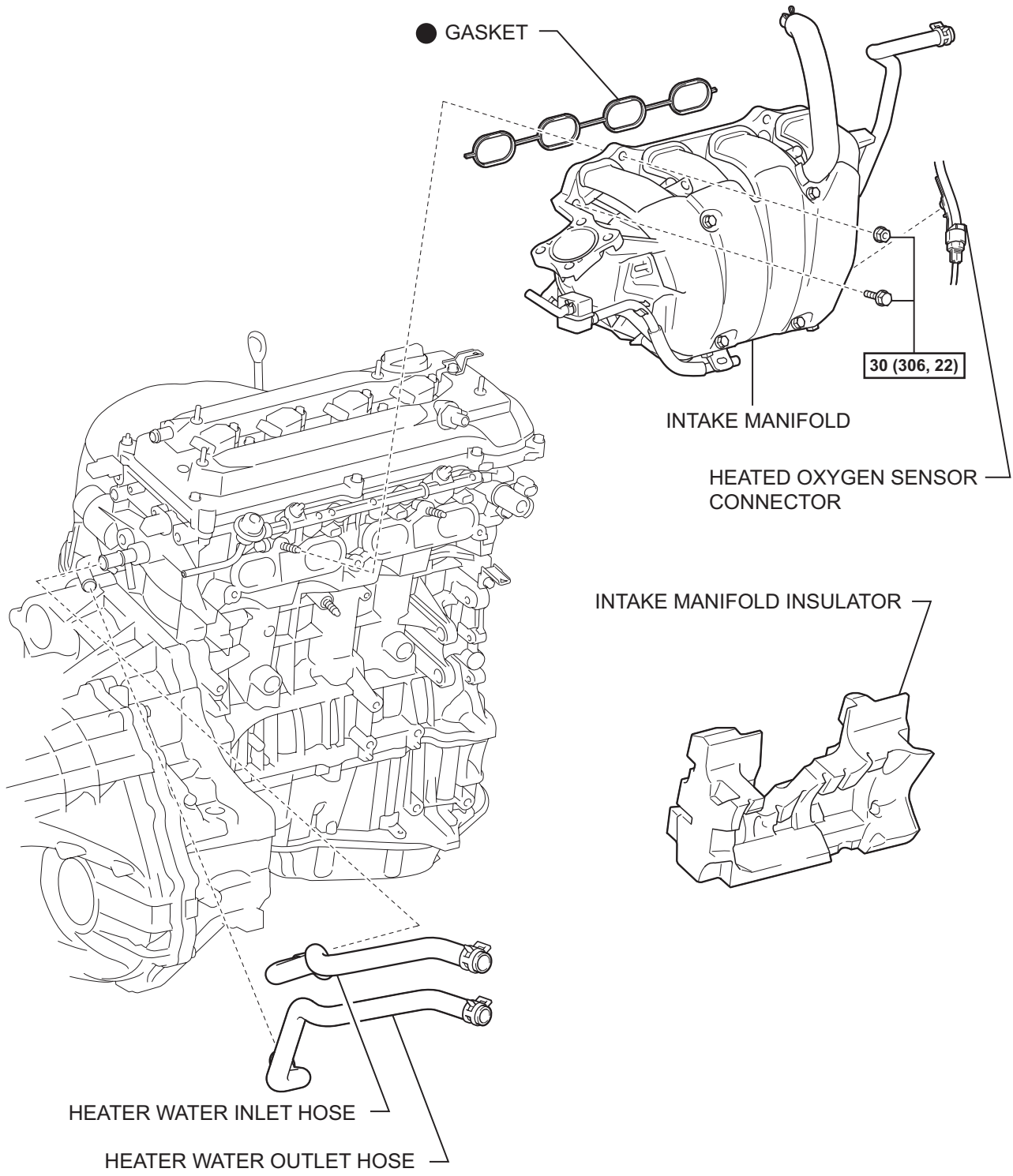
NO. 1 DELIVERY PIPE SPACER

NO. 2 VENTILATION HOSE

N*m (kgf*cm, ft.*lbf) : Specified torque

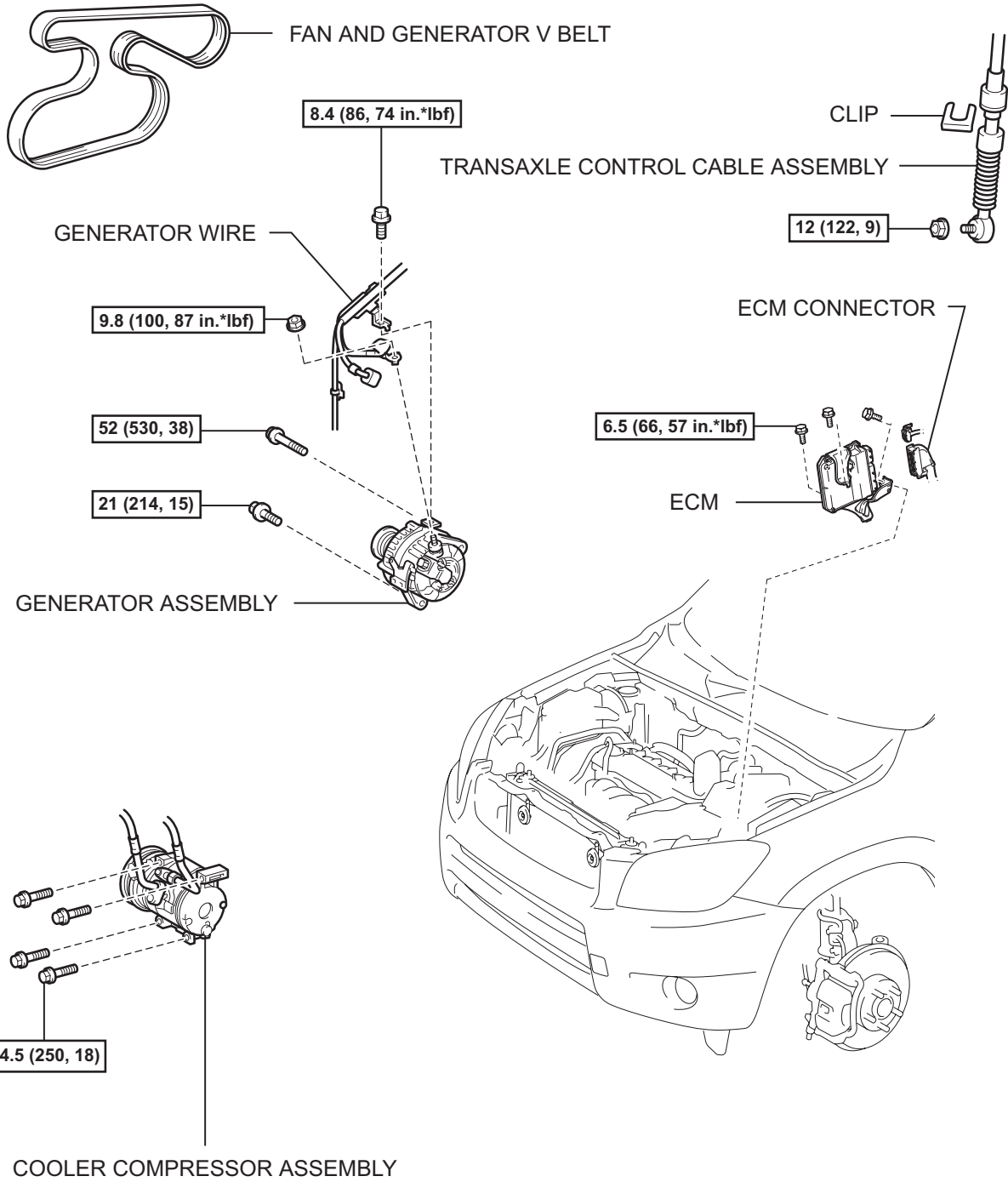
● Non-reusable part

EM



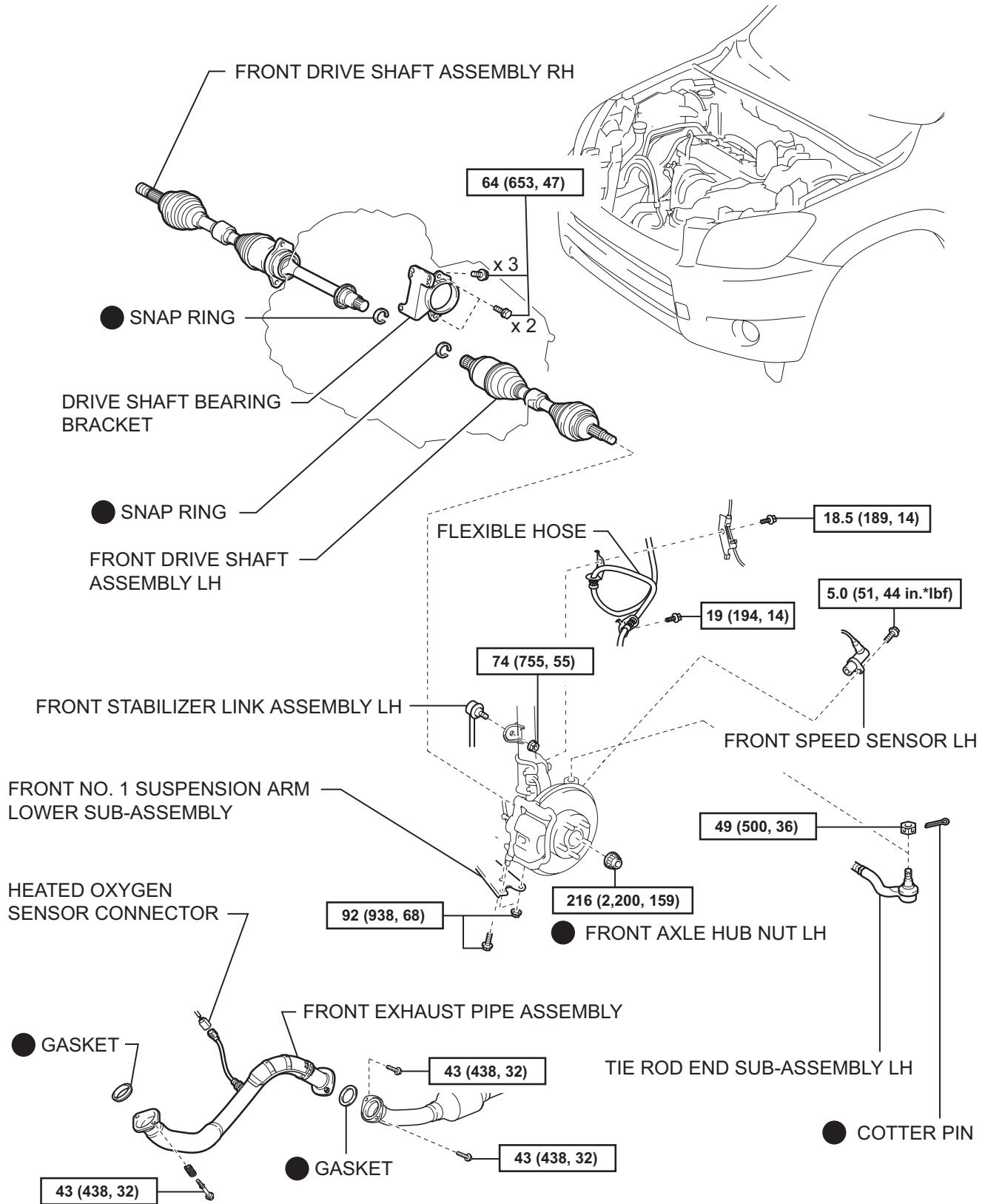
N*m (kgf*cm, ft.*lbf) : Specified torque

● Non-reusable part



EM

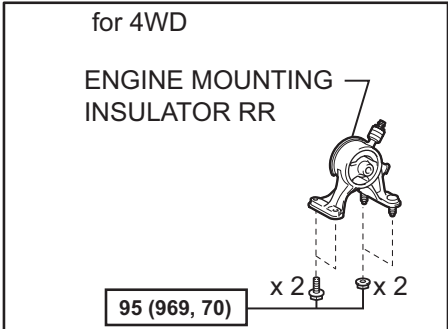
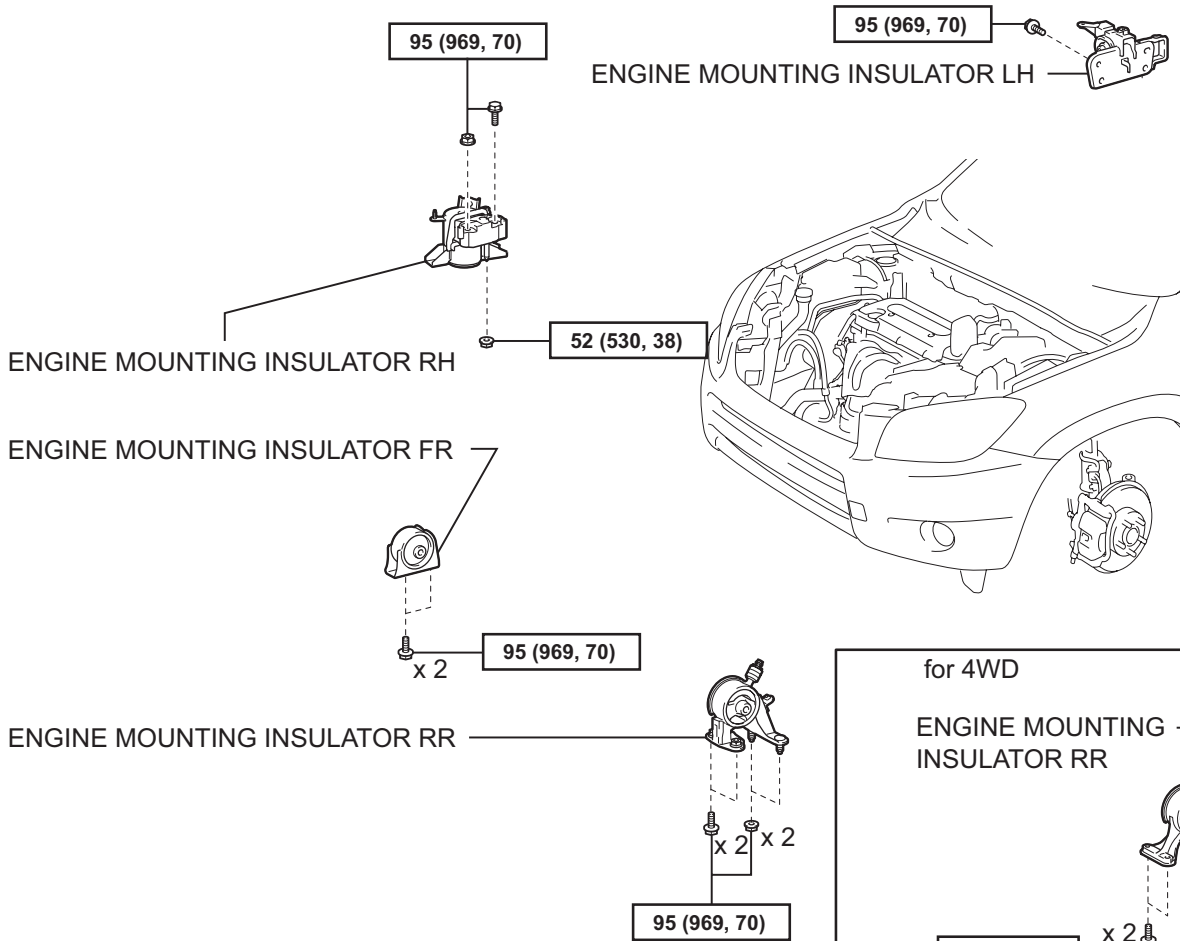
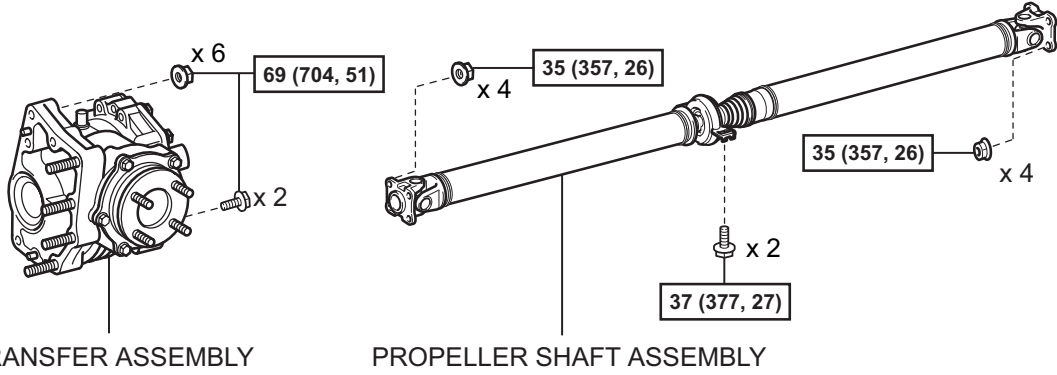
N*m (kgf*cm, ft.*lbf) : Specified torque



N*m (kgf*cm, ft.*lbf) : Specified torque

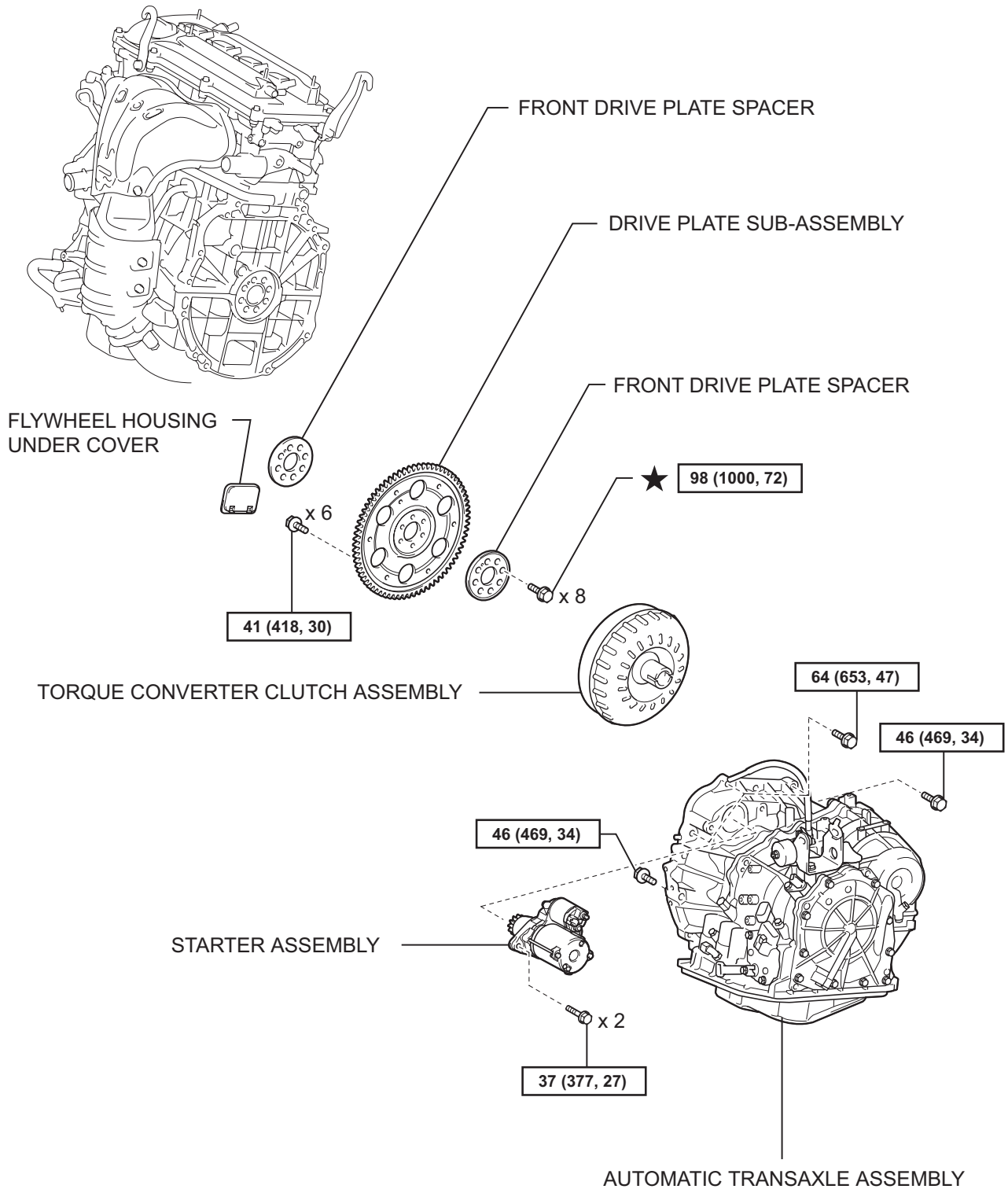
● Non-reusable part

for 4WD



N*m (kgf*cm, ft.*lbf) : Specified torque

EM



N*m (kgf*cm, ft.*lbf) : Specified torque

★ Precoated part