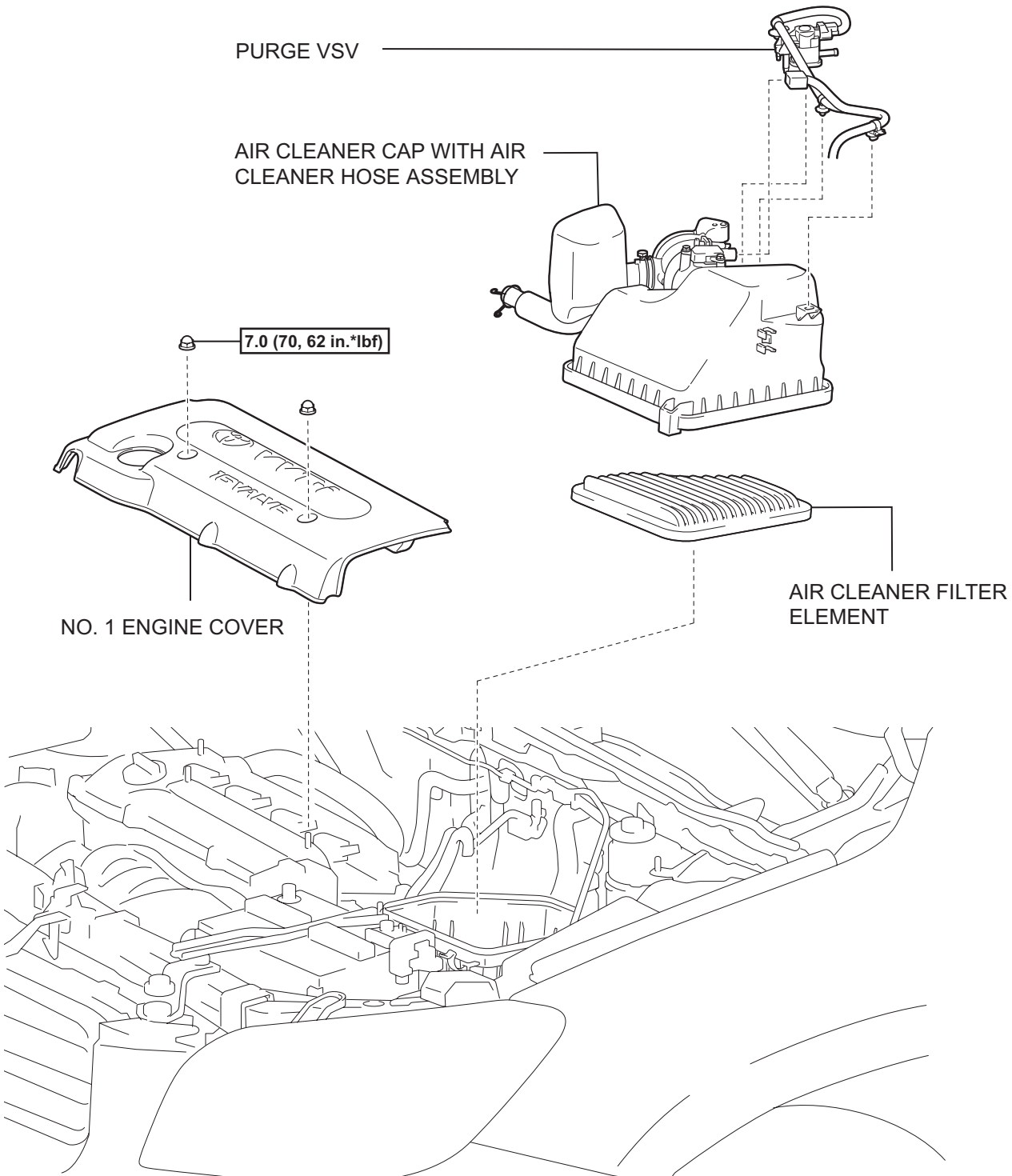


THROTTLE BODY

COMPONENTS

ES



N*m (kgf*cm, ft.*lbf) : Specified torque

