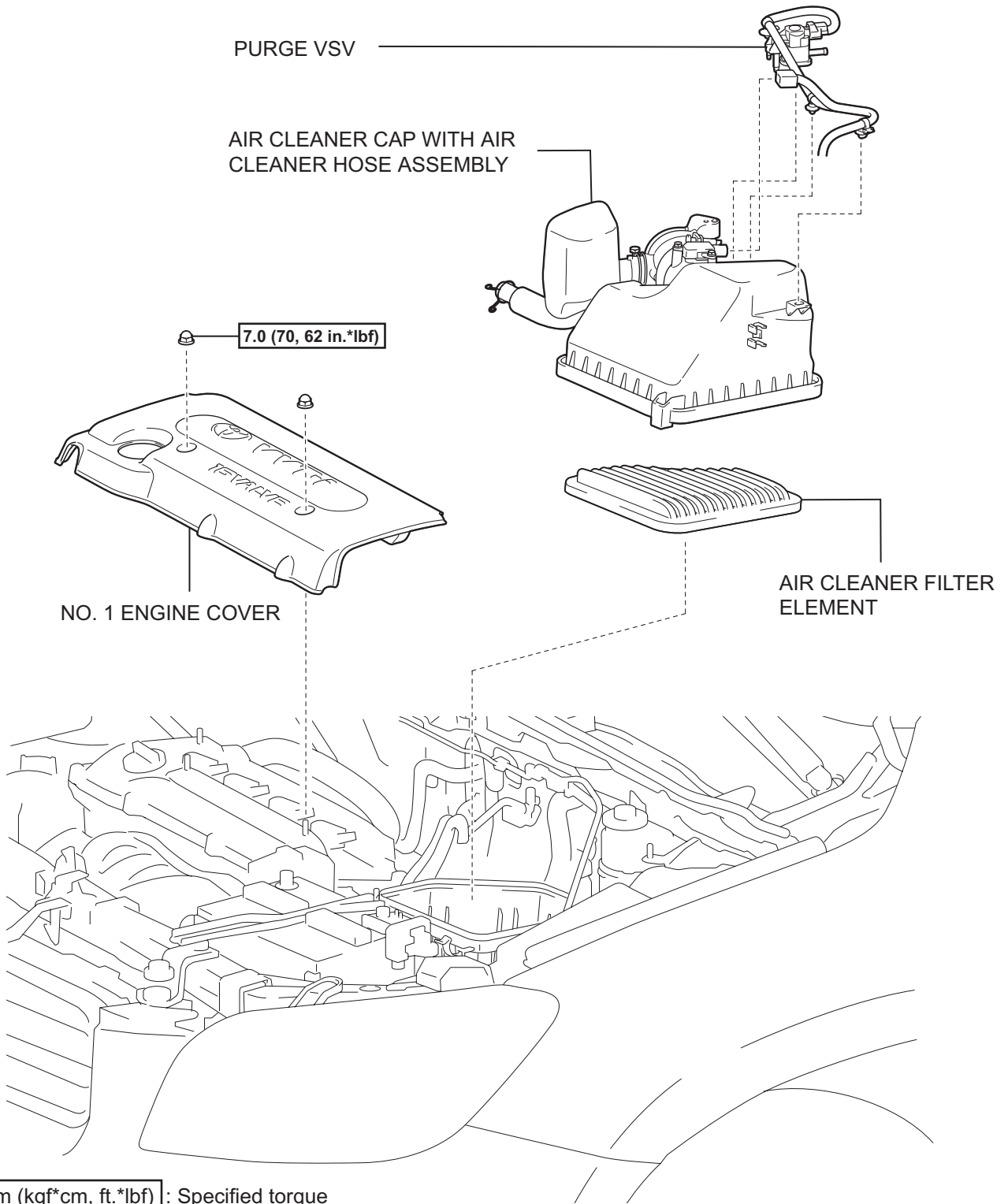


# KNOCK SENSOR

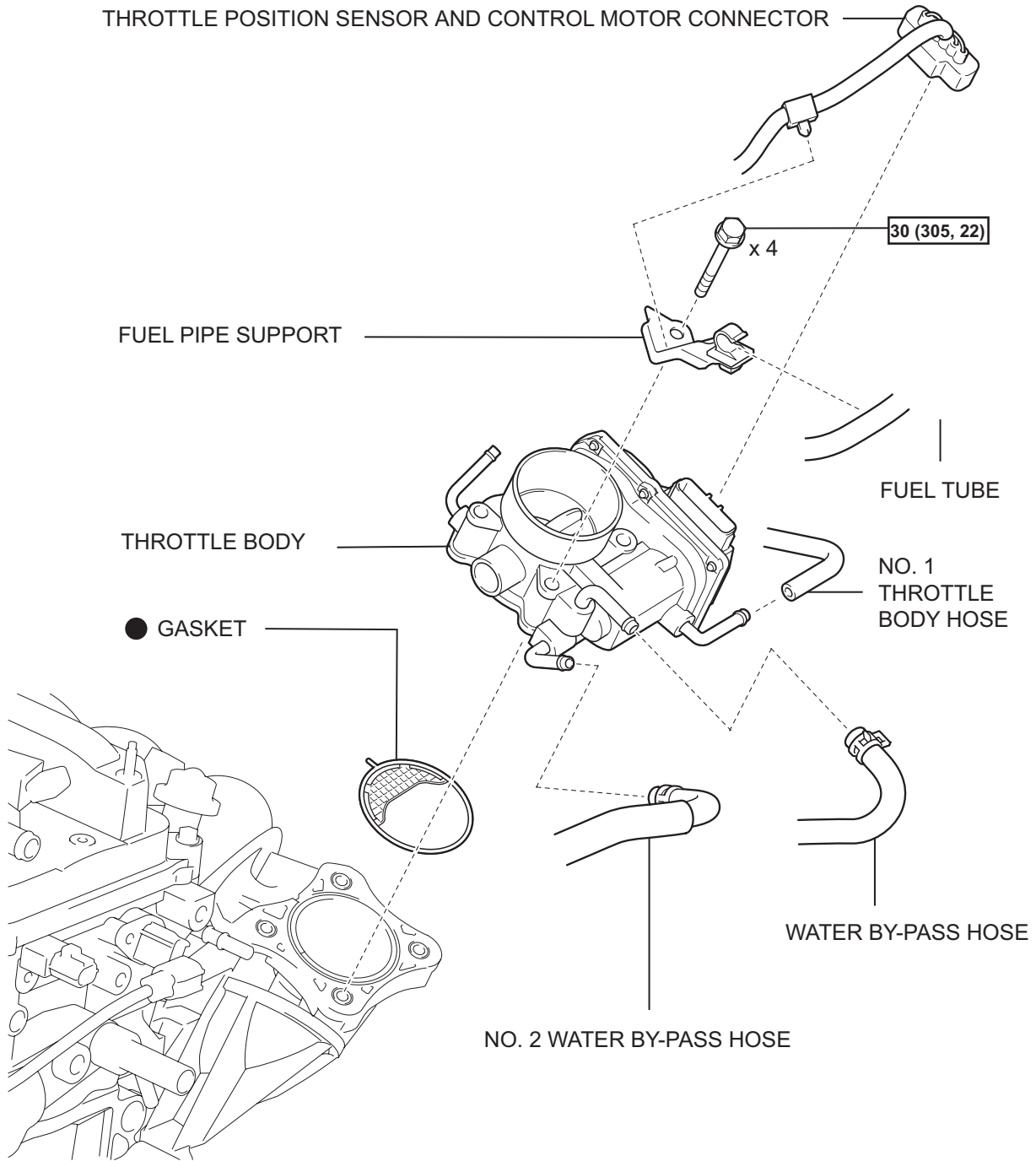
## COMPONENTS



ES

N\*m (kgf\*cm, ft.\*lbf) : Specified torque

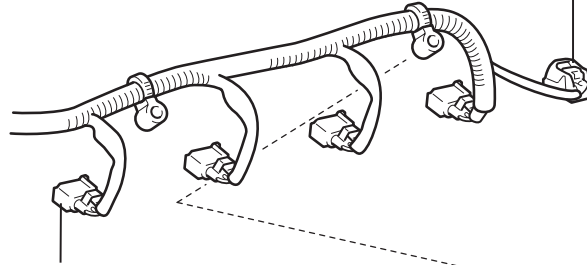
ES



**N\*m (kgf\*cm, ft.\*lbf)** : Specified torque

● Non-reusable part

CAMSHAFT TIMING OIL CONTROL VALVE CONNECTOR



FUEL INJECTOR CONNECTOR

FUEL DELIVERY PIPE

FUEL TUBE



FUEL TUBE CLAMP

20 (205, 15)

x 2

x 4

● INJECTOR VIBRATION INSULATOR

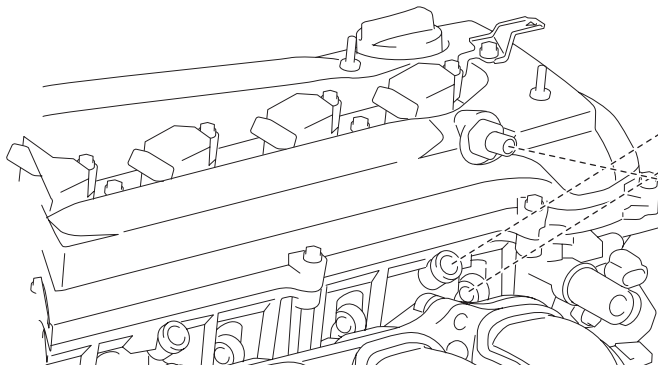
x 2

NO. 1 DELIVERY PIPE SPACER

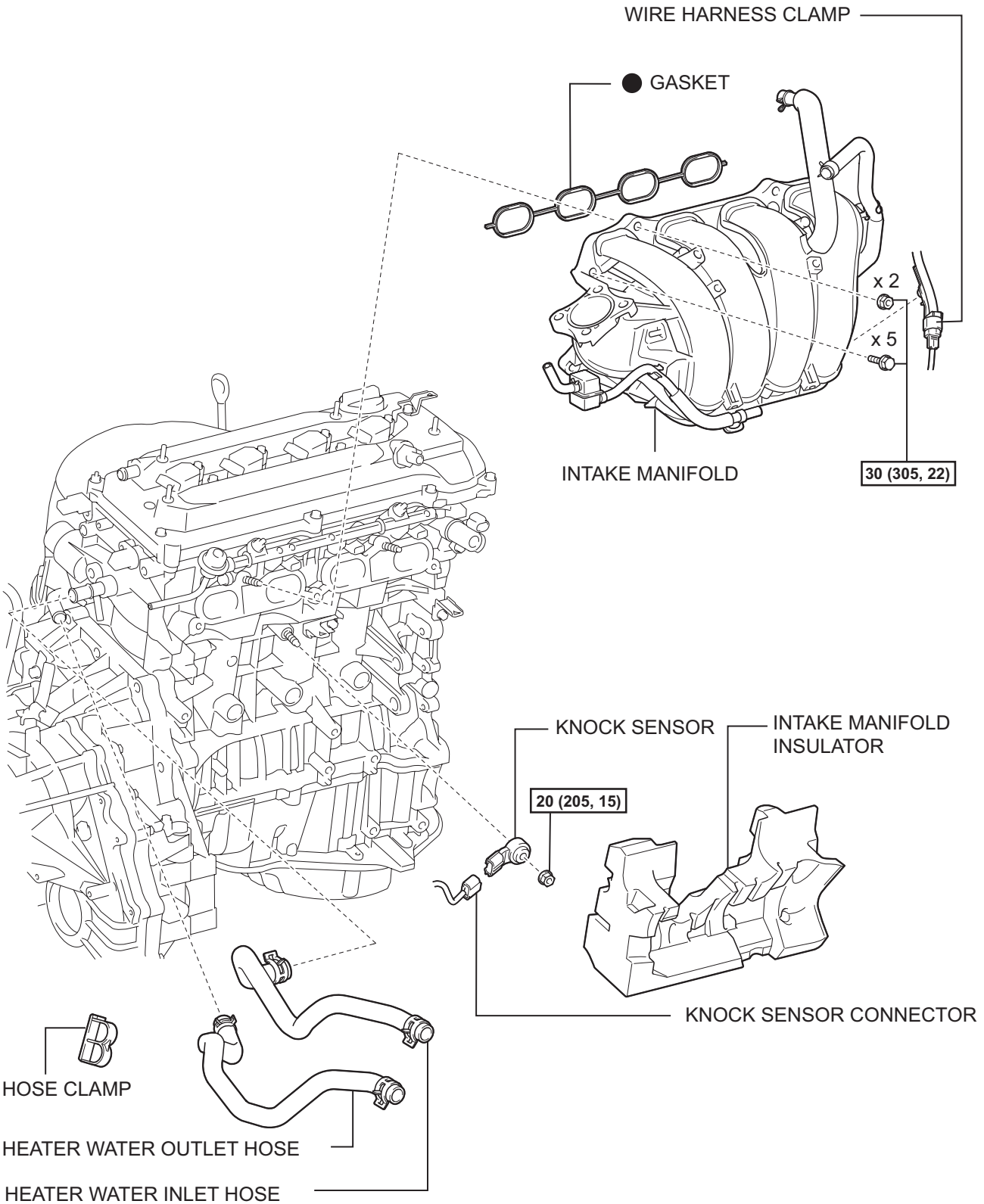
NO. 2 VENTILATION HOSE

**N\*m (kgf\*cm, ft.\*lbf)** : Specified torque

● Non-reusable part



ES



**N\*m (kgf\*cm, ft.\*lbf)** : Specified torque

● Non-reusable part