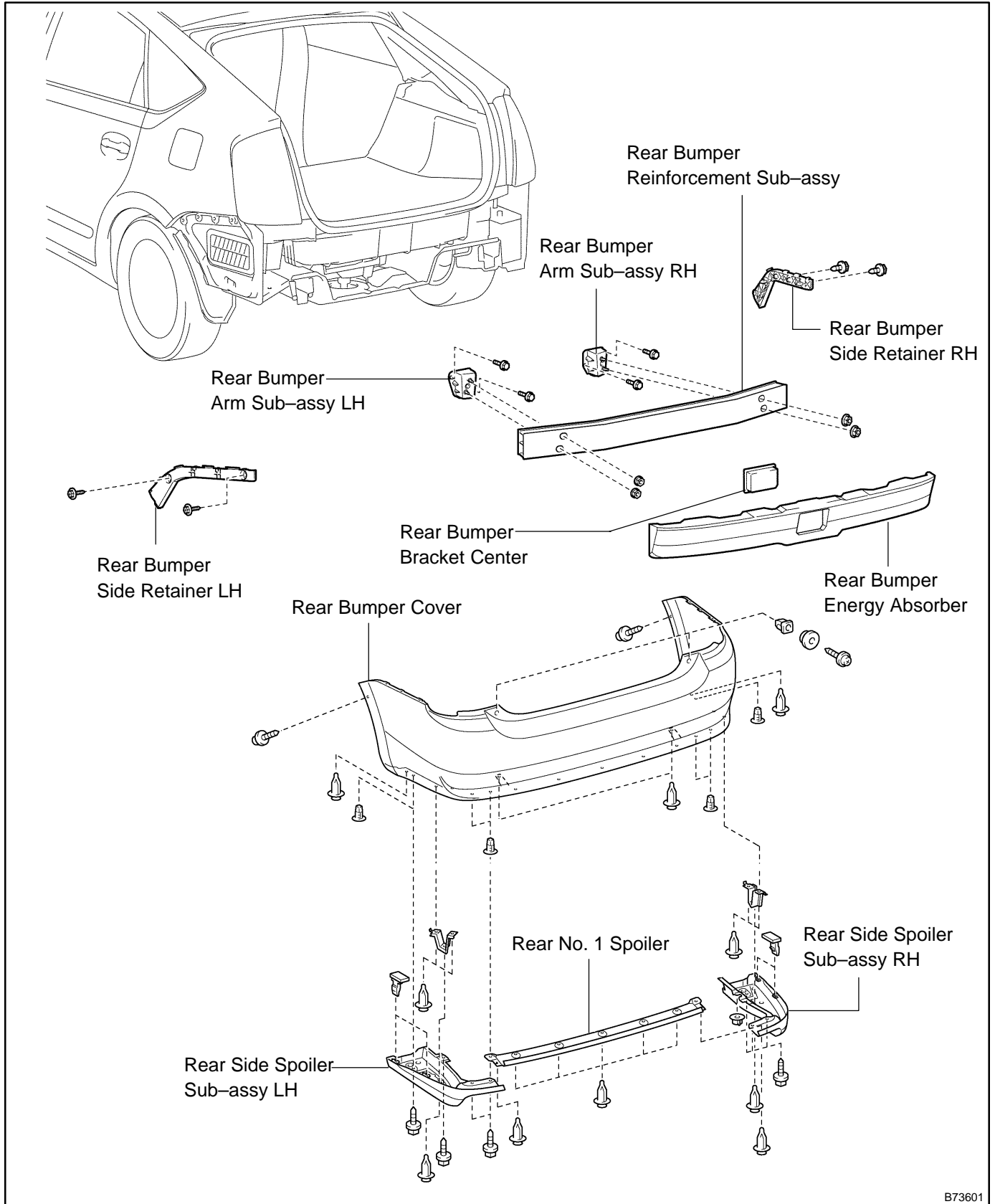


REAR BUMPER COMPONENTS

7616K-01



B73601