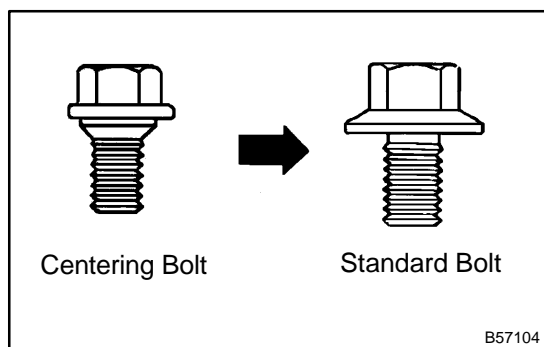


ADJUSTMENT

HINT:

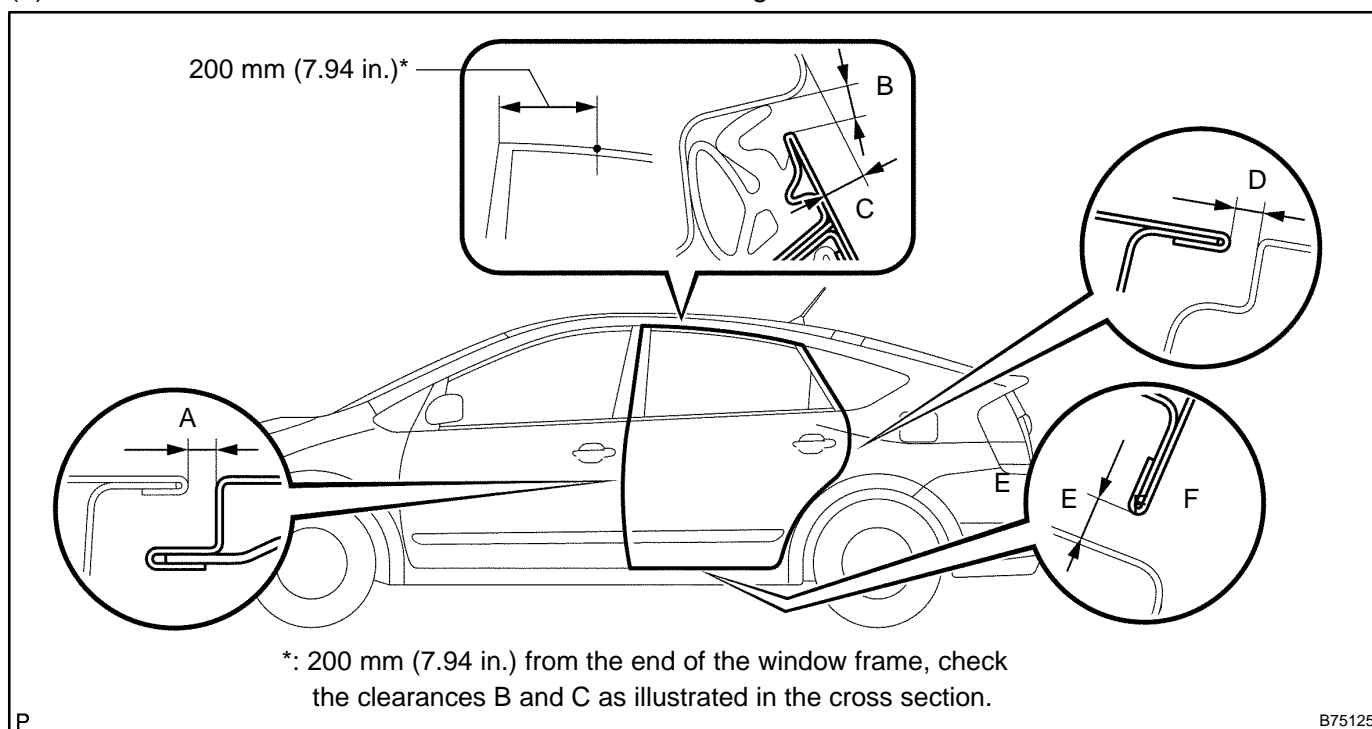
- Before adjusting the door position for vehicles equipped with side airbags and curtain shield airbags, be sure to disconnect the battery. After adjustment, inspect the SRS warning lamp, side airbag system and the curtain shield airbag system for normal operation (see page 05-1397). Then initialize both systems (see page 01-28).
- Use the same procedure for the RH side and LH side.
- The procedures listed below are for the LH side.



- Centering bolts are used to mount the door hinge to the vehicle body and door. The door cannot be adjusted with the centering bolts on. Substitute the centering bolts with standard bolts (w/ washers) when making adjustments.
- A bolt without a torque specification is shown in the standard bolt chart (see page 03-2).

1. INSPECT REAR DOOR SUB-ASSY

- (a) Check that the clearance is within the standard range.



Standard:

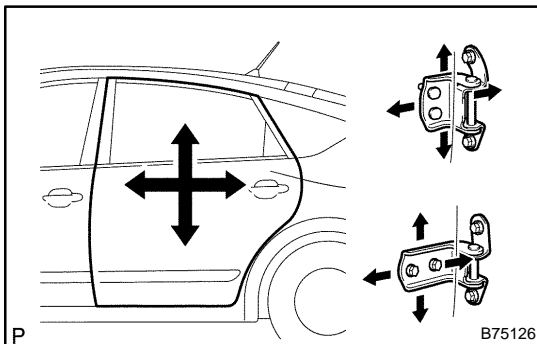
Area	Measurement	Area	Measurement
A	4.0 ± 1.5 mm (0.157 ± 0.059 in.)	D	4.0 ± 1.5 mm (0.157 ± 0.059 in.)
B	5.2 ± 1.5 mm (0.205 ± 0.059 in.)	E	5.7 ± 1.5 mm (0.224 ± 0.220 in.)
C	6.6 ± 1.5 mm (0.260 ± 0.059 in.)	-	-

2. ADJUST REAR DOOR SUB-ASSY

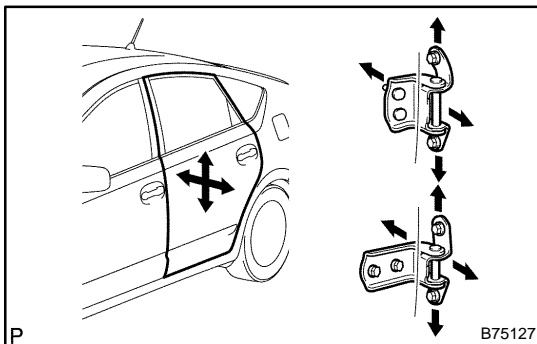
- (a) Disconnected the negative (-) terminal cable from the battery.

CAUTION:

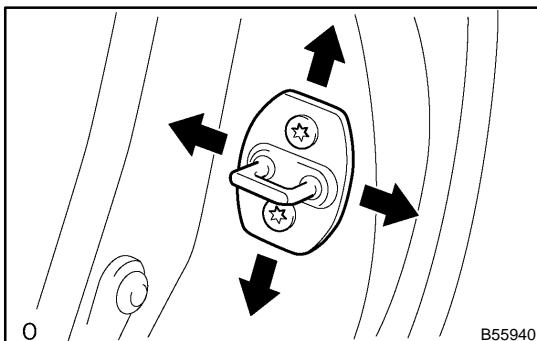
Work must be started at least 90 seconds after the power switch's power mode is changed to OFF and the negative (-) terminal cable is disconnected from the battery. (The SRS is equipped with a back-up power source. If work is started within 90 seconds of disconnecting the negative (-) terminal battery and power switch's power mode is changed to OFF, the SRS may deploy.)



- (b) Adjust the door horizontally and front/rear ward by loosening the body side hinge bolts.
 (c) Tighten the body side hinge bolts after the adjustment.
Torque: 26 N·m (265 kgf·cm, 19 ft·lbf)



- (d) Horizontally and vertically adjust the door by loosening the door side hinge bolts.
 (e) Tighten the door side hinge bolts after the adjustment.
Torque: 26 N·m (265 kgf·cm, 19 ft·lbf)



- (f) Adjust the striker position by slightly loosening the striker mounting screws and hitting the striker with a plastic-faced hammer.
 (g) Tighten the striker mounting screws after the adjustment.
Torque: 23 N·m (235 kgf·cm, 17 ft·lbf)
 (h) Connect the negative (-) terminal cable to the battery.
 (i) Initialize both systems (see page 01-28).
 (j) Check the SRS warning lamp (see page 05-1397).