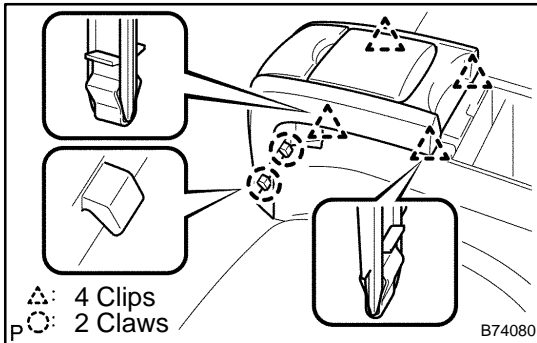


CONSOLE BOX SUB-ASSY REAR REPLACEMENT

710LP-01

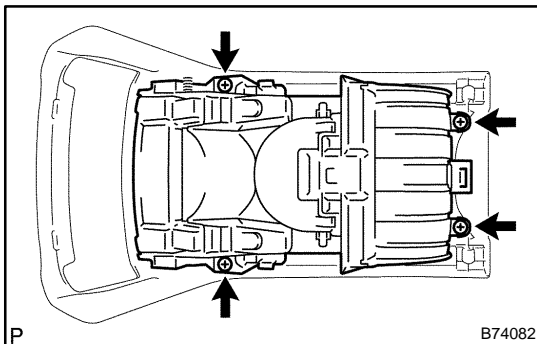
HINT:

- Installation is in the reverse order of removal.
- COMPONENTS: SEE PAGE 71-1



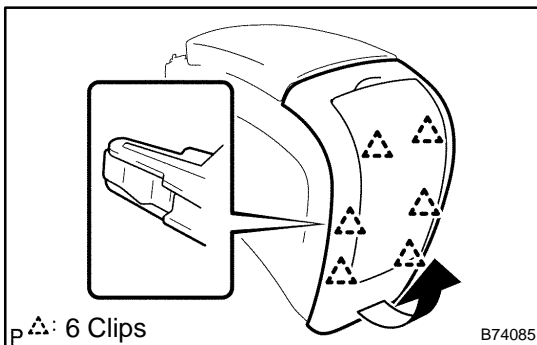
1. REMOVE CONSOLE PANEL SUB-ASSY UPPER

- Pull the console panel sub-assy upper upwards and then disengage the 2 claws.
- Disengage the 4 clips and then remove the console panel sub-assy upper.



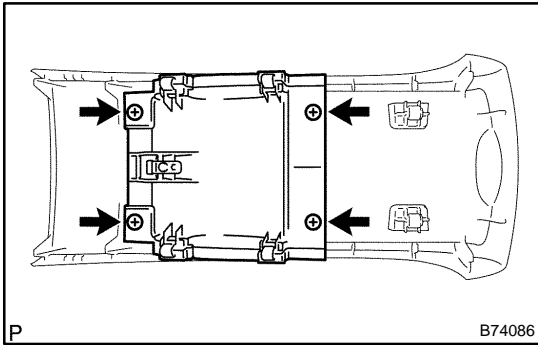
- (1) Remove the 4 screws and then the installment panel cup holder.

2. REMOVE CONSOLE BOX POCKET
3. REMOVE CONSOLE BOX CARPET

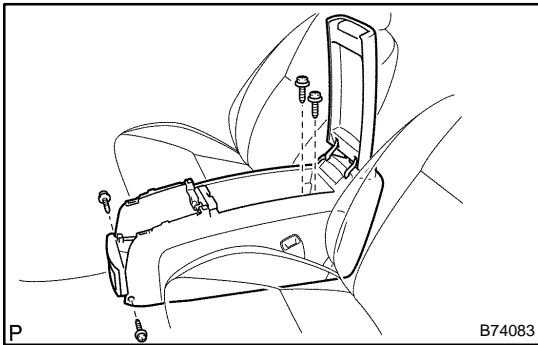


4. REMOVE CONSOLE REAR END PANEL SUB-ASSY

- Pull up the console rear end panel sub-assy in the direction indicated by the arrow to disengage the 6 clips, and remove.



- (1) Remove the 4 screws and then the rear console box cup holder.



5. REMOVE CONSOLE BOX ASSY RR

- (a) Remove the 2 screws, the 2 bolts, and then the console box assy RR.

6. REMOVE INSTRUMENT PANEL WIRE NO.4

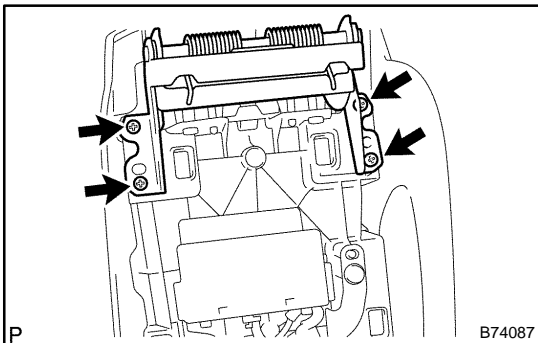
7. REMOVE POWER POINT SOCKET ASSY RR (SEE PAGE 67-31)

8. REMOVE POWER OUTLET SOCKET COVER RR

9. REMOVE CONSOLE COMPARTMENT DOOR SUB-ASSY REAR

HINT:

While the console compartment door sub-assy rear is part of the console box RR, it may be replaced on its own. Refer to the procedure below when removing.



- (a) Remove the 4 screws and then the console compartment door sub-assy rear.

NOTICE:

If the screws are removed while the door is closed, the hinge spring may cause the screws to fly out. Because of this, be sure to remove the screws while the door is open.