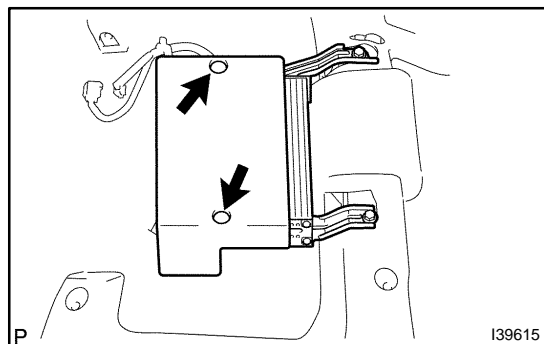


STEREO COMPONENT AMPLIFIER ASSY REPLACEMENT

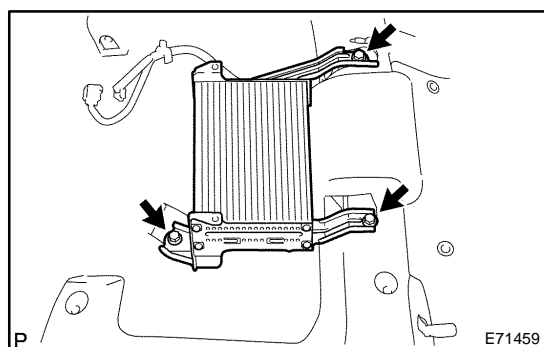
6716Y-01

HINT:

- COMPONENTS: See page [67-2](#)
 - Installation is in the reverse order of removal.
1. REMOVE FRONT SEAT ASSEMBLY RH (SEE PAGE [72-2](#))



2. REMOVE AUDIO AMPLIFIER COVER
 - (a) Remove the 2 clips and audio amplifier cover.



3. REMOVE STEREO COMPONENT AMPLIFIER ASSY
 - (a) Disconnect each connector.
 - (b) Remove the 3 bolts and stereo component amplifier assy.

4. INSTALL FRONT SEAT ASSEMBLY RH (SEE PAGE [72-2](#))