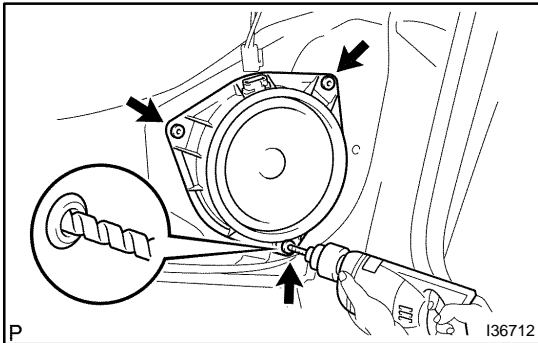


# FRONT NO.1 SPEAKER ASSY REPLACEMENT

67161-01

## HINT:

- COMPONENTS: See page 67-2
  - Use the same procedures for the RH side and LH side.
  - The procedures listed below are for the LH side.
  - Installation is in the reverse order of removal.
1. REMOVE FRONT DOOR INSIDE HANDLE BEZEL LH (SEE PAGE 75-9)
  2. REMOVE FRONT DOOR LOWER FRAME BRACKET GARNISH LH (SEE PAGE 75-9)
  3. REMOVE DOOR PULL HANDLE (SEE PAGE 75-9)
  4. REMOVE FRONT ARMREST BASE PANEL UPPER LH (SEE PAGE 75-9)
  5. REMOVE FRONT DOOR GLASS WEATHERSTRIP INNER LH (SEE PAGE 75-9)
  6. REMOVE FRONT DOOR TRIM BOARD SUB-ASSY LH (SEE PAGE 75-9)



## 7. REMOVE FRONT NO.1 SPEAKER ASSY

- (a) Disconnect the connector.
- (b) Drill out the 3 rivet heads using a drill with a bit diameter of less than 4 mm (0.16 in.), and remove the front No.1 speaker assy from the front door panel.
- (c) Operate the drill along the rivet head circumference and cut out the flange.

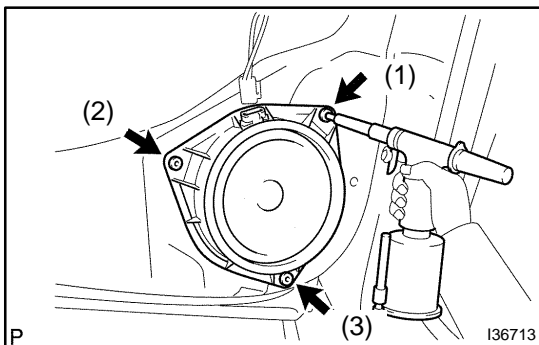
### NOTICE:

**Prying the rivet using a drill may scratch the rivet hole or break the drill bit.**

### CAUTION:

**Be careful. The cut rivet is very hot.**

- (d) After drilling out the flange, continue drilling to push out the shards on the drill.
- (e) Using a vacuum cleaner, remove the holed rivet and foreign matter from the front door panel.

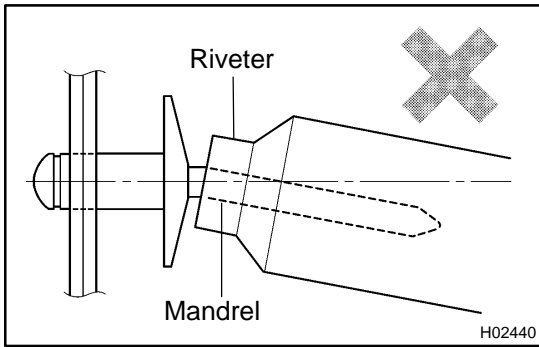


## 8. INSTALL FRONT NO.1 SPEAKER ASSY

- (a) Using an air riveter or hand riveter, install 3 new strike rivets on the front No.1 speaker assy on the front door panel.

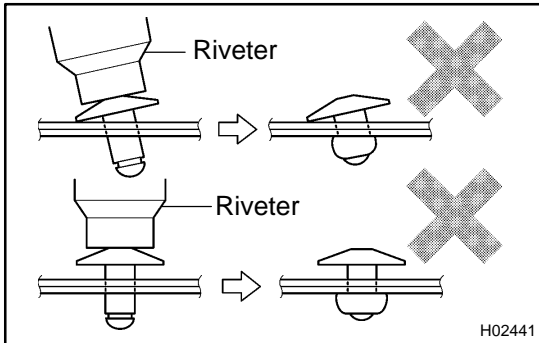
### HINT:

Install the new strike rivets in order as shown in the illustration.

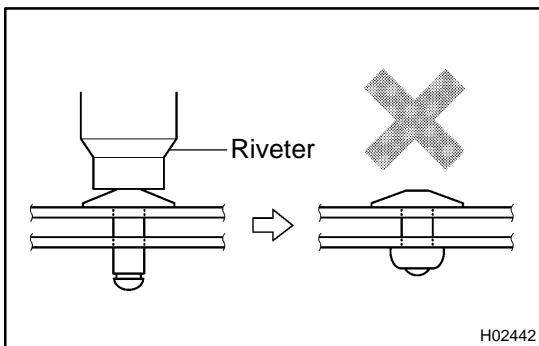


**NOTICE:**

- Do not tilt the rivet head. Doing so may scratch the riveter or bend the loosened rivet on the mandrel.



- Do not tilt the riveter or remove the rivet from the material. Material that is not securely tightened may deviate.



- The rivet should be installed only when there is no clearance between materials to ensure secure installation.

(b) Connect the connector.