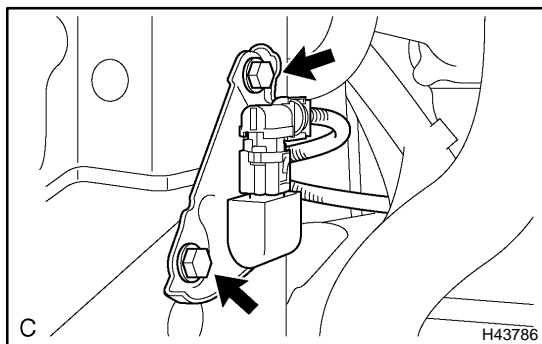


REPLACEMENT

HINT:

- Use the same procedures for the RH side and LH side.
 - The procedures listed below are for the LH side.
 - Installation is in the reverse order of removal.
1. **PRECAUTION (SEE PAGE 60-1)**
 2. **DISCONNECT BATTERY NEGATIVE TERMINAL (SEE PAGE 60-1)**
 3. **REMOVE ENGINE UNDER COVER (SEE PAGE 14-32)**



4. REMOVE AIRBAG SENSOR FRONT

- (a) Disconnect the connector from the airbag sensor front.
- (b) Remove the 2 bolts and the airbag sensor front.

5. INSTALL AIRBAG SENSOR FRONT

- (a) Check that the power switch is off.
- (b) Check that the battery negative (–) terminal is disconnected.

CAUTION:

After removing the terminal, wait for at least 90 seconds before starting the operation.

- (c) Install the airbag sensor front with the 2 bolts.

Torque:

LH Side: 17.5 N·m (178 kgf·cm, 13 ft·lbf)

RH Side: 9.0 N·m (92 kgf·cm, 80 in·lbf)

NOTICE:

- If the airbag sensor front has been dropped, or there are any cracks, dents or other defects in the case, bracket or connector, replace it with a new one.
 - When installing the airbag sensor front, be careful that the SRS wiring does not interfere with other parts and that it is not pinched between other parts.
- (d) Check that there is no looseness in the installation parts of the airbag sensor front.
 - (e) Connect the connector to the airbag sensor front.

6. CONNECT BATTERY NEGATIVE TERMINAL

NOTICE:

When disconnecting the negative (–) battery terminal, initialize the following systems after the terminal is reconnected.

System Name	See Page
Power Window Control System	01-28

7. INSPECT SRS WARNING LIGHT (SEE PAGE 05-1397)