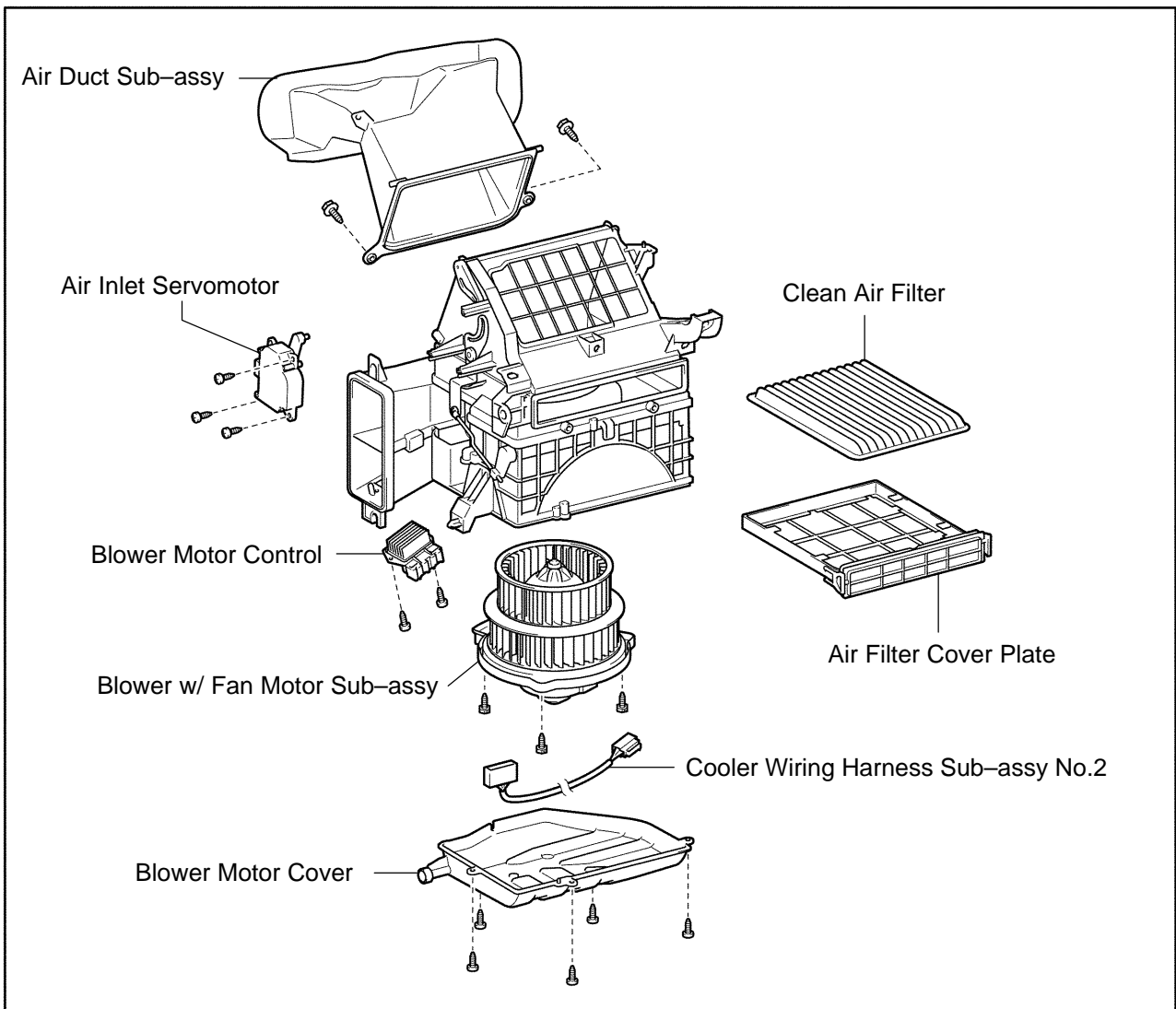
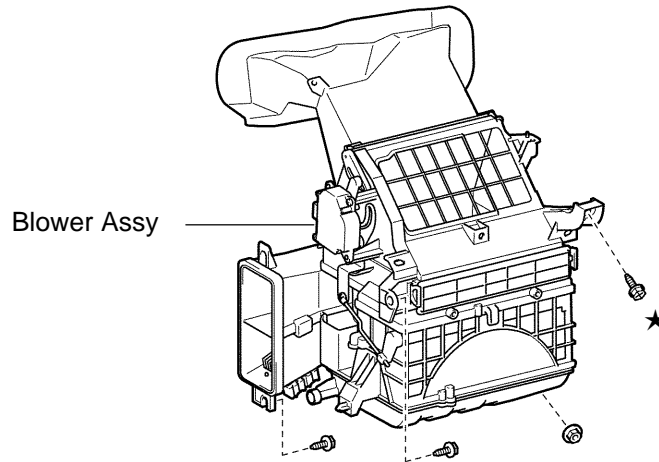


# BLOWER ASSY COMPONENTS

5519H-01



P ★ : Use repair screw (parts No.90159-70003) if the screw removed before cannot be tightened.

138849