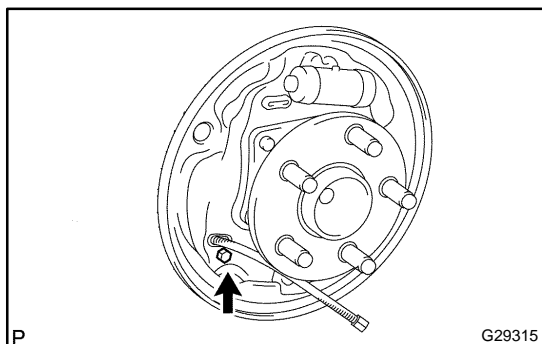


REPLACEMENT

HINT:

For parking brake cable No.2, employ the same procedure to the No.3 side.

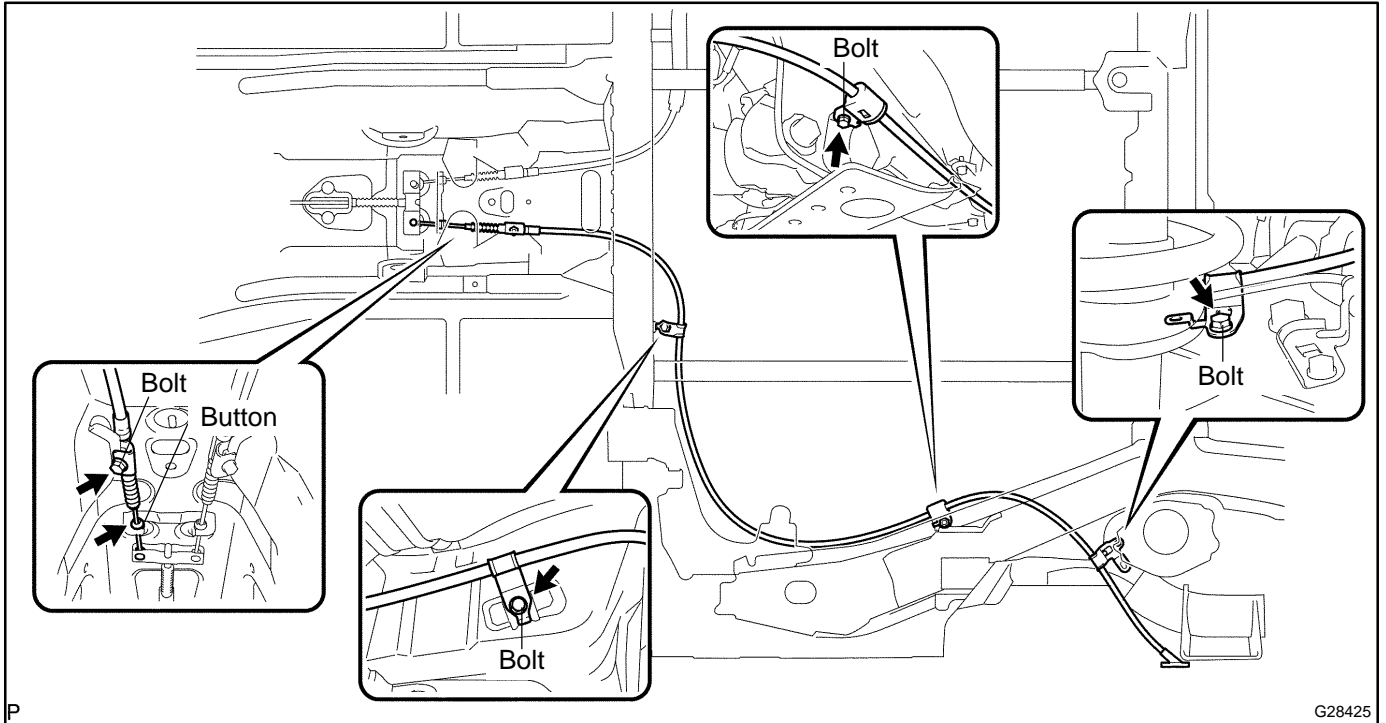
1. REMOVE REAR WHEEL
2. REMOVE REAR BRAKE DRUM SUB-ASSY (SEE PAGE 32-42)
3. SEPARATE PARKING BRAKE SHOE STRUT SET LH (SEE PAGE 32-42)
SST 09703-30010
4. REMOVE FRONT BRAKE SHOE (SEE PAGE 32-42)
SST 09718-00010
5. REMOVE PARKING BRAKE SHOE STRUT SET LH (SEE PAGE 32-42)
6. REMOVE REAR BRAKE AUTOMATIC ADJUST LEVER LH (SEE PAGE 32-42)
7. REMOVE REAR BRAKE SHOE (SEE PAGE 32-42)
8. REMOVE REAR BRAKE PARKING BRAKE SHOE LEVER SUB-ASSY (SEE PAGE 32-42)
9. REMOVE COWL SIDE TRIM BOARD RH (SEE PAGE 76-28)
10. REMOVE INSTRUMENT PANEL FINISH PANEL LOWER CENTER (SEE PAGE 71-13)
11. REMOVE OXYGEN SENSOR (SEE PAGE 15-2)
12. REMOVE FLOOR PANEL BRACE FRONT (SEE PAGE 15-2)
13. REMOVE EXHAUST PIPE ASSY FRONT (SEE PAGE 15-2)
14. REMOVE PARKING BRAKE CABLE HEAT INSULATOR
 - (a) Remove the 2 nuts and separate the parking brake cable heat insulator.



15. REMOVE PARKING BRAKE CABLE ASSY NO.3

- (a) Remove the bolt and separate the parking brake cable assy No.3 from the backing plate.

- (b) Remove the bolts and button as shown in the illustration. Separate the parking brake cable assy No.3.



- (c) Separate the parking brake cable assy No.3 from the parking brake equalizer.

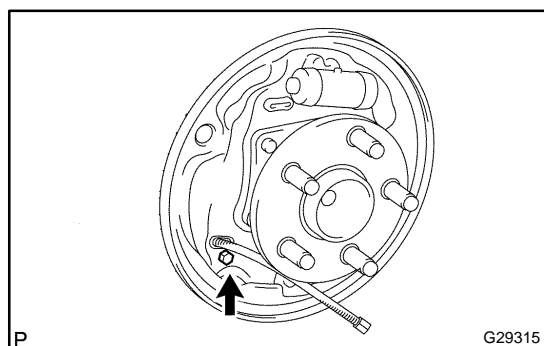
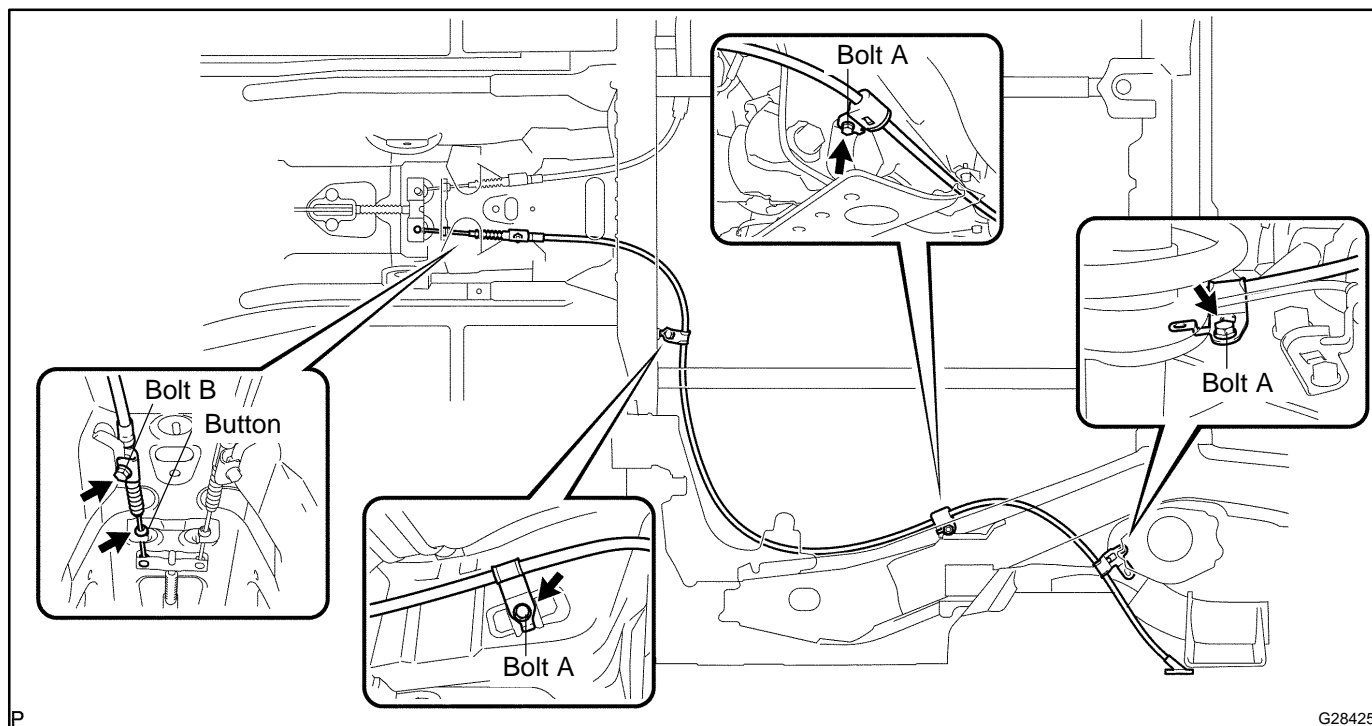
16. INSTALL PARKING BRAKE CABLE ASSY NO.3

- (a) Connect the parking brake cable assy No.3 to the parking brake equalizer.

- (b) Install the parking brake cable assy No.3 with bolts and a button as shown in the illustration.

Torque: 5.4 N·m (55 kgf·cm, 48 in·lbf) (Bolt A)

Torque: 6.0 N·m (61 kgf·cm, 53 in·lbf) (Bolt B)



- (c) Connect the parking brake cable assy No.3 to the backing plate with a bolt.

Torque: 8.0 N·m (82 kgf·cm, 71 in·lbf)

17. INSTALL PARKING BRAKE CABLE HEAT INSULATOR

- (a) Install the parking brake heat insulator with 2 nuts.

Torque: 5.4 N·m (55 kgf·cm, 48 in·lbf)

18. INSTALL EXHAUST PIPE ASSY FRONT (SEE PAGE 15-2)

19. INSTALL FLOOR PANEL BRACE FRONT (SEE PAGE 15-2)

20. INSTALL OXYGEN SENSOR (SEE PAGE 15-2)

21. APPLICATION HIGH TEMPERATURE GREASE (SEE PAGE 32-42)

22. INSTALL REAR BRAKE PARKING BRAKE SHOE LEVER SUB-ASSY (SEE PAGE 32-42)

23. INSTALL REAR BRAKE SHOE (SEE PAGE 32-42)

24. INSTALL REAR BRAKE SHOE RETURN SPRING (SEE PAGE 32-42)

25. INSTALL REAR BRAKE AUTOMATIC ADJUST LEVER LH (SEE PAGE 32-42)

26. INSTALL PARKING BRAKE SHOE STRUT SET LH (SEE PAGE 32-42)

27. INSTALL FRONT BRAKE SHOE (SEE PAGE 32-42)

SST 09718-00010

28. **CONNECT PARKING BRAKE SHOE STRUT SET LH (SEE PAGE 32-42)**
SST 09703-30010
29. **CHECK REAR DRUM BRAKE INSTALLATION (SEE PAGE 32-42)**
30. **INSTALL REAR BRAKE DRUM SUB-ASSY (SEE PAGE 32-42)**
31. **ADJUST REAR DRUM BRAKE SHOE CLEARANCE (SEE PAGE 32-42)**
32. **INSTALL REAR WHEEL**
33. **INSPECT AND ADJUST PARKING BRAKE PEDAL TRAVEL (SEE PAGE 33-2)**
34. **CHECK FOR EXHAUST GAS LEAKS (SEE PAGE 15-2)**