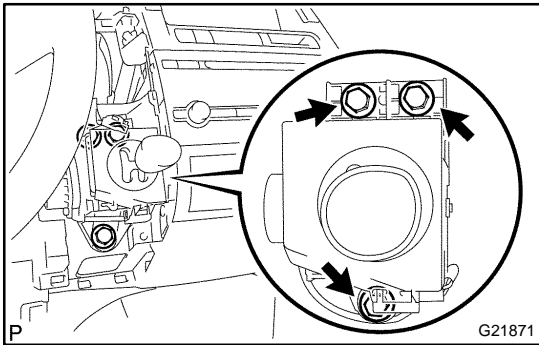


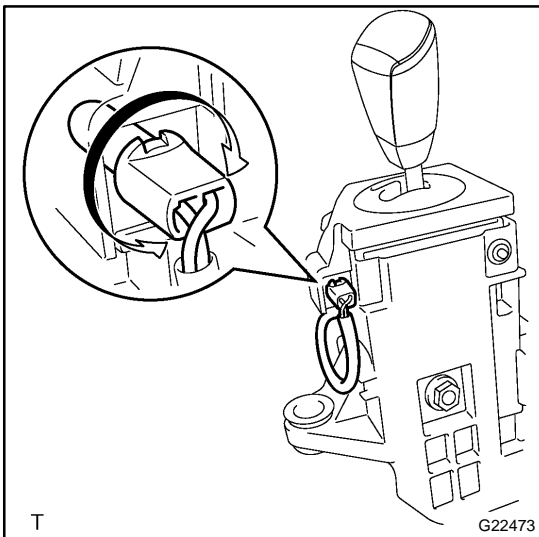
# OVERHAUL

1. REMOVE INSTRUMENT PANEL REGISTER ASSY NO.1 (SEE PAGE 71-7)
2. REMOVE INSTRUMENT PANEL FINISH PANEL SUB-ASSY LOWER (SEE PAGE 71-7)
3. REMOVE INSTRUMENT PANEL FINISH PANEL SUB-ASSY UPPER (SEE PAGE 71-7)
4. REMOVE INSTRUMENT PANEL REGISTER ASSY NO.3 (SEE PAGE 71-7)



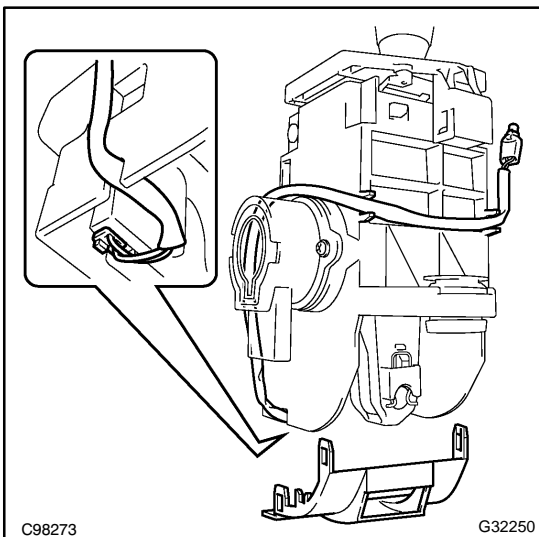
**5. REMOVE SHIFT LEVER ASSY**

- (a) Remove the 3 bolts.
- (b) Disconnect the 2 connectors and remove the shift lever assy.

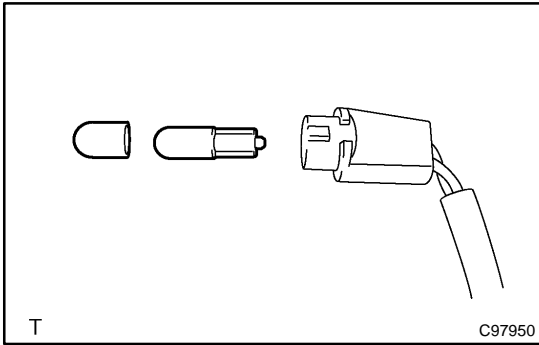


**6. REMOVE INDICATOR LAMP WIRE SUB-ASSY**

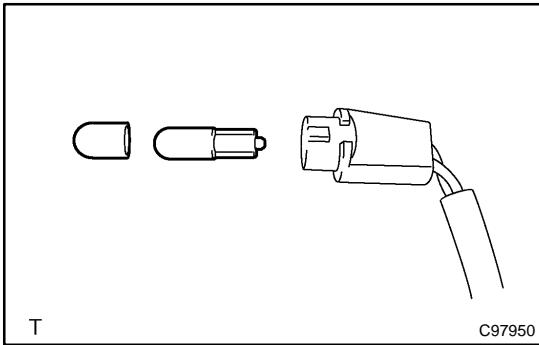
- (a) Remove the position indicator lamp wire from the position indicator housing.



- (b) Separate the connector from the 3 clamps and remove the position indicator lamp wire.
- (c) Remove the cover.

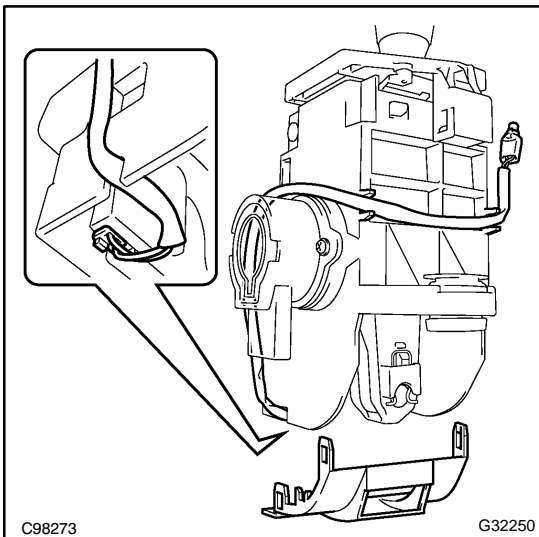


- (d) Remove the bulb and cap from the position indicator lamp wire.

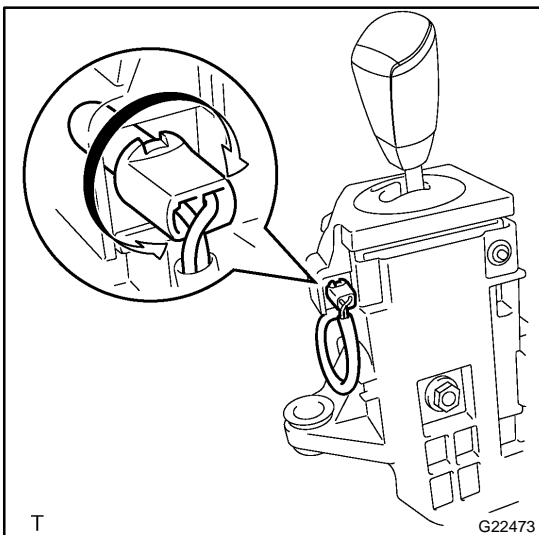


**7. INSTALL INDICATOR LAMP WIRE SUB-ASSY**

- (a) Install the bulb and cap to the position indicator lamp wire.



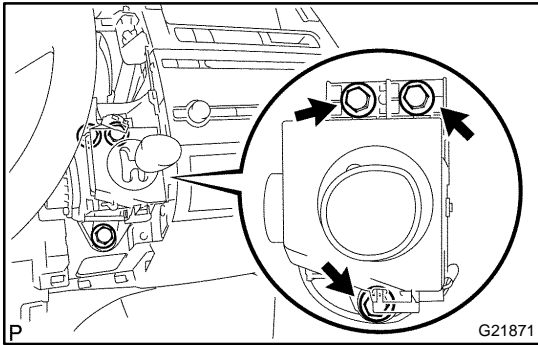
- (b) Connect the connector and 3 clamps.  
 (c) Install the cover.



- (d) Install the position indicator lamp wire to the position indicator housing.

**NOTICE:**

- **Securely attach by twisting to the right.**

**8. INSTALL SHIFT LEVER ASSY**

- (a) Install the 2 connectors to the shift lever assy.
- (b) Install the shift lever assy with the 3 bolts.

**Torque: 12 N·m (122 kgf·cm, 9 ft·lbf)**

**9. INSPECT SHIFT LEVER ASSY (SEE PAGE 22-1)**