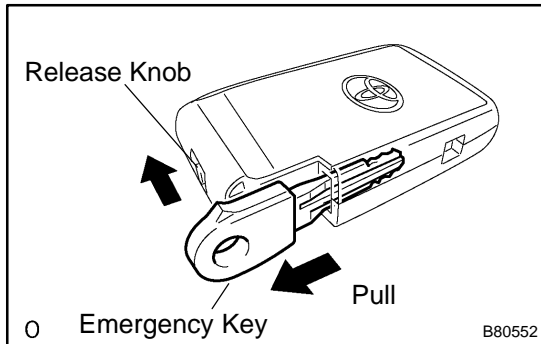


REPLACEMENT

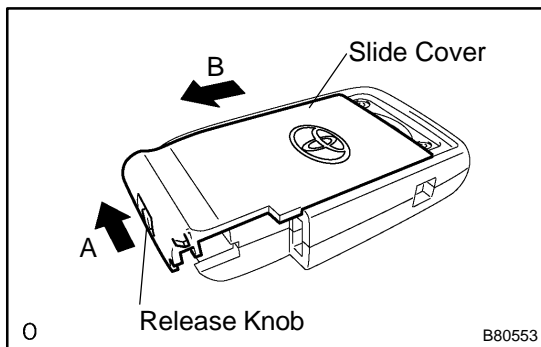
1. REMOVE TRANSMITTER BATTERY

NOTICE:

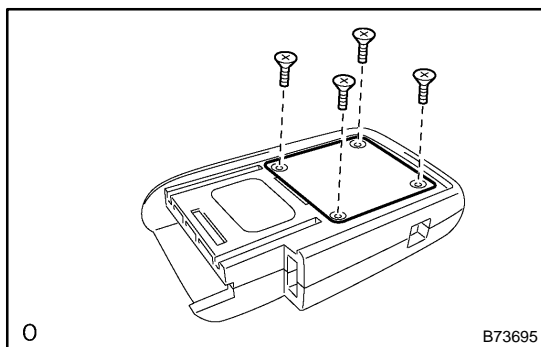
Take extra care when handling these precision electronic components.



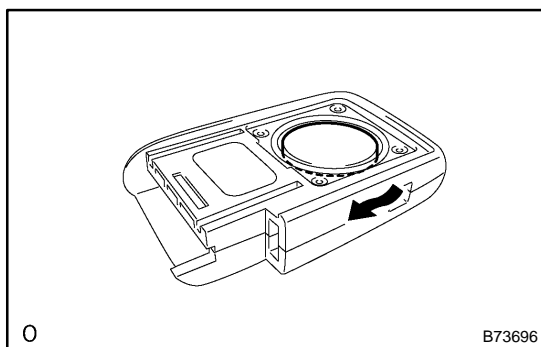
- (a) Push and hold the release knob in the direction indicated by the arrow in the illustration. Take the emergency key out of the key.



- (b) Push and hold the release knob in the direction indicated by the arrow labeled A in the illustration. Push out the slide cover in the direction indicated by the arrow labeled B in the illustration and remove the slide cover.



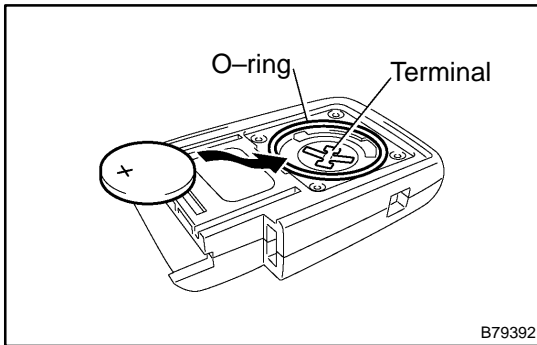
- (c) Remove the 4 screws and cover using a screwdriver, as shown in the illustration.



- (d) Remove the transmitter's battery from the key, as shown in the illustration.

NOTICE:

- Do not push the terminals with your finger.
- Do not forcibly pry up the battery (lithium battery). The terminals may become damaged.
- Do not touch the battery with wet hands. Water may cause rust.
- Do not touch or move any components inside the transmitter, as it may cease to work.



2. INSTALL TRANSMITTER BATTERY

- (a) Install a new battery (lithium battery) with the positive (+) side up, as shown in the illustration.

NOTICE:

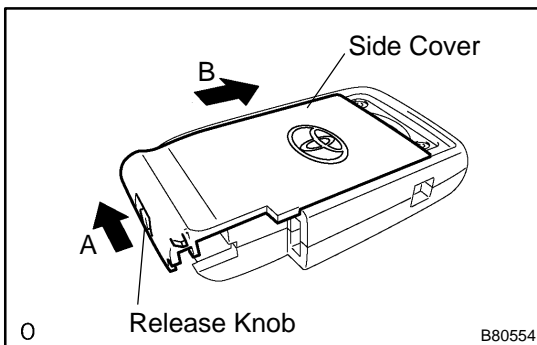
- Be sure that the positive side and the negative side of the transmitter battery are matched up correctly.
- Be careful not to bend the transmitter battery electrode during insertion.
- Keep the transmitter case interior free of dust and oil.

- (b) Check that the O-ring is not distorted or slipped off, and install the cover.

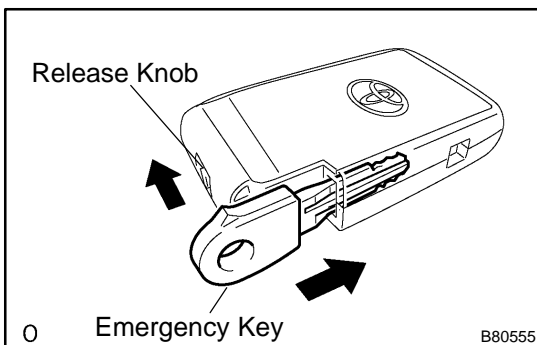
- (c) Using a screwdriver, tighten the 4 screws.

NOTICE:

Incomplete installation of the cover will cause defective contact between the battery (lithium battery) and terminal.



- (d) Push and hold the release knob in the direction indicated by the arrow labeled A in the illustration. Push in the slide cover in the direction indicated by the arrow labeled B in the illustration and install the slide cover.



- (e) Push and hold the release knob in the direction indicated by the arrow in the illustration. Insert the emergency key into the key.

HINT:

After installation, press any of the transmitter's switches. Check that the LED illuminates.