

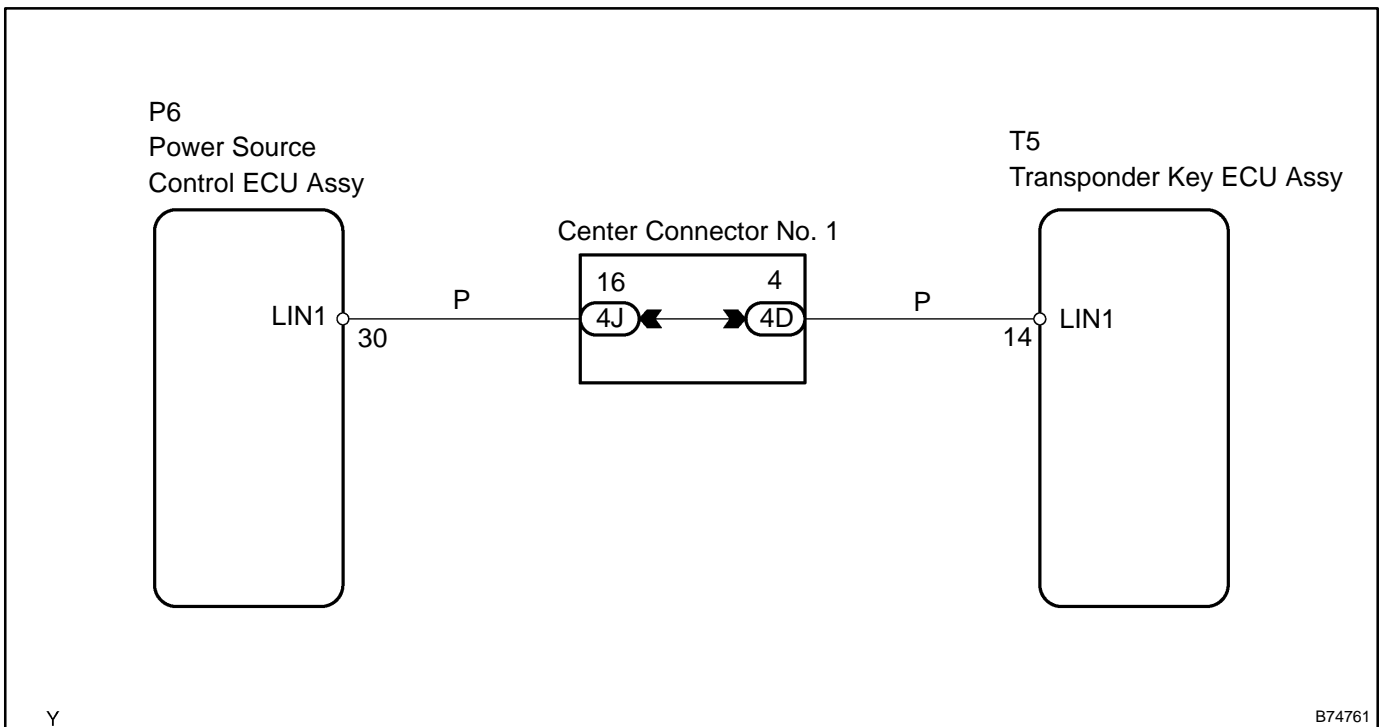
<b>DTC</b>	<b>B2785</b>	<b>IGNITION SWITCH ON MALFUNCTION</b>
------------	--------------	---------------------------------------

**CIRCUIT DESCRIPTION**

This DTC is output if communication between the transponder key ECU and power source control ECU is not possible.

DTC No.	DTC Detection Condition	Trouble Area
B2785	Communication between the transponder key ECU and power source control ECU is not possible	<ul style="list-style-type: none"> <li>• Wire harness</li> <li>• Power source control ECU assy</li> <li>• Transponder key ECU assy</li> </ul>

**WIRING DIAGRAM**

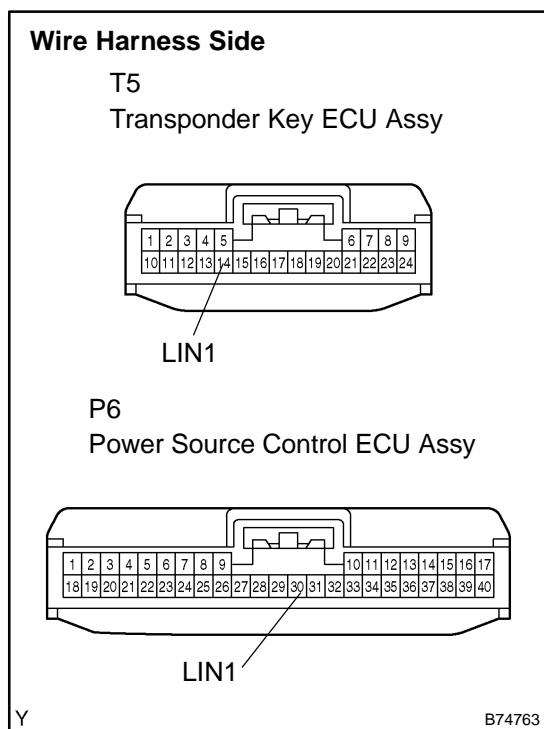


Y

B74761

## INSPECTION PROCEDURE

### 1 CHECK WIRE HARNESS (TRANSPONDER KEY ECU ASSY – POWER SOURCE CONTROL ECU ASSY)



- (a) Reconnect the T5 and P6 ECU connector.
- (b) Measure the resistance of each terminal of the wire harness side connectors.

**Standard:**

Tester Connection	Specified Condition
T5-14 (LIN1) – P6-30 (LIN1)	Below 1 Ω
T5-14 (LIN1) or P6-30 (LIN1) – Body ground	10 kΩ or higher

**NG** → **REPAIR OR REPLACE WIRE HARNESS AND CONNECTOR**

**OK**

### 2 CHECK OPERATION OF TRANSPONDER KEY ECU

- (a) After replacing the transponder key ECU assy with a normally functioning ECU, check that the power switch's power mode can be changed to ON (ACC and IG) and the hybrid control system can be started.

**OK:**

**Power switch's power mode can be changed to ON (ACC and IG) and the hybrid control system can be started.**

**NG** → **REPLACE POWER SOURCE CONTROL ECU ASSY**

**OK**

### END (REPLACE TRANSPONDER KEY ECU ASSY)