

SECURITY INDICATOR CIRCUIT

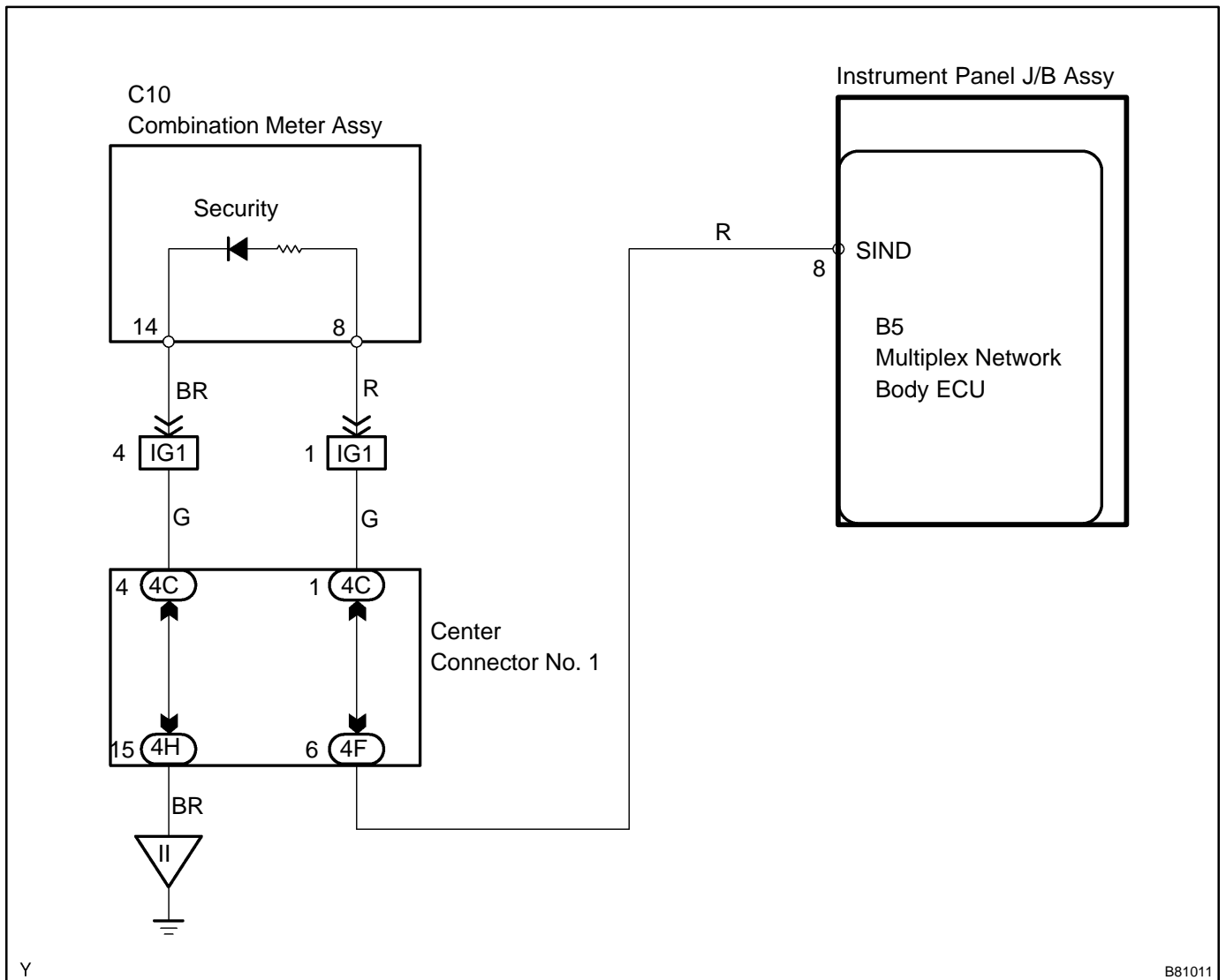
CIRCUIT DESCRIPTION

When the theft deterrent system is in the disarmed state, the security indicator will flash continuously if the immobilizer system is set, or not illuminate if the immobilizer system is not set.

When the theft deterrent system is in the armed state, the immobilizer system is automatically set and the security indicator will flash continuously.

When the theft deterrent system is in the arming preparation state and alarm sounding state, the multiplex network body ECU causes the security indicator to be illuminated.

WIRING DIAGRAM



Y

B81011

INSPECTION PROCEDURE

1 | PERFORM ACTIVE TEST USING HAND-HELD TESTER

- (a) Connect the hand-held tester (with CAN VIM) to the DLC3.
- (b) Turn the power switch ON (IG) and press the hand-held tester main switch ON.
- (c) Select the item below in the ACTIVE TEST and then check that the indicator operates.

Multiplex network body ECU:

Item	Tester Detail	Diagnostic Note
SECURITY INDIC	Security indicator ON/OFF	-

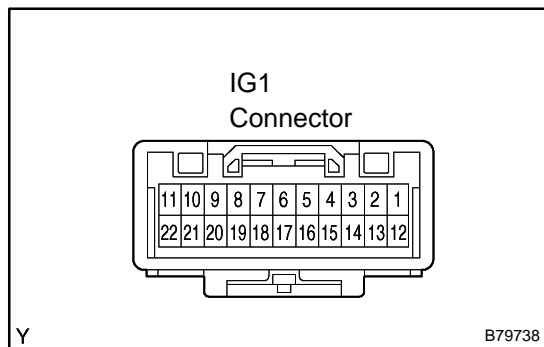
OK: "OFF"(theft deterrent system is "Disarmed state") appears on the screen.

NG → Go to step 2

OK

PROCEED TO NEXT CIRCUIT INSPECTION SHOWN ON PROBLEM SYMPTOMS TABLE
(See page 05-2508)

2 | CHECK WIRE HARNESS (IG1 CONNECTOR - BODY GROUND)



- (a) Disconnect the IG1 connector.
- (b) Measure the resistance of the wire harness side connector.

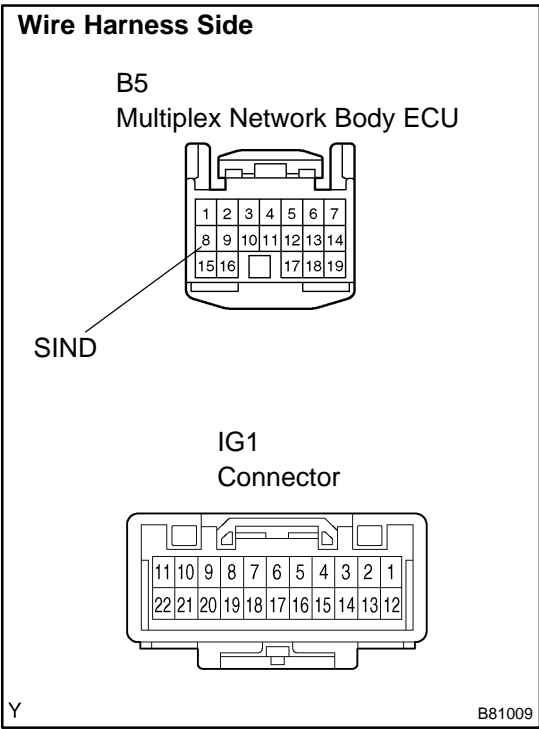
Standard:

Tester Connection	Specified Condition
IG1-4 - Body ground	Below 1 Ω

NG → REPAIR OR REPLACE HARNESS AND CONNECTOR

OK

3 CHECK WIRE HARNESS (MULTIPLEX NETWORK BODY ECU - COMBINATION METER ASSY)



- (a) Disconnect the B5 ECU connector.
- (b) Disconnect the IG1 connector.
- (c) Measure the resistance of the wire harness side connectors.

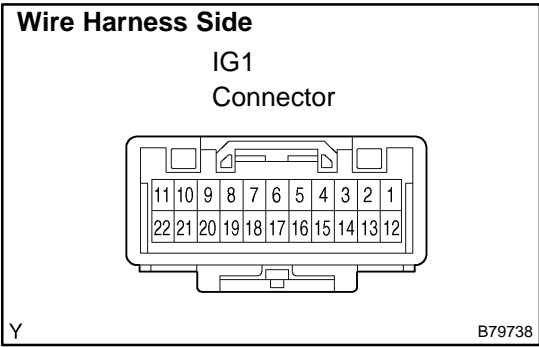
Standard:

Tester Connection	Specified Condition
B5-8 (SIND) - IG1-1	Below 1 Ω

NG REPAIR OR REPLACE HARNESS AND CONNECTOR

OK

4 INSPECT COMBINATION METER ASSY (SECURITY INDICATOR OPERATION)



- (a) Dis connect the IG1 connector.
- (b) Apply 12 V positive voltage to the terminals of the combination meter. Check that the security indicator illuminates.

Standard:

Measurement Condition	Specified Condition
Body positive (+) → Terminal 1	Illuminates
Body negative(-) → Terminal 4	

NOTICE:

- If the positive (+) lead and the negative (-) lead are incorrectly connected, the security indicator does not illuminates.
- Voltage of more than 12 V will damage the security indicator.
- If the voltage is too low, the security indicator will not illuminates.

NG REPLACE COMBINATION METER ASSY

OK

PROCEED TO NEXT CIRCUIT INSPECTION SHOWN ON PROBLEM SYMPTOMS TABLE (See page 05-2508)