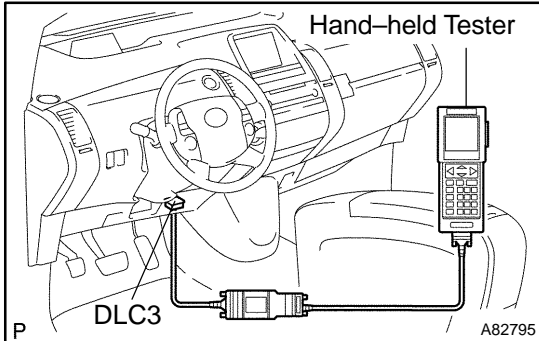


## DTC CHECK/CLEAR



### 1. DTC CHECK

- (a) Connect the hand-held tester to the DLC3.
- (b) Turn the ignition switch to the ON position.
- (c) Read DTCs by following the prompts on the tester screen.

#### HINT:

Please refer to the hand-held tester operator's manual for further details.

### 2. DTC CLEAR

- (a) DTCs can be erased by operating the hand-held tester.

#### HINT:

Please refer to the hand-held tester operator's manual for further details.