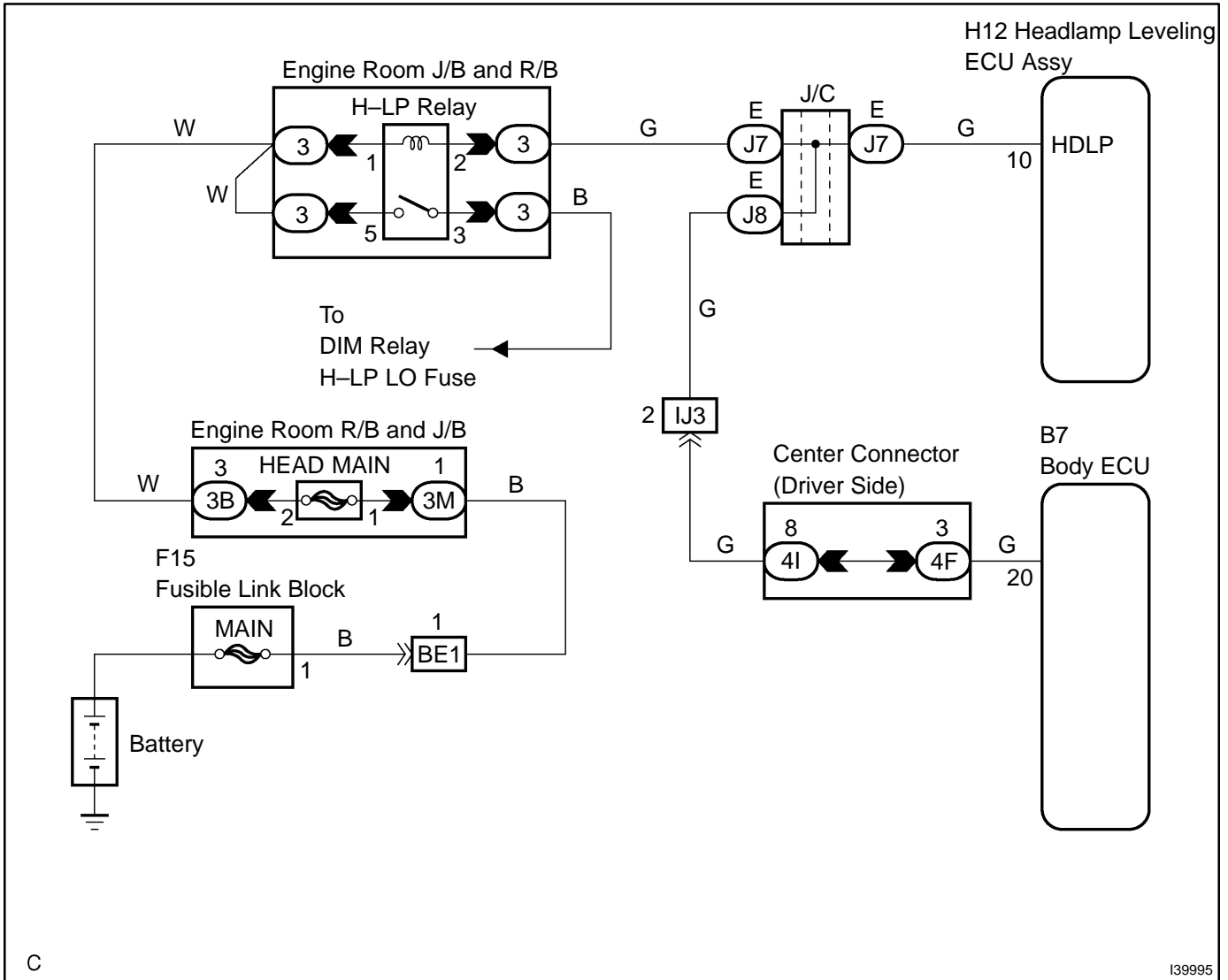


# HEADLIGHT SIGNAL CIRCUIT

## CIRCUIT DESCRIPTION

Headlamp leveling ECU Assy receives the HEAD relay operation signal from HEAD signal.

## WIRING DIAGRAM

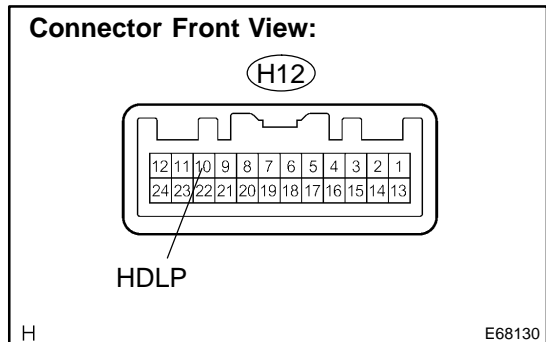


# INSPECTION PROCEDURE

HINT:

First, check if the headlamp operation is normal before performing the following procedure.

## 1 INSPECT HEADLAMP LEVELING ECU ASSY



(a) Measure the voltage according to the value(s) in the table below.

**Standard:**

Tester connection	Condition	Specified condition
H12-10 - Body ground	Light control switch OFF	10 to 14 V
H12-10 - Body ground	Light control switch in HEAD	Below 1 V

**NG** → **REPAIR OR REPLACE HARNESS OR CONNECTOR (HEADLAMP LEVELING ECU ASSY - HEAD RELAY)**

**OK**

**PROCEED TO NEXT CIRCUIT INSPECTION SHOWN IN PROBLEM SYMPTOMS TABLE (SEE PAGE 05-1677)**