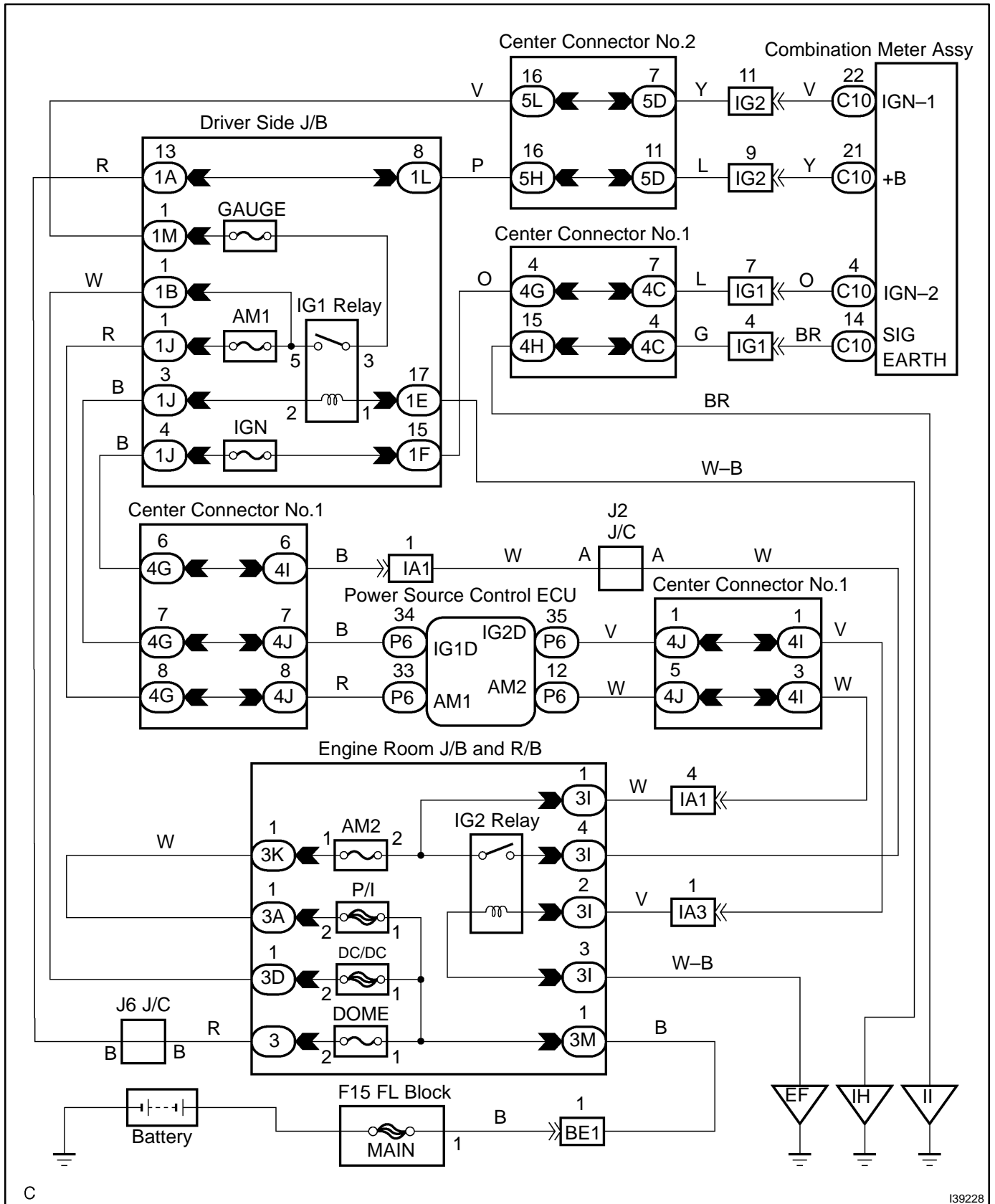


ENTIRE COMBINATION METER DOES NOT OPERATE

WIRING DIAGRAM

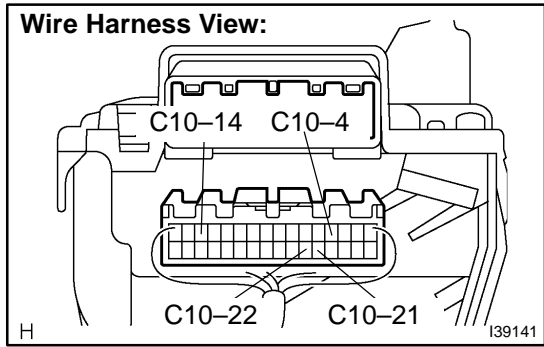


C

I39228

INSPECTION PROCEDURE

1 INSPECT COMBINATION METER ASSY



(a) Measure the resistance according to the value(s) in the table below.

Standard:

Terminal No	Condition	Specified condition
C10-14 – Body ground	Always	Below 1 Ω

(b) Measure the voltage according to the value(s) in the table below.

Standard:

Terminal No	Condition	Specified condition
C10-21 – Body ground	Always	10 to 14 V
C10-4, 22 – Body ground	Power switch ON (IG)	10 to 14 V

NG → **REPAIR OR REPLACE HARNESS OR CONNECTOR**

OK

REPLACE COMBINATION METER ASSY(SEE PAGE 71-19)