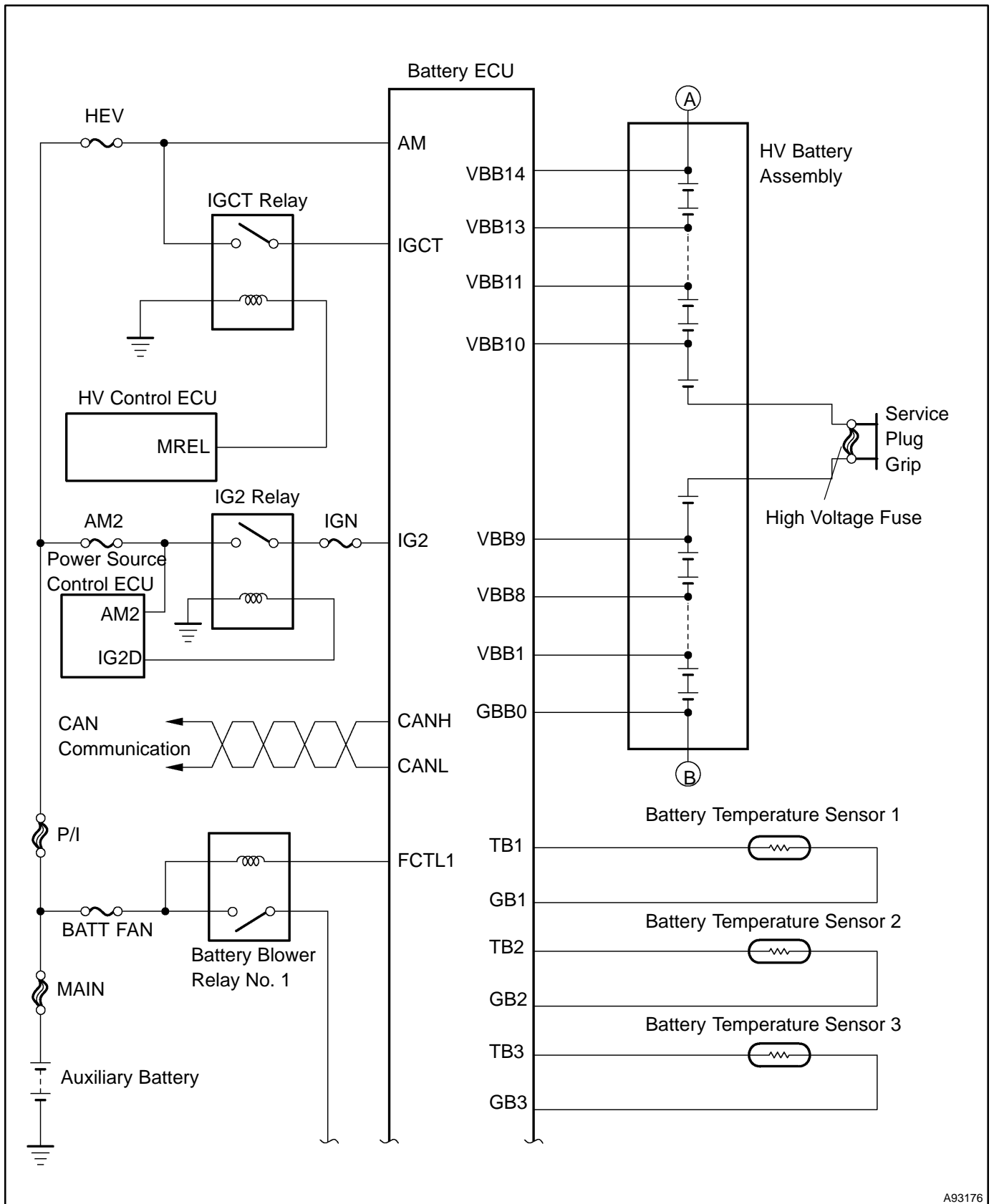
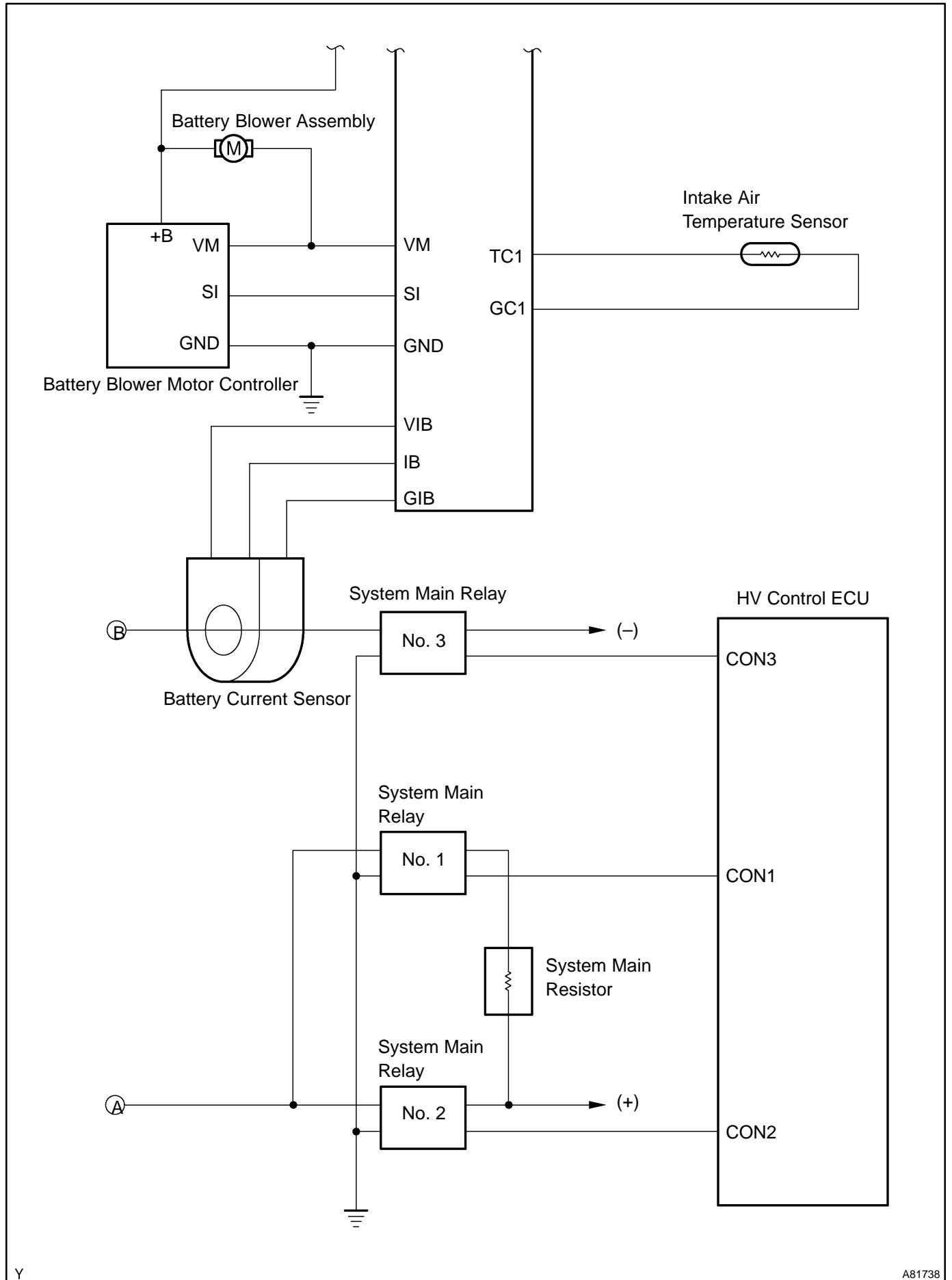


# SYSTEM DIAGRAM



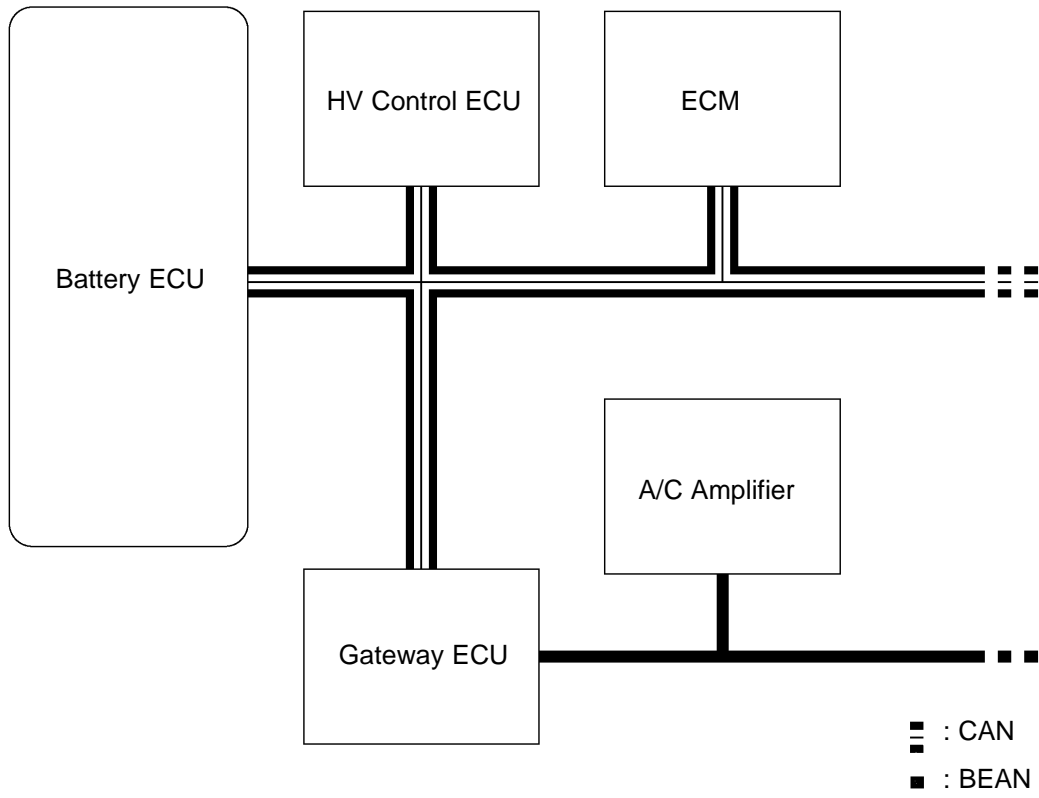
A93176



Y

A81738

Communication System Diagram:



Y

A81780