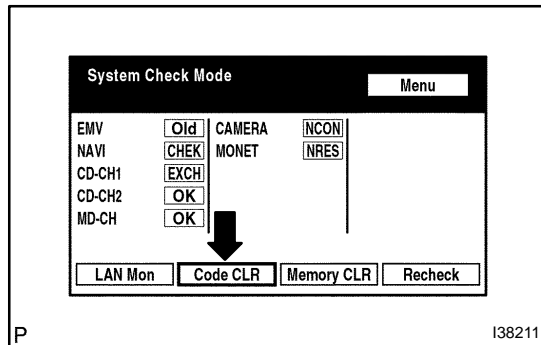


# SYSTEM CHECK MODE (DTC CLEAR/RECHECK)

**HINT:**

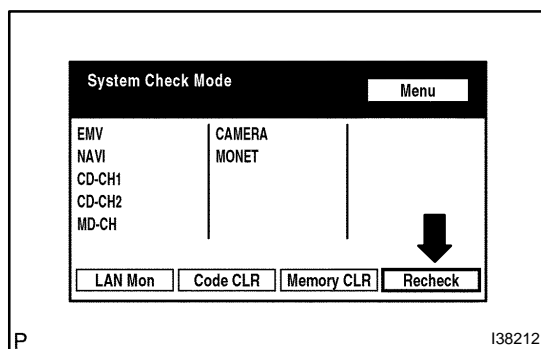
The illustrations may differ from the actual vehicle depending on the device settings and options. Therefore, some detailed areas may not be shown exactly the same as on the actual vehicle.

**1. Enter diagnostic mode (see page 05-1763).**



**2. Clear DTC**

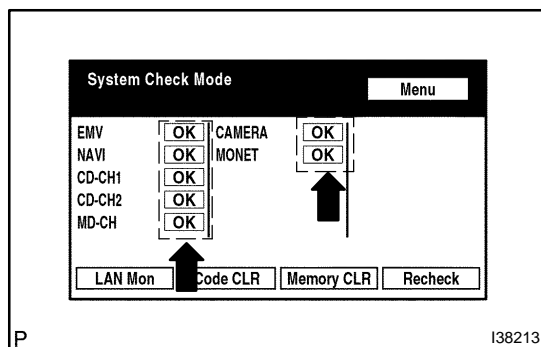
(a) Press the "Code CLR" switch for 3 seconds.



(b) Check result is cleared.

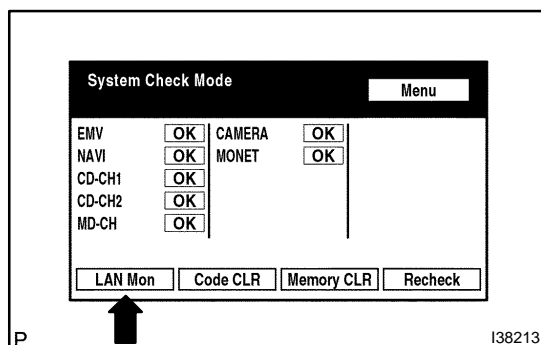
**3. Recheck**

(a) Press the "Recheck" switch.

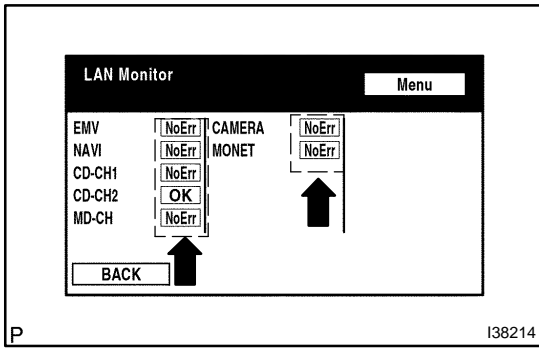


(b) Confirm that all diagnostic codes are "OK" when the check results are displayed.

If a code other than "OK" is displayed, troubleshoot again.



(c) Press the "LAN Mon" switch to change to "LAN Monitor" mode.



(d) Confirm that all diagnostic codes are "No Err".  
If a code other than "No Err" is displayed, troubleshoot again.