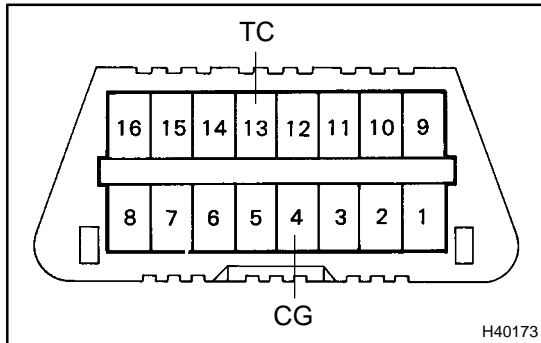


DTC CHECK/CLEAR



1. DTC CHECK (USING SST CHECK WIRE)

- (a) Check the DTCs (Present trouble code).
 - (1) Turn the power switch on (IG), and wait for approximately 60 seconds.
 - (2) Using SST, connect terminals TC and CG of the DLC3.

SST 09843-18040

NOTICE:

Connect the terminals to the correct positions to avoid a malfunction.

- (b) Check the DTCs (Past trouble code).
 - (1) Using SST, connect terminals TC and CG of the DLC3.

SST 09843-18040

NOTICE:

Connect the terminals to the correct positions to avoid a malfunction.

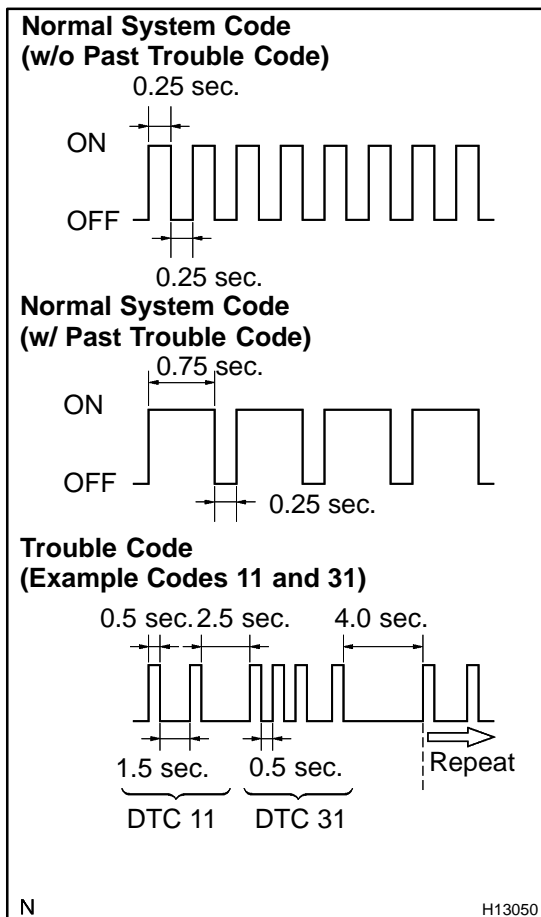
- (2) Turn the power switch on (IG), and wait for approximately 60 seconds.

- (c) Read the DTCs.
 - (1) Read the blinking patterns of the DTCs. Examples, the blinking patterns for the normal system code and trouble codes 11 and 31 are shown in the illustration to the left.
 - Normal system code indication (w/o past trouble code)
The light blinks twice per second.
 - Normal system code indication (w/ past trouble code)
When the past trouble code is stored in the airbag ECU assy, the light blinks only once per second.
 - Trouble code indication
The first blinking indicates the first DTC. The second blinking occurs after a 1.5-second pause.

If there are more than 1 code, there will be a 2.5-second pause between each code. After all codes are shown, there will be a 4.0-second pause, and they all will be repeated.

HINT:

- If 2 or more malfunctions are found, the indication begins with the smaller numbered code.
- If DTCs are indicated without connecting the terminals, proceed to the "TC Terminal Circuit" on page 05-1656.



2. DTC CLEAR (USING SST CHECK WIRE)

(a) Clear the DTCs.

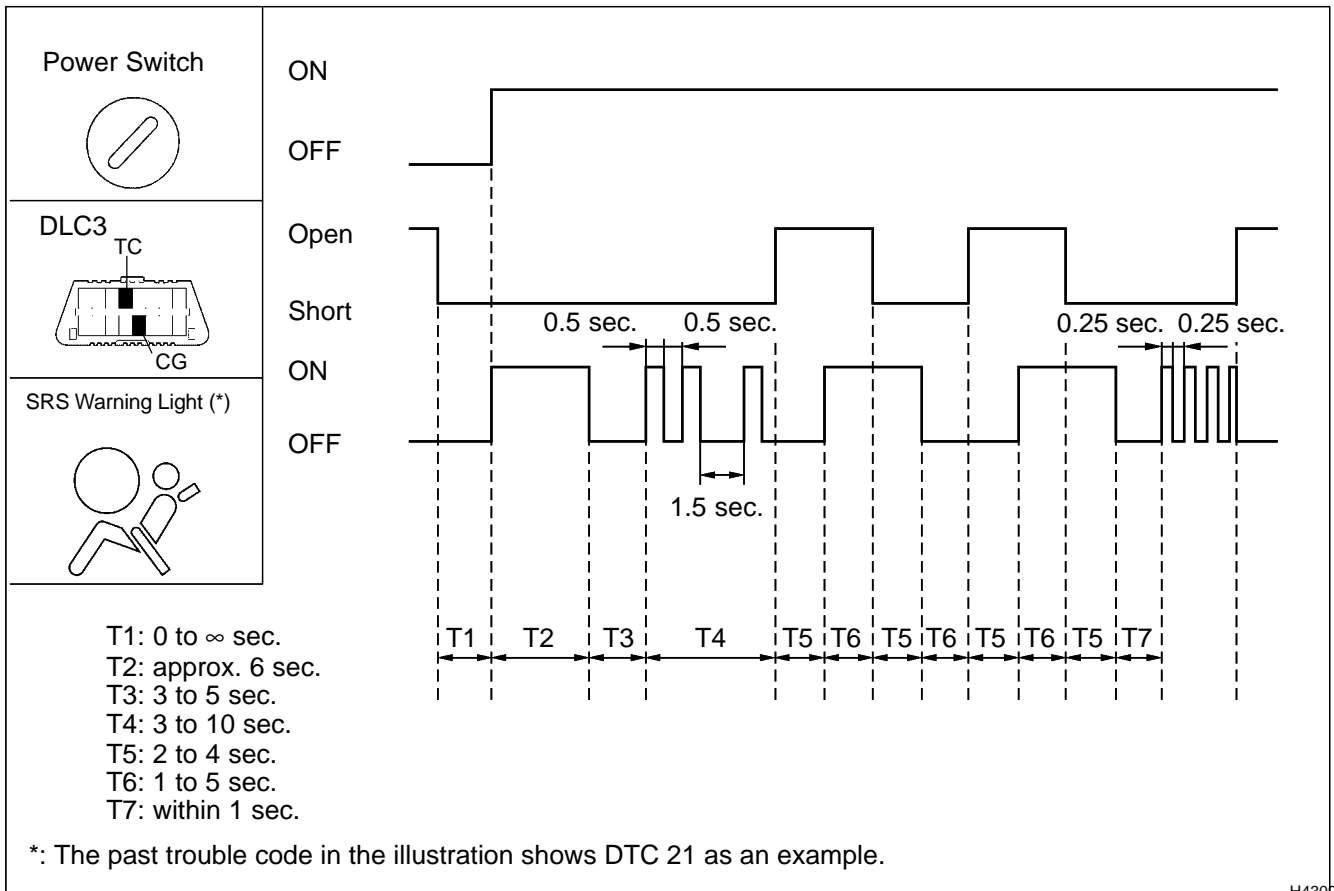
- (1) When the power switch is turned off, the DTCs are cleared.

HINT:

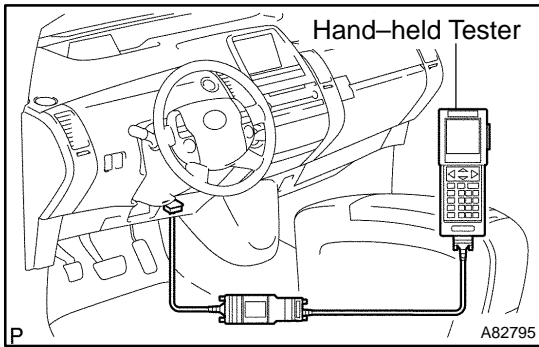
Depending on the DTC, the code may not be cleared by turning off the power switch. In this case, proceed to the next procedure.

- (2) Using SST, connect terminals TC and CG of the DLC3, and then turn the power switch on (IG).
SST 09843-18040
- (3) Disconnect terminal TC of the DLC3 within 3 to 10 seconds after the DTCs are output, and check if the SRS warning light comes on after 3 seconds.
- (4) Within 2 to 4 seconds after the SRS warning light comes on, connect terminals TC and CG of the DLC3.
- (5) The SRS warning light should go off within 2 to 4 seconds after connecting terminals TC and CG of the DLC3. Then, disconnect terminal TC within 2 to 4 seconds after the SRS warning light goes off.
- (6) The SRS warning light comes on again within 2 to 4 seconds after disconnecting terminal TC. Then, reconnect terminals TC and CG within 2 to 4 seconds after the SRS warning light comes on, connect terminals TC and CG of the DLC3.
- (7) Check if the SRS warning light goes off 2 to 4 seconds after connecting terminals TC and CG of the DLC3. Also check if the normal system code is output within 1 second after the SRS warning light goes off.

If DTCs are not cleared, repeat this procedure until the codes are cleared.



H43080



3. DTC CHECK (USING HAND-HELD TESTER)

(a) Check the DTCs.

- (1) Connect the hand-held tester to the DLC3.
- (2) Turn the power switch on (IG).
- (3) Check the DTCs by following the prompts on the tester screen.

HINT:

Refer to the hand-held tester operator's manual for further details.

(b) Clear the DTCs.

- (1) Connect the hand-held tester to the DLC3.
- (2) Turn the power switch on (IG).
- (3) Clear the DTCs by following the prompts on the tester screen.

HINT:

Refer to the hand-held tester operator's manual for further details.