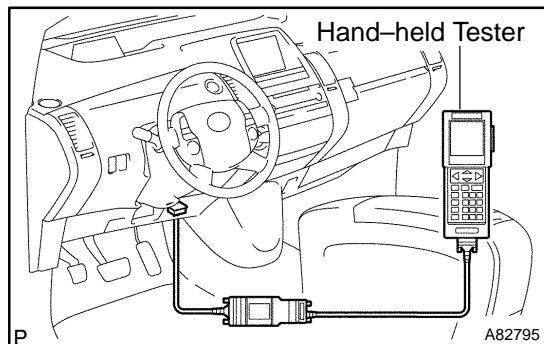


CHECK MODE PROCEDURE



1. CHECK MODE (SIGNAL CHECK)

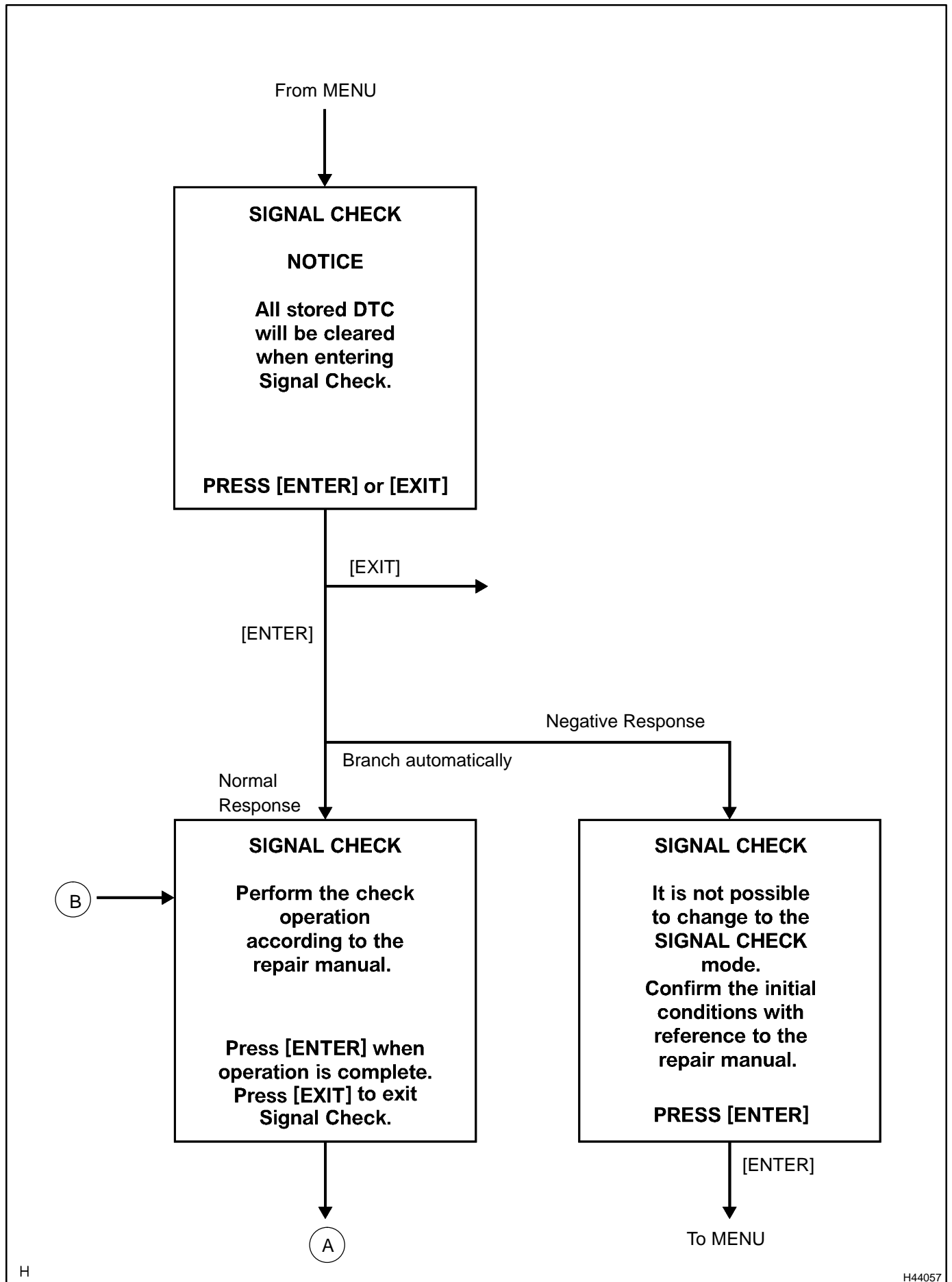
- (a) Connect the hand-held tester to the DLC3.
- (b) Turn the power switch on (IG).
- (c) Select the "SIGNAL CHECK", and proceed checking with the hand-held tester.

HINT:

- Malfunctions can be detected in the check mode better than the normal check mode.
- If the normal system code is output in the normal check mode even when a sensor signal malfunction is suspected, perform the inspection in the check mode.

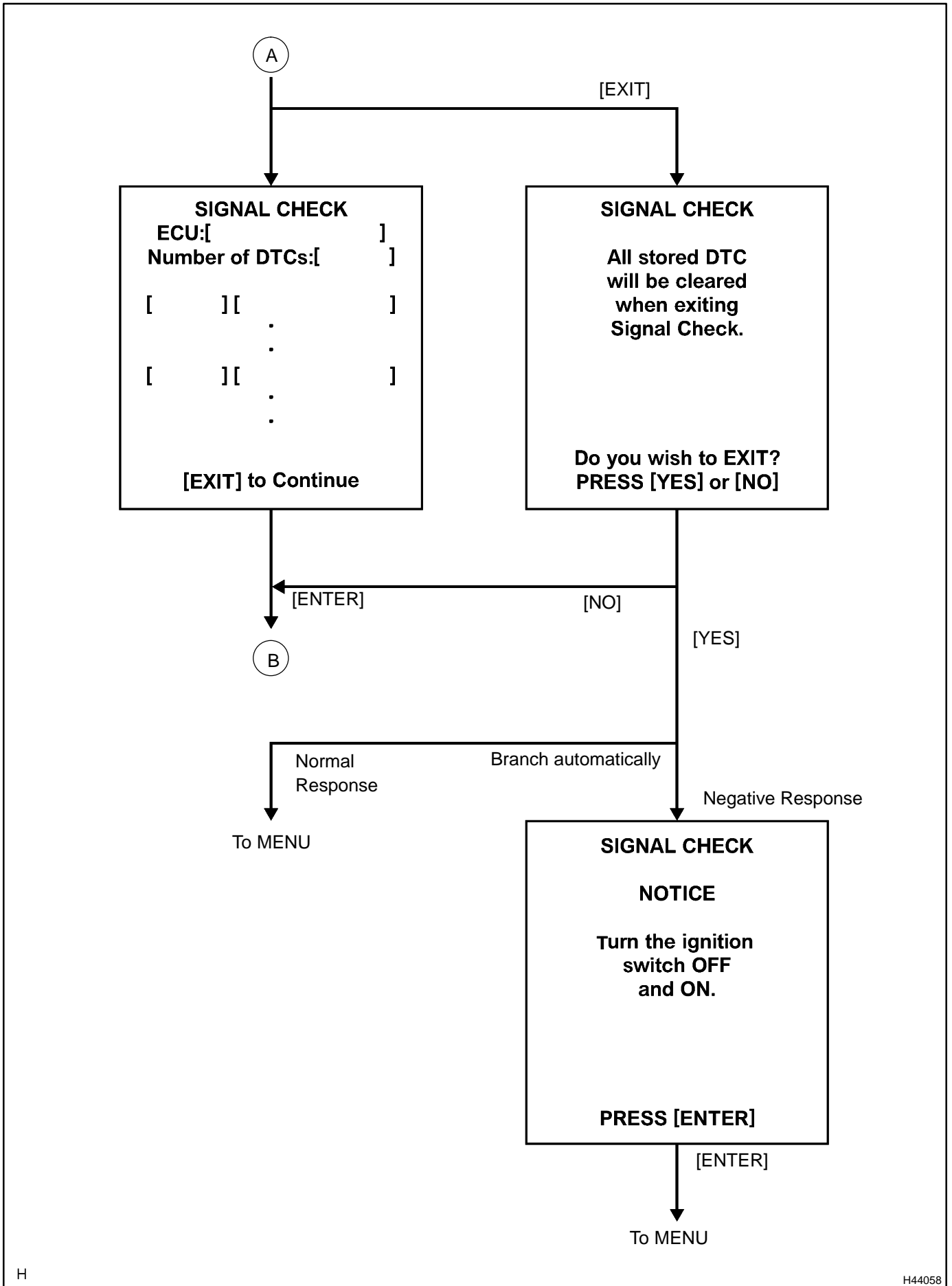
[System Selection Screen]

"1: DIAGNOSIS" – "1: OBD/MOBD" – "MODEL YEAR" –
 "MODEL SELECTION = PRIUS" – Select the option parts –
 "8: SRS AIRBAG " – "SIGNAL CHECK"



H

H44057



H

H44058