

DTC	B2796	NO COMMUNICATION IN IMMOBILISER SYSTEM
------------	--------------	---

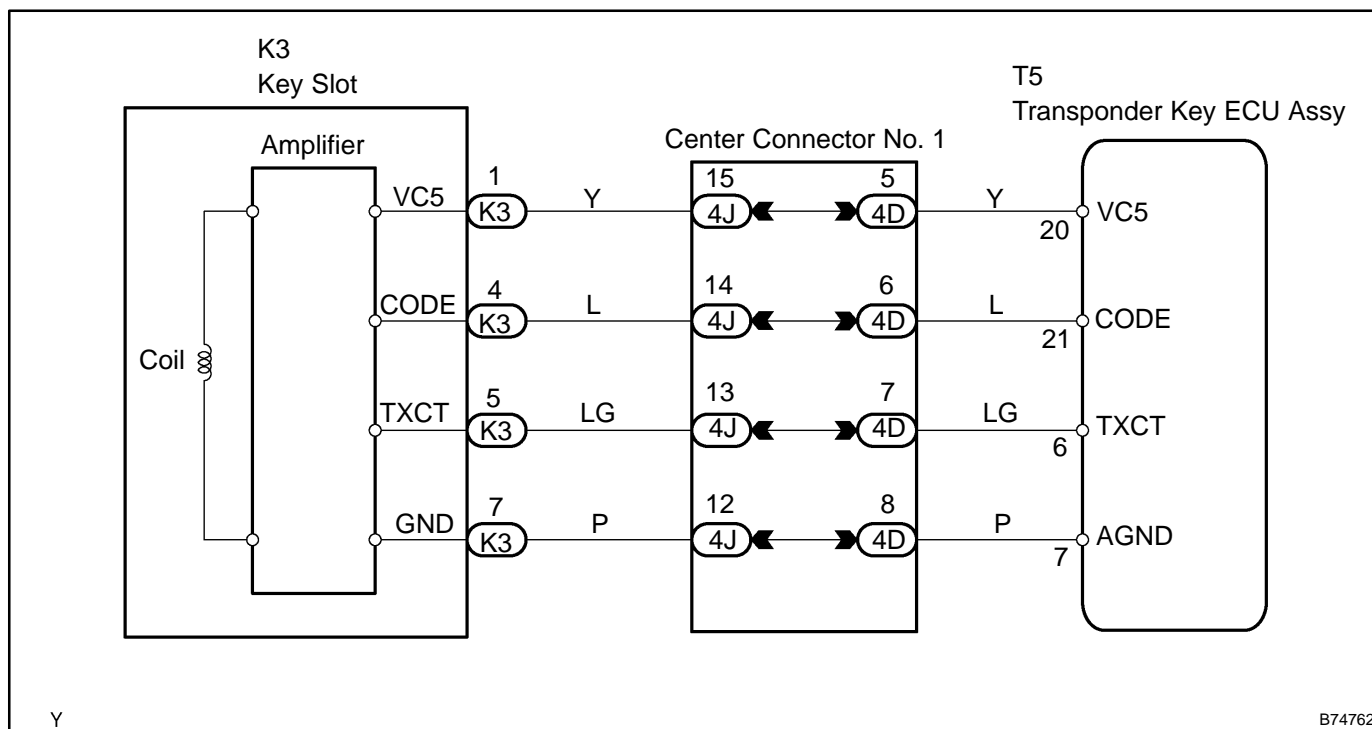
DTC	B2798	COMMUNICATION MALFUNCTION NO.2
------------	--------------	---------------------------------------

CIRCUIT DESCRIPTION

This DTC is output when a key that does not have a transponder chip is inserted into the key slot or if communication between the key and transponder key ECU is not possible.

DTC No.	DTC Detection Condition	Trouble Area
B2796	No communication	<ul style="list-style-type: none"> • Key (Door control transmitter) • Wire harness • Key slot • Transponder key ECU assy
B2798	Communication error	Key (Door control transmitter)

WIRING DIAGRAM



INSPECTION PROCEDURE

1 READ VALUE OF HAND-HELD TESTER

- (a) Connect the hand-held tester (with CAN VIM) to the DLC3.
- (b) Insert the key that cannot start the hybrid control system into the key slot, and change the power switch's power mode to ON (IG) by pushing the power switch.
- (c) Read the DATA LIST according to the display on the tester.

OK: "SET" (power switch's power mode ON (IG)) appears on the screen.

Item	Measurement Item/ Display (Range)	Normal Condition	Diagnostic Note
IMMOBILISER	Immobilizer system status/ SET or UNSET	UNSET: Without key SET: Power switch's power mode ON (IG)	–

NG Go to step NO TAG

OK

REPLACE TRANSPONDER KEY ECU ASSY

2 CHECK WHETHER HYBRID CONTROL SYSTEM STARTS WITH OTHER KEYS

- (a) Insert the key that cannot the hybrid control system into the key slot, and change the power switch's power mode to ON (IG) by pushing the power switch.

OK:

Power switch's power mode can be changed to ON (ACC and IG) and hybrid control system can be started.

NG Go to step NO TAG

OK

RE-REGISTER OR REPLACE KEY THAT CANNOT START HYBRID CONTROL SYSTEM

3 READ VALUE OF HAND-HELD TESTER

- (a) Connect the hand-held tester (with CAN VIM) to the DLC3.
- (b) Insert the key that cannot start the hybrid control system into the key slot, and change the power switch's power mode to ON (IG) by pushing the power switch.
- (c) Read the DATA LIST according to the display on the tester.

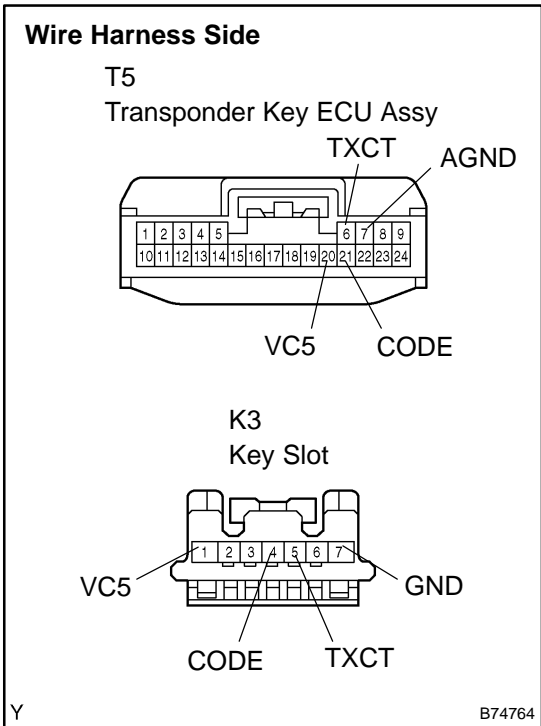
OK: "NORMAL" (antenna coil is normal) appears on the screen.

Item	Measurement Item/ Display (Range)	Normal Condition	Diagnostic Note
ANTENNA COIL	Antenna coil condition /NORMAL or FAIL	NORMAL: Antenna coil is normal FAIL: Antenna coil is abnormal	–

NG REPLACE KEY SLOT

OK

**4 CHECK WIRE HARNESS (TRANSPONDER KEY ECU ASSY – KEY SLOT)
(TRANSPONDER KEY ECU ASSY OR KEY SLOT – BODY GROUND)**



- (a) Disconnect the T5 ECU connector.
- (b) Disconnect the K3 key slot connector.
- (c) Measure the resistance of the wire harness side connectors.

Standard:

Tester Connection	Specified Condition
T5-20 (VC5) – K3-1 (VC5)	Below 1 Ω
T5-21 (CODE) – K3-4 (CODE)	Below 1 Ω
T5-6 (TXCT) – K3-5 (TXCT)	Below 1 Ω
T5-7 (AGND) – K3-7 (GND)	Below 1 Ω
T5-20 (VC5) or K3-1 (VC5) – Body ground	10 kΩ or higher
T5-21 (CODE) or K3-4 (CODE) – Body ground	10 kΩ or higher
T5-6 (TXCT) or K3-5 (TXCT) – Body ground	10 kΩ or higher
T5-7 (AGND) or K3-7 (GND) – Body ground	10 kΩ or higher

NG → **REPAIR OR REPLACE WIRE HARNESS AND CONNECTOR**

OK

5 CHECK OPERATION OF KEY SLOT

- (a) After replacing the key slot with normally functioning key slot, check that the power switch's power mode can be changed to ON (ACC and IG) and the hybrid control system can be started.

OK:

Power switch's power mode can be changed to ON (ACC and IG) and hybrid control system can be started.

NG → **REPLACE TRANSPONDER KEY ECU ASSY**

OK

END (REPLACE KEY SLOT)