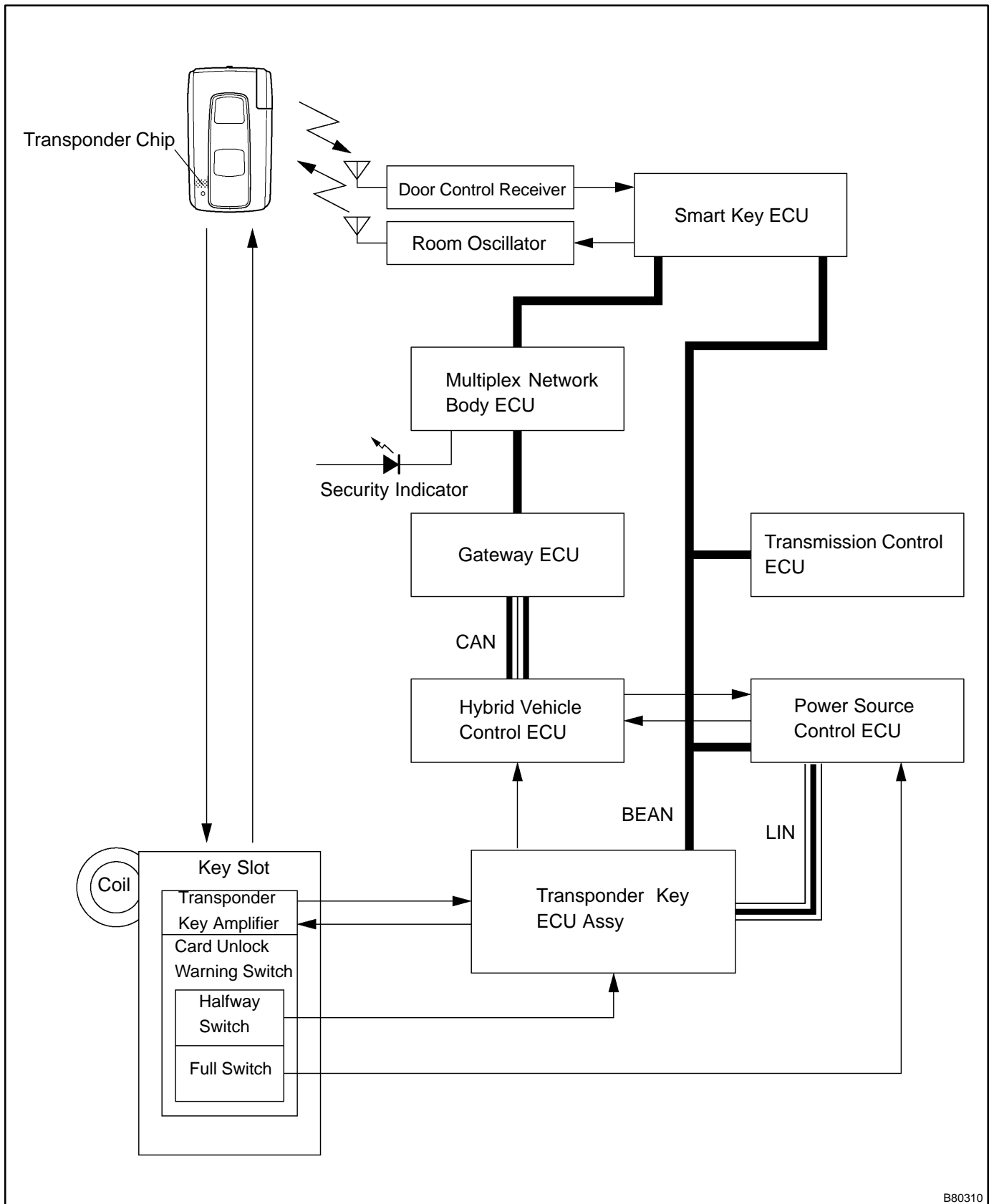


# SYSTEM DIAGRAM



B80310