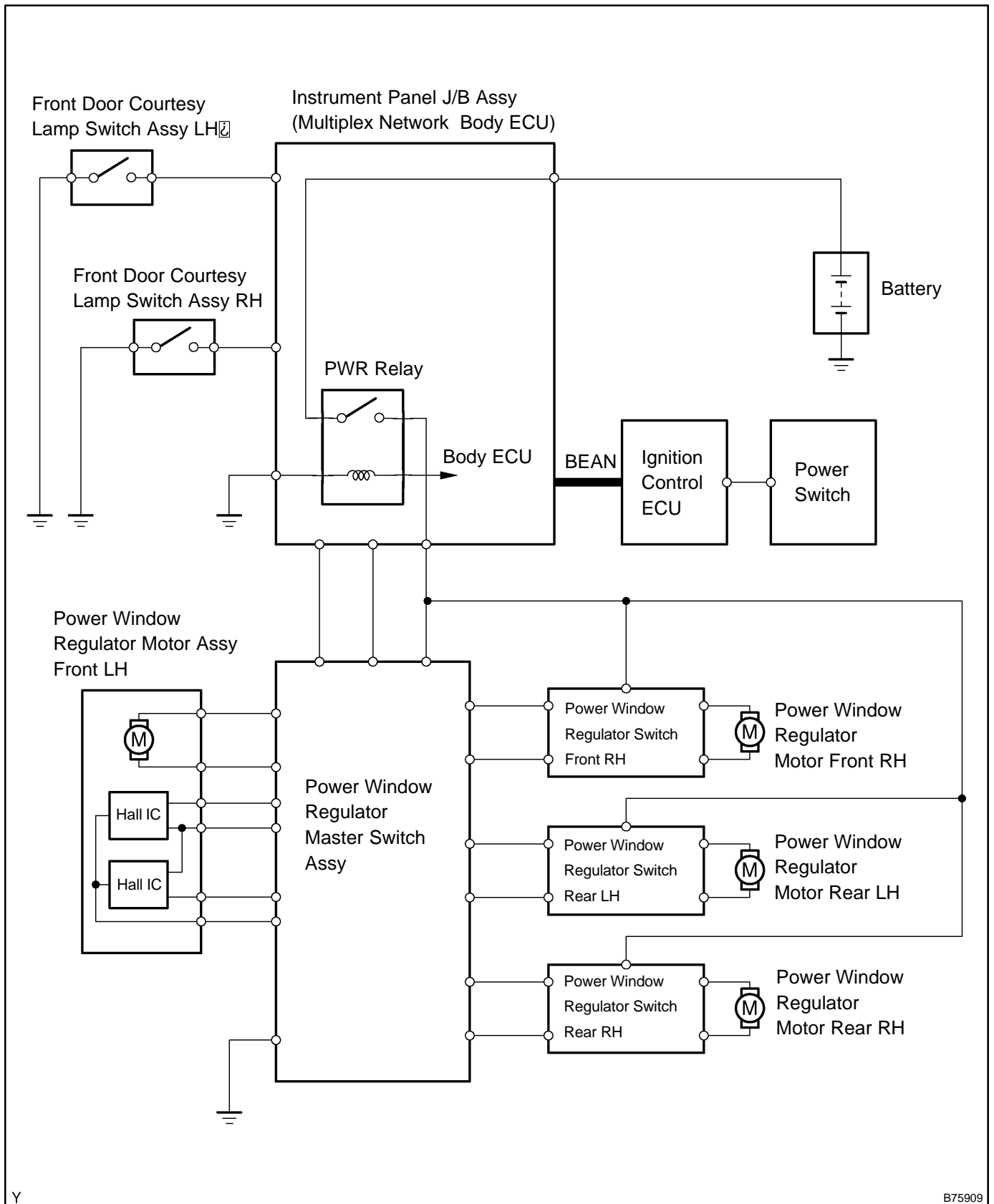


SYSTEM DIAGRAM



Y

B75909