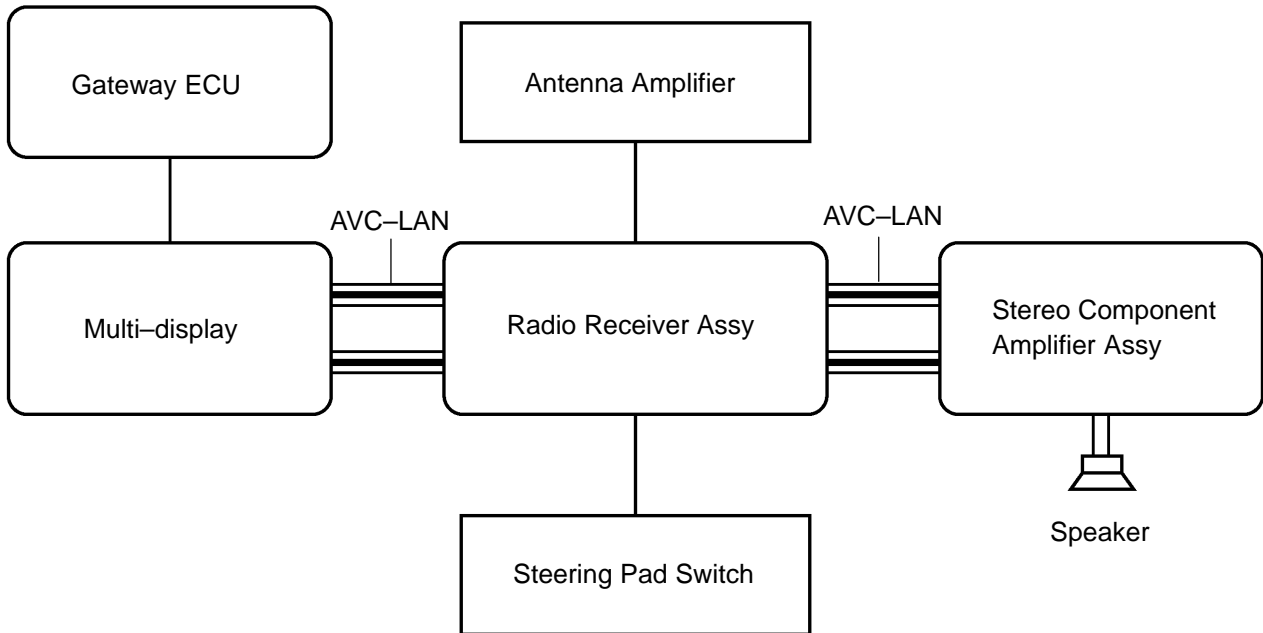
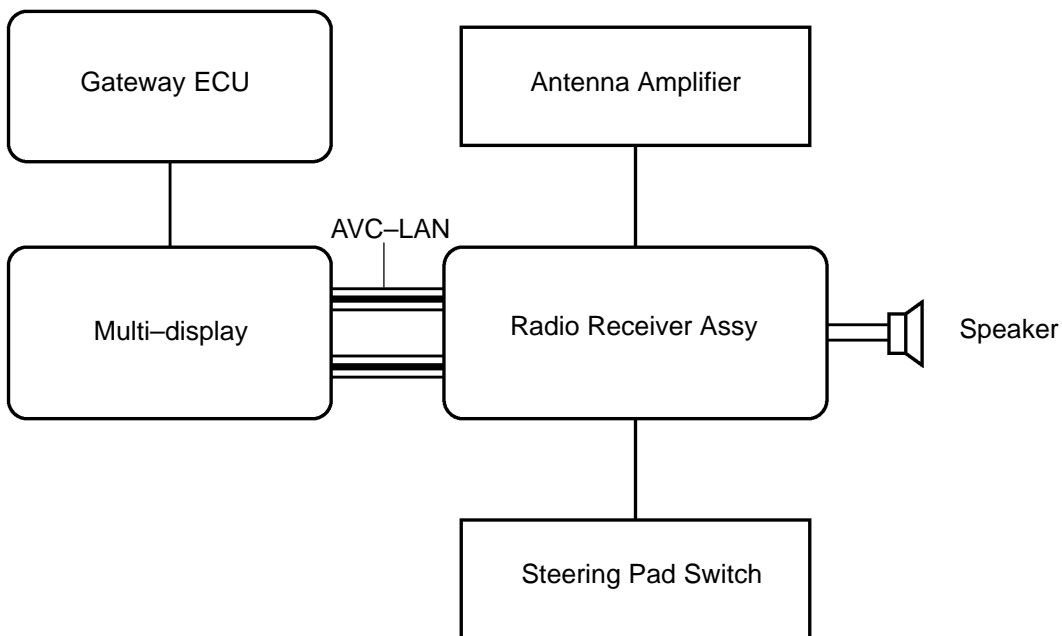


SYSTEM DIAGRAM

Separate Type Amplifier:



Built-in Type Amplifier:



N

139347