

AMP MUTE SIGNAL CIRCUIT (FROM NAVIGATION ECU)

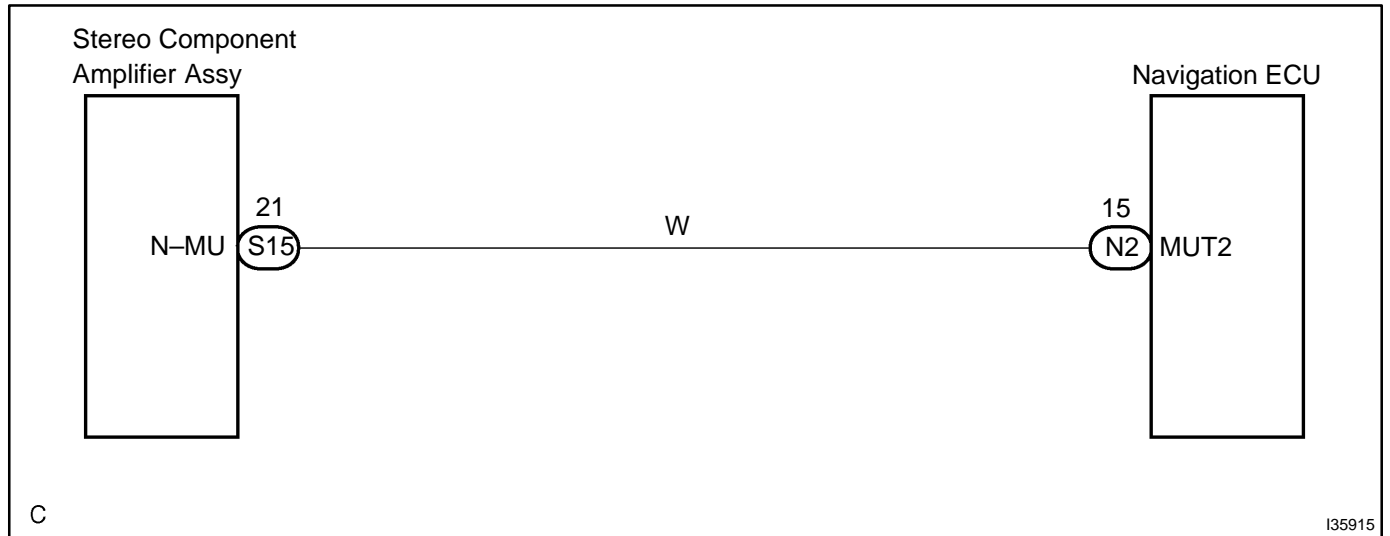
CIRCUIT DESCRIPTION

This circuit sends the signal to the stereo component amplifier to mute the noise. Because of that, the noise produced by changing the sound source ceases.

If there is an open in the circuit, noise can be heard from the speaker when changing the sound source.

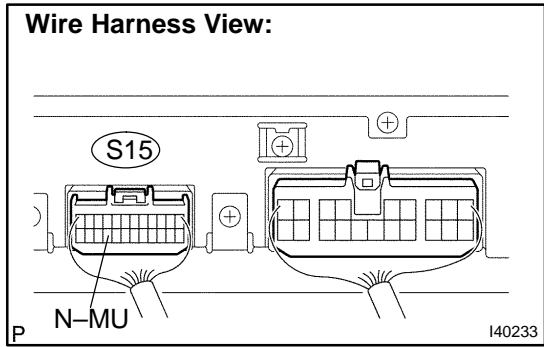
If there is a short in the circuit, even though the stereo component amplifier assy is normal, no sound or only extremely small sound can be produced.

WIRING DIAGRAM



INSPECTION PROCEDURE

1 INSPECT STEREO COMPONENT AMPLIFIER ASSY



(a) Measure the voltage according to the value in the table below.

Standard:

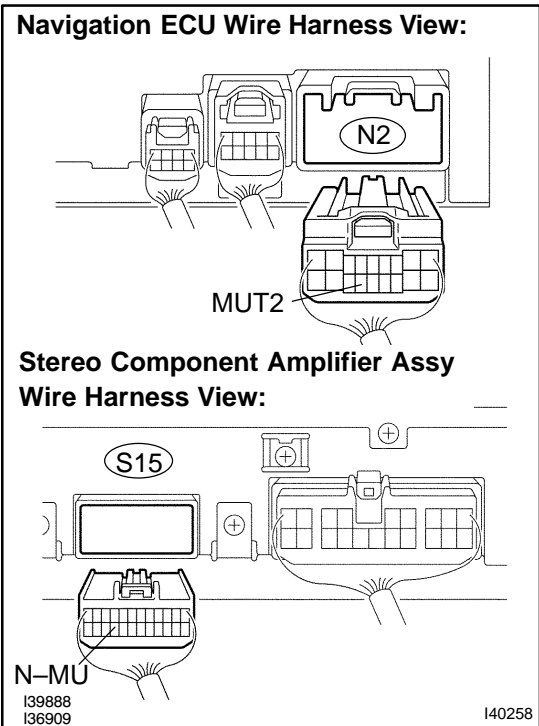
Tester connection	Condition	Specification
N-MU (S15-21) - Body ground	Power switch ON (ACC), Audio system is playing → Changing	Above 3.5 V → Below 1 V

NG → Go to step 2

OK

PROCEED TO NEXT CIRCUIT INSPECTION SHOWN IN PROBLEM SYMPTOMS TABLE (SEE PAGE 05-1778)

2 CHECK HARNESS AND CONNECTOR (NAVIGATION ECU - STEREO COMPONENT AMPLIFIER ASSY)



- (a) Disconnect the navigation ECU N2 connector and stereo component amplifier assy S15 connector.
- (b) Measure the resistance according to the values in the table below.

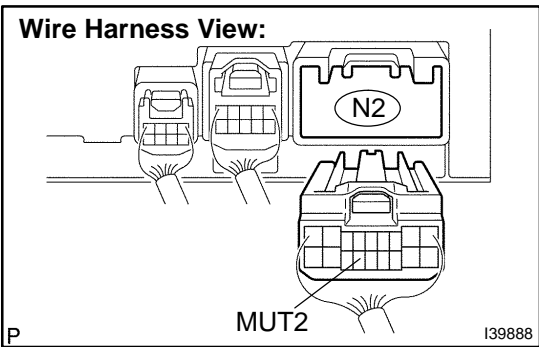
Standard:

Tester connection	Condition	Specified condition
N-MU (S15-21) - MUT2 (N2-15)	Always	Below 1 Ω
N-MU (S15-21) - Body ground	Always	10 kΩ or higher

NG REPAIR OR REPLACE HARNESS OR CONNECTOR

OK

3 INSPECT NAVIGATION ECU



- (a) Reconnect the stereo component amplifier assy connector.
- (b) Measure the voltage according to the value in the table below.

Standard:

Tester connection	Condition	Specification
MUT2 (N2-15) - Body ground	Power switch ON (ACC)	Above 3.5 V

NG REPLACE STEREO COMPONENT AMPLIFIER ASSY (SEE PAGE 67-25)

OK

REPLACE NAVIGATION ECU (SEE PAGE 67-23)