

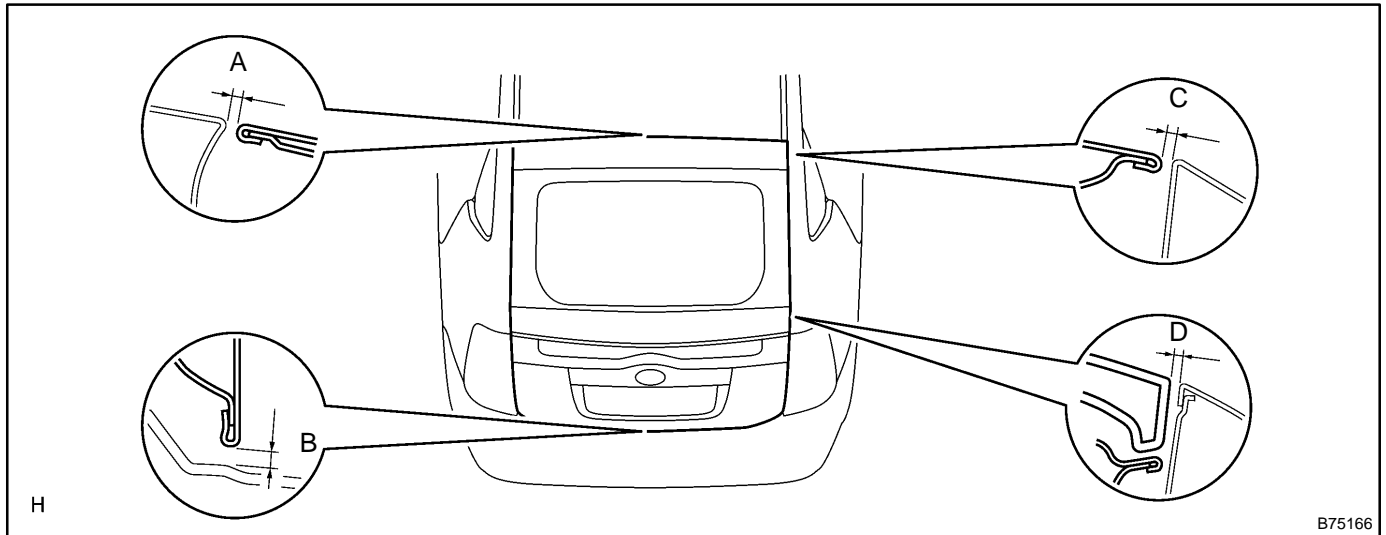
ADJUSTMENT

HINT:

A bolt without a torque specification is shown in the standard bolt chart (see page 03-2).

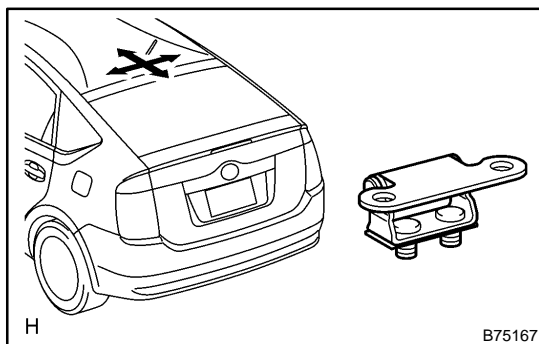
1. INSPECT BACK DOOR

- (a) Check that the clearance is within the standard range.



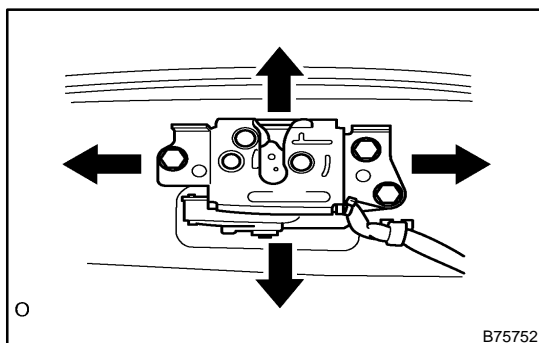
Standard:

Area	Measurement	Area	Measurement
A	6.6 ± 1.5 mm (0.260 ± 0.059 in.)	D	4.6 ± 1.5 mm (0.181 ± 0.059 in.)
B	5.8 ± 1.5 mm (0.228 ± 0.059 in.)	E	4.8 ± 1.5 mm (0.189 ± 0.059 in.)



2. ADJUST BACK DOOR

- (a) Adjust the top end of the back door panel on the horizontal plane by loosening the door side hinge bolt.
 (b) Tighten the door side hinge bolts after the adjustment.
Torque: 15 N·m (153 kgf·cm, 00 ft·lbf)



- (c) Vertically adjust the rear end of the back door panel by loosening the back door lock bolts.

NOTICE:

Tap the base for adjustment.

- (d) Tighten the 3 door lock bolts after the adjustment.
Torque: 7.5 N·m (76 kgf·cm, 75 in·lbf)