

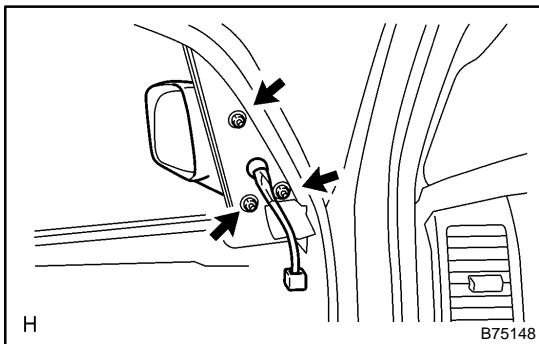
# OUTER REAR VIEW MIRROR

## REPLACEMENT

7011W-01

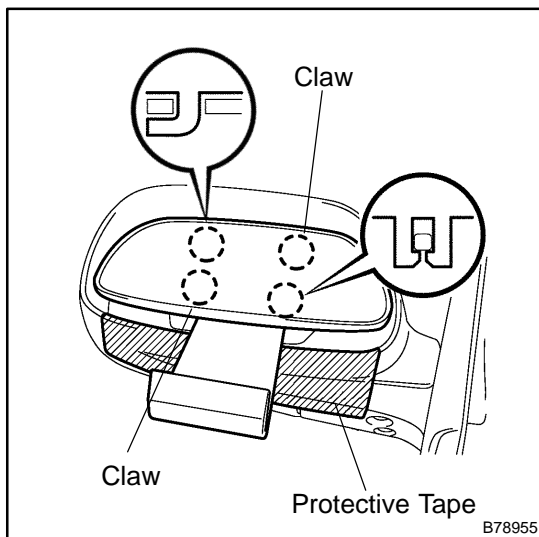
### HINT:

- The installation procedures are the removal procedures in reverse order. However, only installation procedures requiring additional information are included.
  - Use the same procedures for the RH side and LH side.
  - The procedures listed below are for the LH side.
1. REMOVE FRONT DOOR INSIDE HANDLE BEZEL (See page 75-9)
  2. REMOVE FRONT DOOR LOWER FRAME BRACKET GARNISH (See page 75-9)
  3. REMOVE DOOR PULL HANDLE (See page 75-9)
  4. REMOVE FRONT DOOR ARMREST BASE PANEL UPPER (See page 75-9)
  5. REMOVE FRONT DOOR TRIM BOARD SUB-ASSY (See page 75-9)



### 6. REMOVE OUTER REAR VIEW MIRROR ASSY

- (a) Disconnect the connector.
- (b) Remove the 3 nuts and mirror.

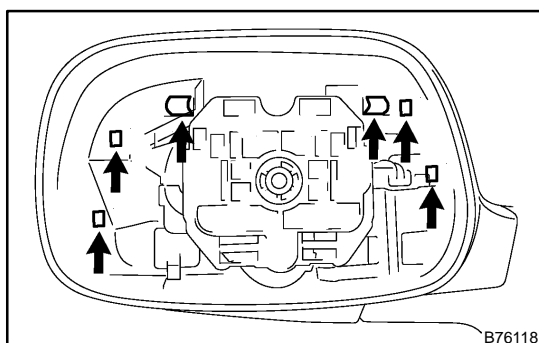


### 7. REMOVE OUTER MIRROR COVER

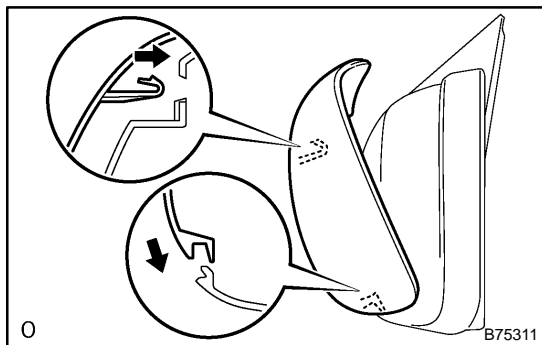
- (a) Using a moulding remover, disengage the 2 claws and outer rear view mirror.

### HINT:

Apply protective tape to the mirror body.

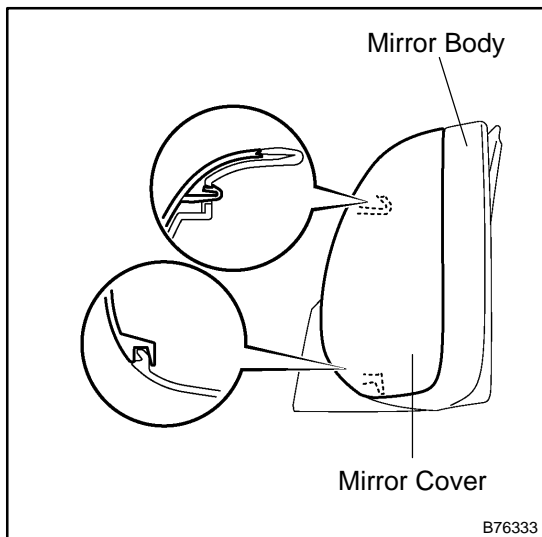


- (b) Disengage the 6 claws and remove the mirror cover.



## 8. INSTALL OUTER MIRROR COVER

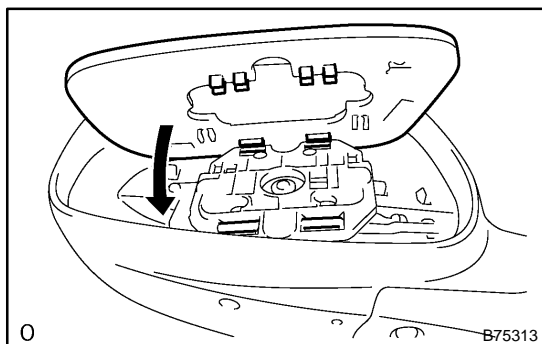
- (a) Install the mirror cover, as shown in the illustration.



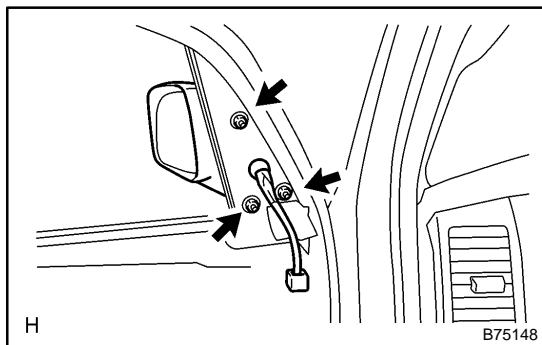
- (b) After installing the outer mirror cover, check that there is no gap between the cover and mirror body.

### HINT:

If there is a gap between the cover and body, noise will occur during driving.



- (c) Install the outer mirror, as shown in the illustration.



## 9. INSTALL OUTER REAR VIEW MIRROR ASSY

- (a) Install the mirror with the 3 nuts.

**Torque: 5.5 N·m (56 kgf·cm, 49 in.-lbf)**