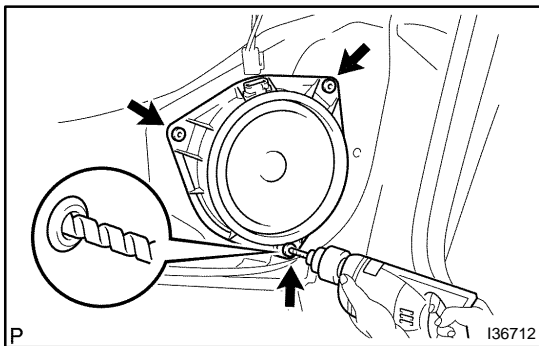


REAR SPEAKER ASSY REPLACEMENT

6716K-01

HINT:

- COMPONENTS: See page 67-2
 - Use the same procedures for the RH side and LH side.
 - The procedures listed below are for the LH side.
 - Installation is in the reverse order of removal.
1. REMOVE REAR DOOR INSIDE HANDLE BEZEL LH (SEE PAGE 75-22)
 2. REMOVE DOOR PULL HANDLE (SEE PAGE 75-22)
 3. REMOVE REAR DOOR ARMREST BASE PANEL UPPER LH (SEE PAGE 75-22)
 4. REMOVE REAR DOOR TRIM BOARD SUB-ASSY LH (SEE PAGE 75-22)



5. REMOVE REAR SPEAKER ASSY

- (a) Disconnect the connector.
- (b) Drill out the 3 rivet heads using a drill with a bit diameter of less than 4 mm (0.16 in.), and remove the rear speaker assy from the rear door panel.
- (c) Operate the drill along the rivet head circumference and cut out the flange.

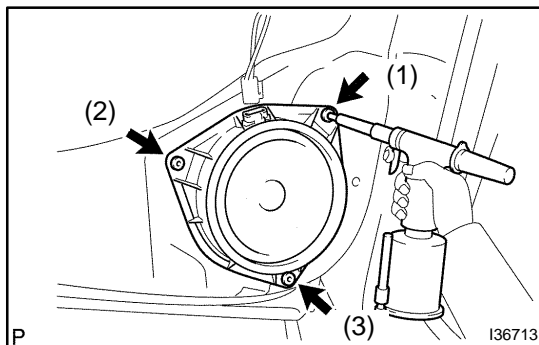
NOTICE:

Prying the rivet using a drill may scratch the rivet hole or break the drill bit.

CAUTION:

Be careful. The cut rivet is very hot.

- (d) After drilling out the flange, continue drilling to push out the shards on the drill.
- (e) Using a vacuum cleaner, remove the holed rivet and foreign matter from the front door panel.

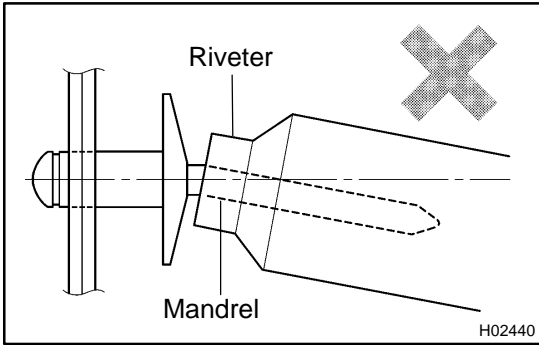


6. INSTALL REAR SPEAKER ASSY

- (a) Using an air riveter or hand riveter, install 3 new strike rivets on the rear speaker assy on the front door panel.

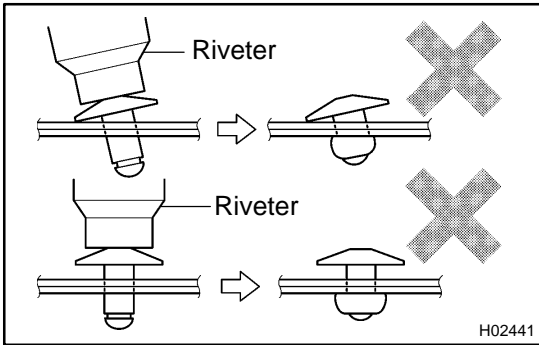
HINT:

Install the new strike rivets in order as shown in the illustration.

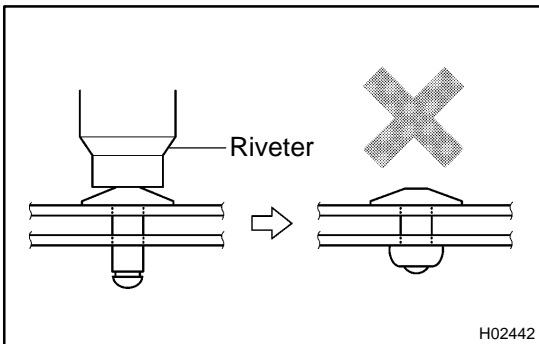


NOTICE:

- Do not tilt the rivet head. Doing so may scratch the riveter or bend the loosened rivet on the mandrel.



- Do not tilt the riveter or remove the rivet from the material. Material that is not securely tightened may become loose.



- The rivet should be installed only when there is no clearance between materials to ensure secure installation.

(b) Connect the connector.