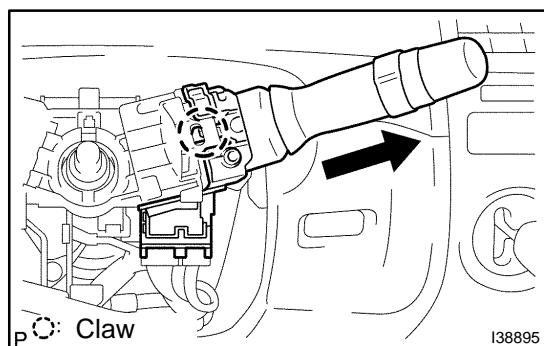


WINDSHIELD WIPER SWITCH ASSY

660HM-01

REPLACEMENT

1. DISCONNECT BATTERY NEGATIVE TERMINAL (SEE PAGE 60-1)
2. REMOVE STEERING WHEEL COVER LOWER NO.2 (SEE PAGE 60-20)
3. REMOVE STEERING WHEEL COVER LOWER NO.3 (SEE PAGE 60-20)
4. REMOVE HORN BUTTON ASSY (SEE PAGE 60-20)
5. REMOVE STEERING WHEEL ASSY (SEE PAGE 50-8)
SST 09950-50013 (09951-05010, 09952-05010, 09953-05020, 09954-05021)
6. REMOVE TILT LEVER BRACKET (SEE PAGE 50-8)
7. REMOVE STEERING COLUMN COVER (SEE PAGE 50-8)



8. REMOVE WINDSHIELD WIPER SWITCH ASSY

- (a) Disconnect the connector.
- (b) Push and disengage the claw shown in the illustration and remove the windshield wiper switch assy.

NOTICE:

The claw will be broken if pressed too hard.

9. CENTER SPIRAL CABLE (SEE PAGE 60-29)
10. INSTALL STEERING WHEEL ASSY (SEE PAGE 50-8)
11. INSTALL HORN BUTTON ASSY (SEE PAGE 60-20)
12. CONNECT BATTERY NEGATIVE TERMINAL (SEE PAGE 21-54)
13. INSPECT HORN BUTTON ASSY (SEE PAGE 60-14)
14. INSPECT SRS WARNING LIGHT (SEE PAGE 05-1384)
15. PERFORM INITIALIZATION (SEE PAGE 01-28)