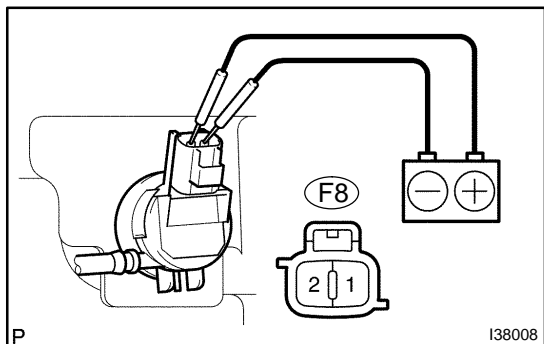


ON-VEHICLE INSPECTION



1. WINDSHIELD WASHER MOTOR AND PUMP ASSY

(a) Operation Check

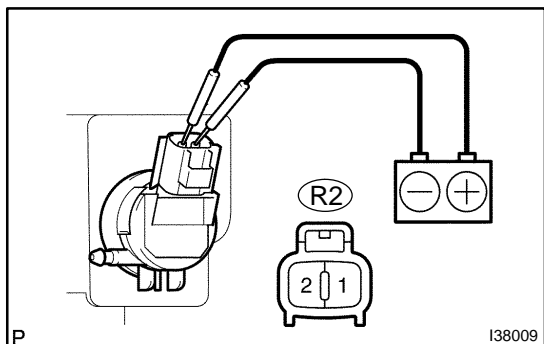
- (1) Fill the washer jar with washer fluid.

HINT:

Operation should be performed with the windshield washer motor and pump assy installed to the washer jar assy.

- (2) Connect the positive battery (+) lead to terminal 1 of the windshield washer motor and pump assy, and the negative battery (-) lead to terminal 2. Check that washer fluid flows from the washer jar.

Standard: Washer fluid flows from the washer jar.



2. REAR WASHER MOTOR ASSY (w/ Rear Wiper)

(a) Operation Check

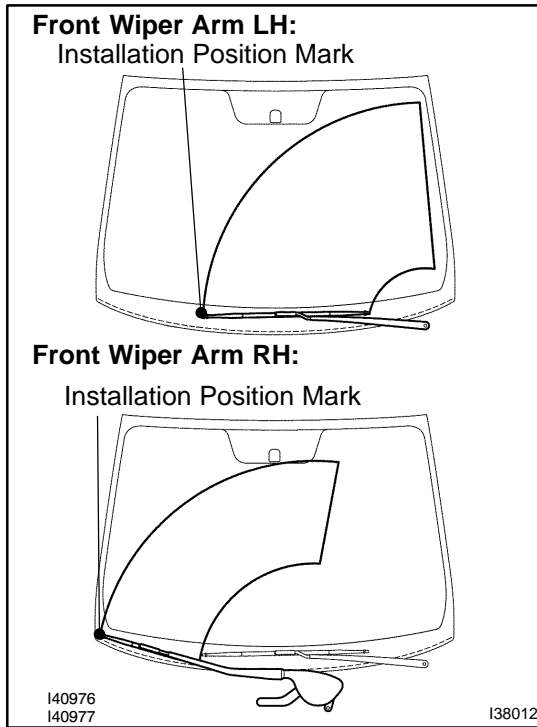
- (1) Fill the washer jar with washer fluid.

HINT:

Operation should be performed with the windshield washer motor and pump assy installed to the washer jar assy.

- (2) Connect the positive battery (+) lead to terminal 1 of the windshield washer motor and pump assy, and the negative battery (-) lead to terminal 2. Check that washer fluid flows from the washer jar.

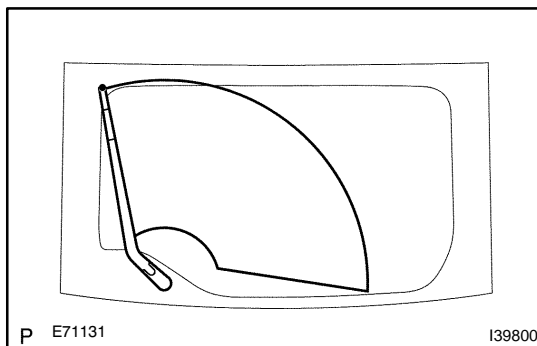
Standard: Washer fluid flows from the washer jar.



3. WINDSHIELD WIPER MOTOR ASSY

- (a) Automatic Stop Position Inspection
- (1) Operate the windshield wiper motor assy, and then stop the operation.
 - (2) Check the automatic stop position when stopping the windshield wiper motor assy operation.

Standard: Front wiper arm stops at the position shown in the illustration.



4. REAR WIPER MOTOR ASSY

- (a) Automatic Stop Position Inspection
- (1) Operate the rear wiper motor assy, and then stop the operation.
 - (2) Check the automatic stop position when stopping the rear wiper motor assy operation.

Standard: Rear wiper arm stops at the position shown in the illustration.