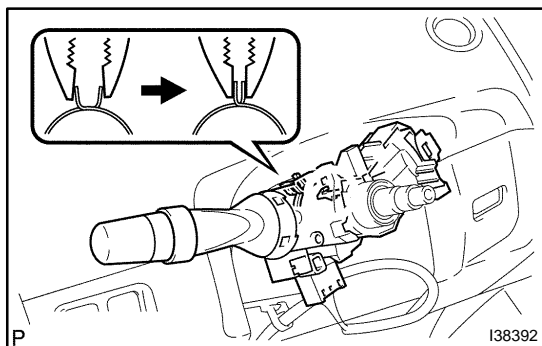


HEADLAMP DIMMER SWITCH ASSY

65127-01

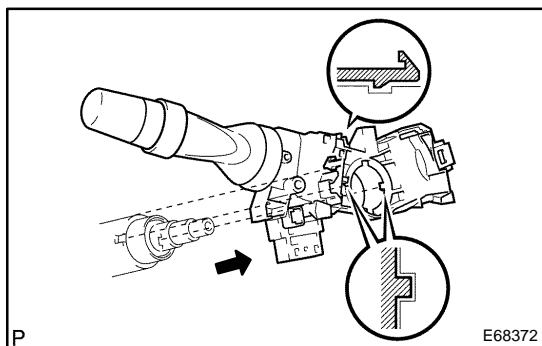
REPLACEMENT

1. DISCONNECT BATTERY NEGATIVE TERMINAL (SEE PAGE 60-1)
2. REMOVE STEERING WHEEL COVER LOWER NO.2 (SEE PAGE 60-20)
3. REMOVE STEERING WHEEL COVER LOWER NO.3 (SEE PAGE 60-20)
4. REMOVE HORN BUTTON ASSY (SEE PAGE 60-20)
5. REMOVE STEERING WHEEL ASSY (SEE PAGE 50-8)
SST 09950-50013 (09951-05010, 09952-05010, 09953-05020, 09954-05021)
6. REMOVE STEERING COLUMN COVER (SEE PAGE 50-8)
7. REMOVE SPIRAL CABLE SUB-ASSY (SEE PAGE 60-29)
8. REMOVE WINDSHIELD WIPER SWITCH ASSY (SEE PAGE 66-23)

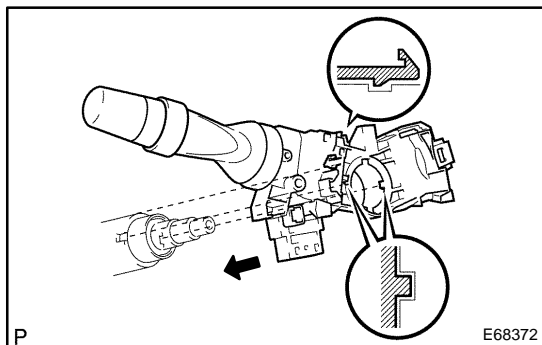


9. REMOVE HEADLAMP DIMMER SWITCH ASSY

- (a) Disconnect the connectors.
- (b) Remove the band clamp as shown in the illustration.

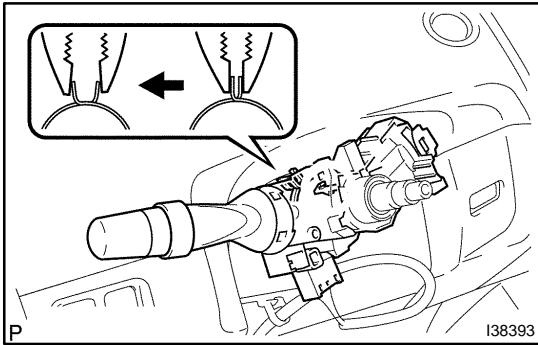


- (c) Disengage the claws and remove the headlamp dimmer switch assembly.



10. INSTALL HEADLAMP DIMMER SWITCH ASSY

- (a) Insert the headlamp dimmer switch assembly so that the recessed portion of the rotating stopper matches that of the rotating stopper.



- (b) Install the headlamp dimmer switch with the band clamp and claw.
- (c) Connect the connectors.

11. **CENTER SPIRAL CABLE (SEE PAGE 60-29)**
12. **INSTALL STEERING WHEEL ASSY (SEE PAGE 50-8)**
13. **INSTALL HORN BUTTON ASSY (SEE PAGE 60-20)**
14. **CONNECT BATTERY NEGATIVE TERMINAL (SEE PAGE 21-54)**
15. **INSPECT HORN BUTTON ASSY (SEE PAGE 60-14)**
16. **INSPECT SRS WARNING LIGHT (SEE PAGE 05-1384)**
17. **PERFORM INITIALIZATION (SEE PAGE 01-28)**