

# BRAKE CONTROL POWER SUPPLY ASSY

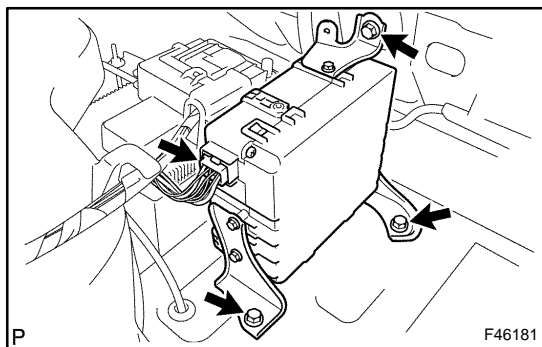
## REPLACEMENT

3215M-01

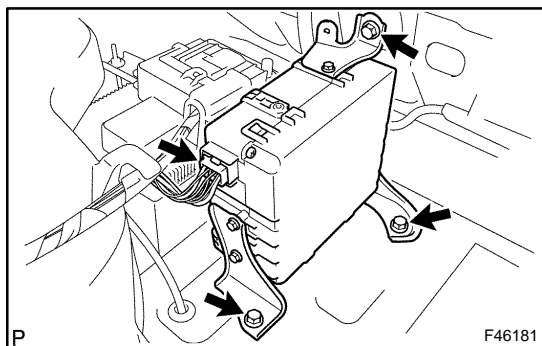
1. REMOVE REAR SEAT CUSHION ASSY (SEE PAGE 72-9)
2. REMOVE DECK TRIM SIDE PANEL ASSY RH (SEE PAGE 76-28)

### HINT:

Refer to the procedures from the removal of the rear door scuff plate RH up until the removal of the deck trim side panel assy RH.



3. REMOVE BRAKE CONTROL POWER SUPPLY ASSY
  - (a) Disconnect the connector and remove the 3 bolts and the brake control power supply assy.



4. INSTALL BRAKE CONTROL POWER SUPPLY ASSY
  - (a) Install the brake control power supply assy with the 3 bolts.  
**Torque: 19 N·m (194 kgf·cm, 14 ft·lbf)**
  - (b) Connect the connector to the brake control power supply assy.

5. INSTALL DECK TRIM SIDE PANEL ASSY RH
6. INSTALL REAR SEAT CUSHION ASSY (SEE PAGE 72-9)
7. CHECK AND CLEAR DTC (SEE PAGE 05-975)