

## REPLACEMENT

1. REMOVE FR WIPER ARM LH (SEE PAGE 66-14)
2. REMOVE FR WIPER ARM RH (SEE PAGE 66-14)
3. REMOVE HOOD TO COWL TOP SEAL (SEE PAGE 66-14)
4. REMOVE COWL TOP VENTILATOR LOUVER LH (SEE PAGE 66-14)
5. REMOVE COWL TOP VENTILATOR LOUVER RH (SEE PAGE 66-14)
6. REMOVE WINDSHIELD WIPER MOTOR & LINK ASSY (SEE PAGE 66-14)
7. BRAKE CONTROL (ECB) OFF (SEE PAGE 32-24)

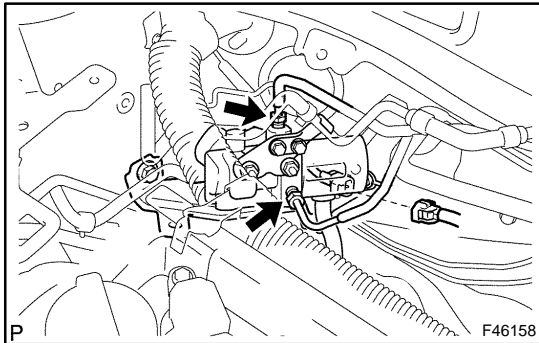
### NOTICE:

Prohibit the brake control (ECB) certainly before bleeding the brake fluid.

8. REMOVE COWL TOP PANEL SUB-ASSY OUTER FRONT (SEE PAGE 32-24)
9. DRAIN BRAKE FLUID

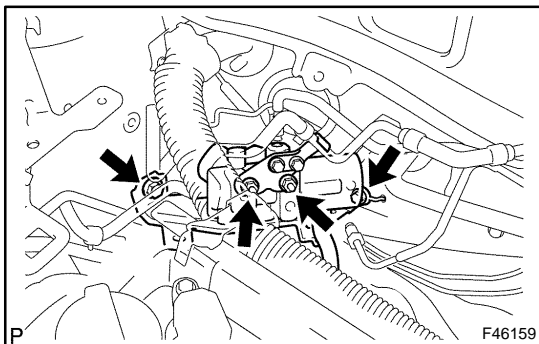
### NOTICE:

Wash brake fluid off immediately if it adheres to any painted surface.

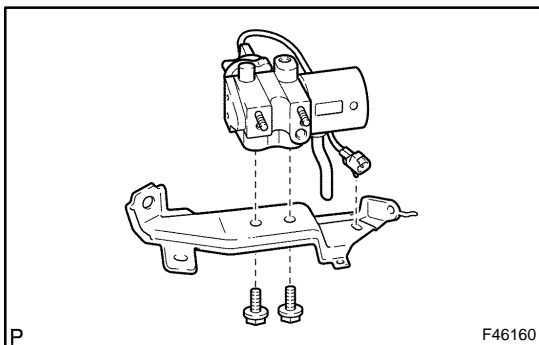


### 10. REMOVE BRAKE STROKE SIMULATOR CYLINDER SUB-ASSY

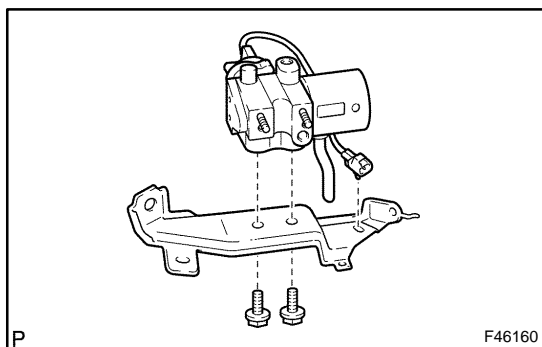
- (a) Using SST, separate the 2 brake tubes from the brake simulator cylinder sub-assy.  
SST 09023-00100
- (b) Disconnect the connector.



- (c) Remove the 2 nuts and 2 bolts, and remove the brake stroke simulator with bracket.

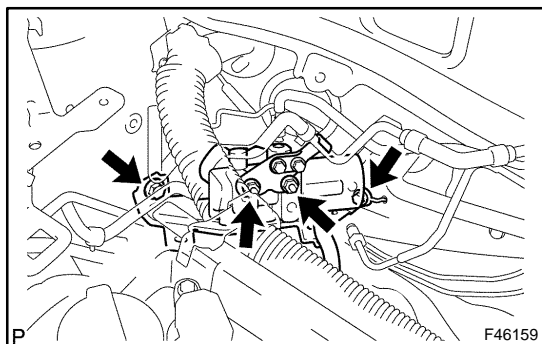


- (d) Remove the 2 bolts and clamp of connector, and remove the bracket from the brake stroke simulator.
- (e) Remove the 2 stud bolts from the brake stroke simulator.

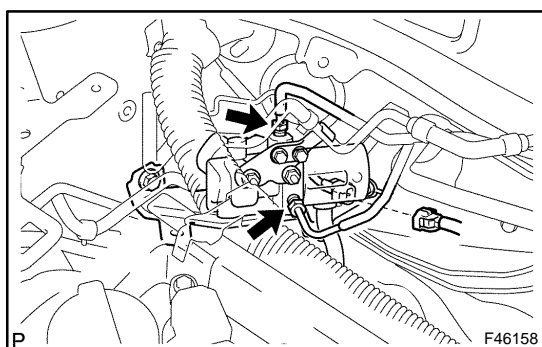


**11. INSTALL BRAKE STROKE SIMULATOR CYLINDER SUB-ASSY**

- (a) Install the 2 stud bolts to the brake stroke simulator.  
**Torque: 5.0 N·m (51 kgf·cm, 44 in.-lbf)**
- (b) Install the brake stroke simulator to the bracket with the 2 bolts.  
**Torque: 6.0 N·m (61 kgf·cm, 53 in.-lbf)**
- (c) Install the connector clamp of brake stroke simulator to the bracket.



- (d) Install the brake stroke simulator and bracket to the body with the 2 nuts and 2 bolts.  
**Torque: 8.5 N·m (87 kgf·cm, 75 in.-lbf)**



- (e) Using SST, install the 2 brake tubes to the brake stroke simulator cylinder sub-assy.  
SST 09023-00100  
**Torque: 15 N·m (155 kgf·cm, 11 ft.-lbf)**
- (f) Connect the connector.

**12. INSTALL COWL TOP PANEL SUB-ASSY OUTER FRONT (SEE PAGE 32-24)**

**13. INSTALL WINDSHIELD WIPER MOTOR & LINK ASSY (SEE PAGE 66-14)**

**14. INSTALL FR WIPER ARM LH (SEE PAGE 66-14)**

**15. INSTALL FR WIPER ARM RH (SEE PAGE 66-14)**

**16. FILL RESERVOIR WITH BRAKE FLUID (SEE PAGE 32-4)**

**17. BLEED MASTER CYLINDER /STROKE SIMULATOR (SEE PAGE 32-4)**

**18. CHECK BRAKE FLUID LEAKAGE**

**19. CHECK FLUID LEVEL IN RESERVOIR**

**20. CHECK AND CLEAR DTC (SEE PAGE 05-975)**

**21. SYSTEM INITIALIZATION (SEE PAGE 05-958)**

**22. CHECK OPERATION (SEE PAGE 32-30)**