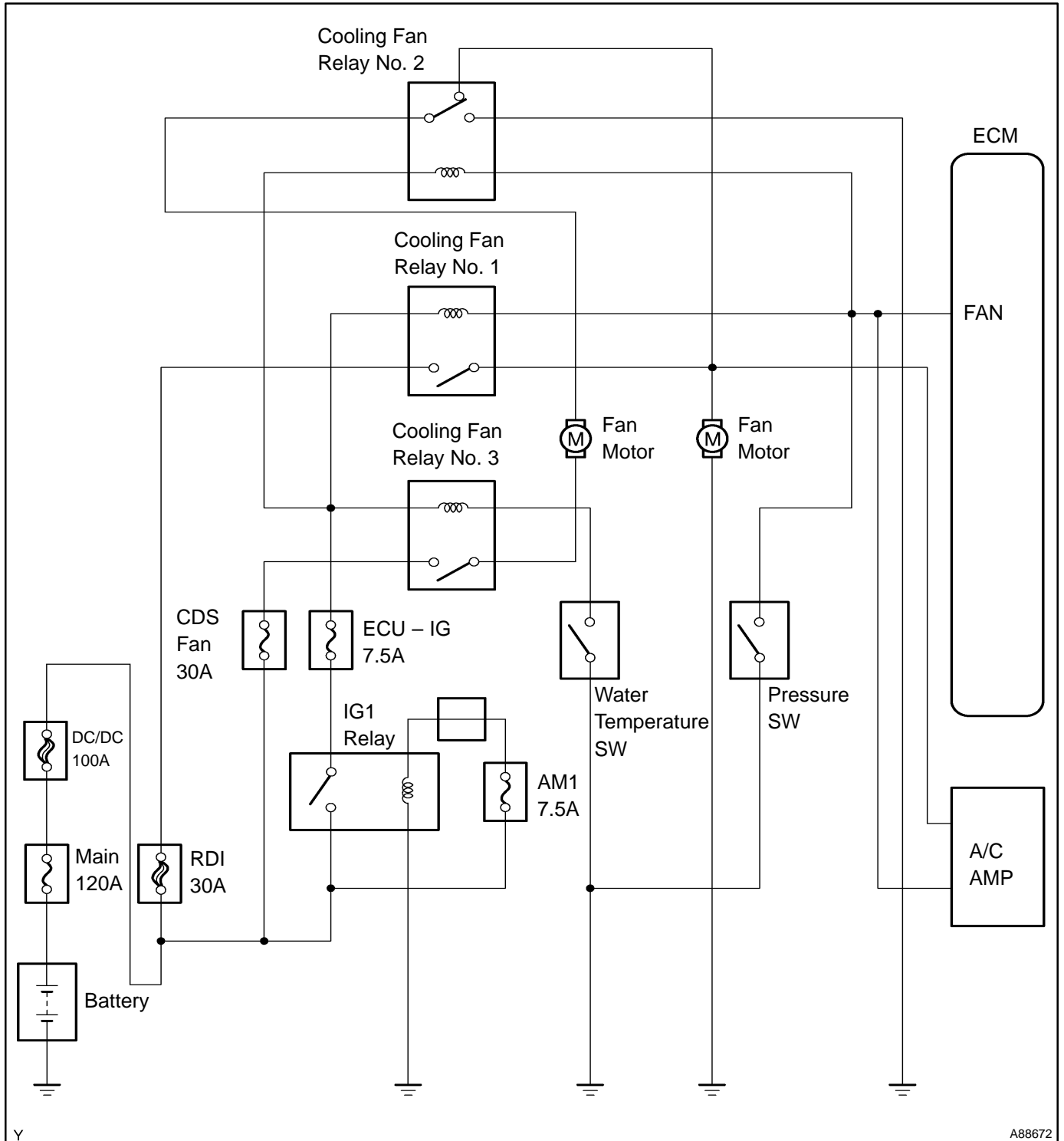


SYSTEM DIAGRAM



Y

A88672