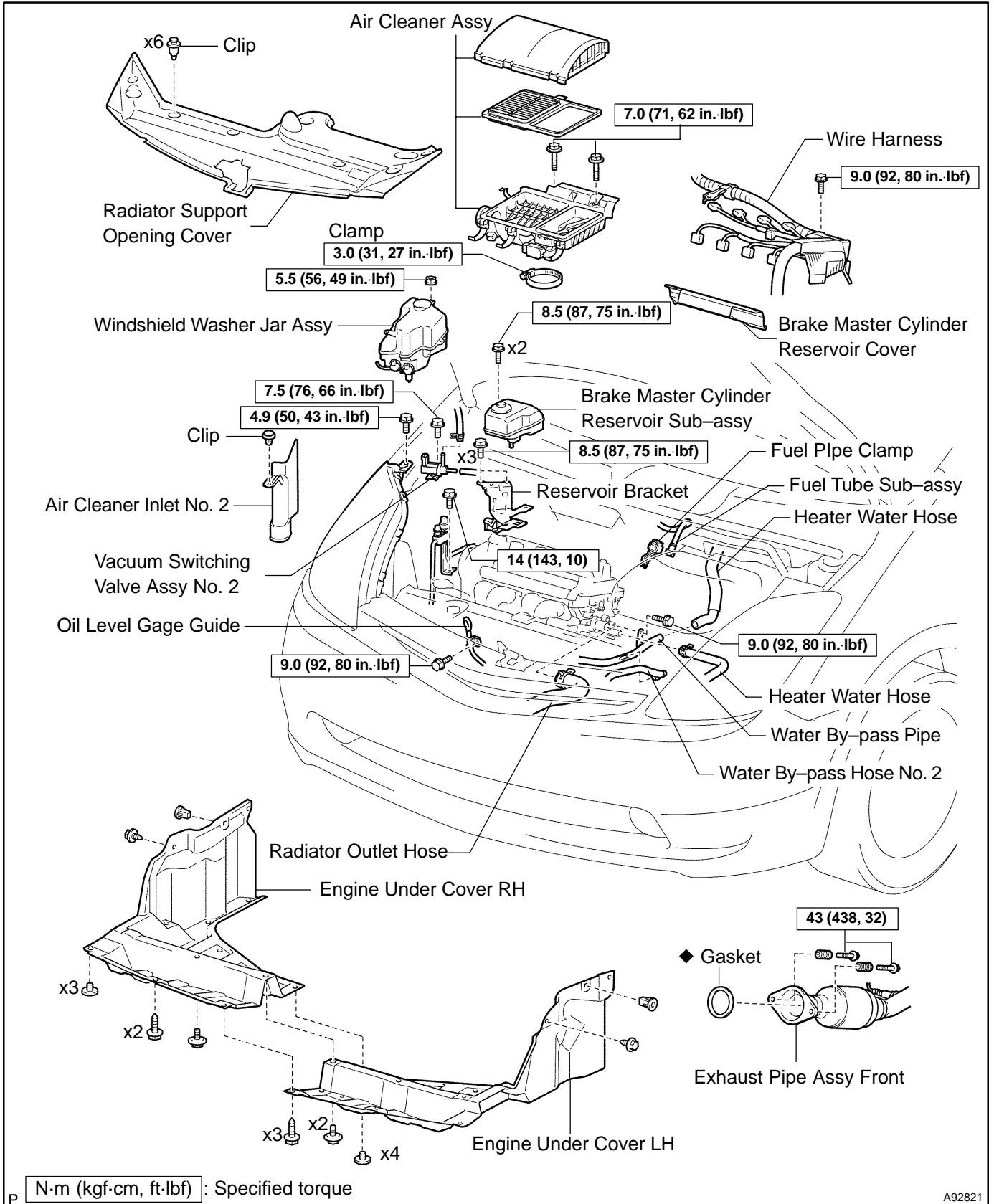
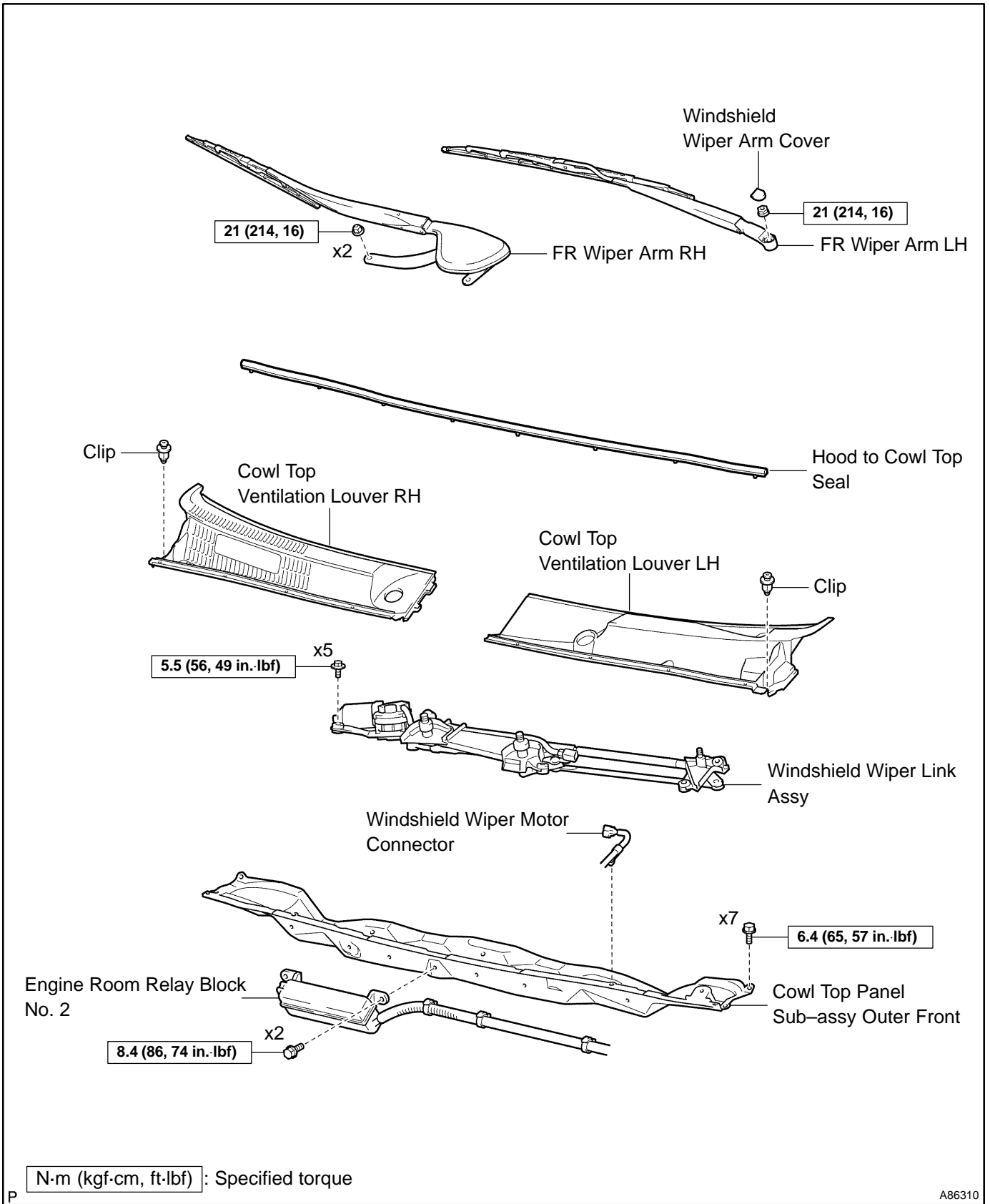


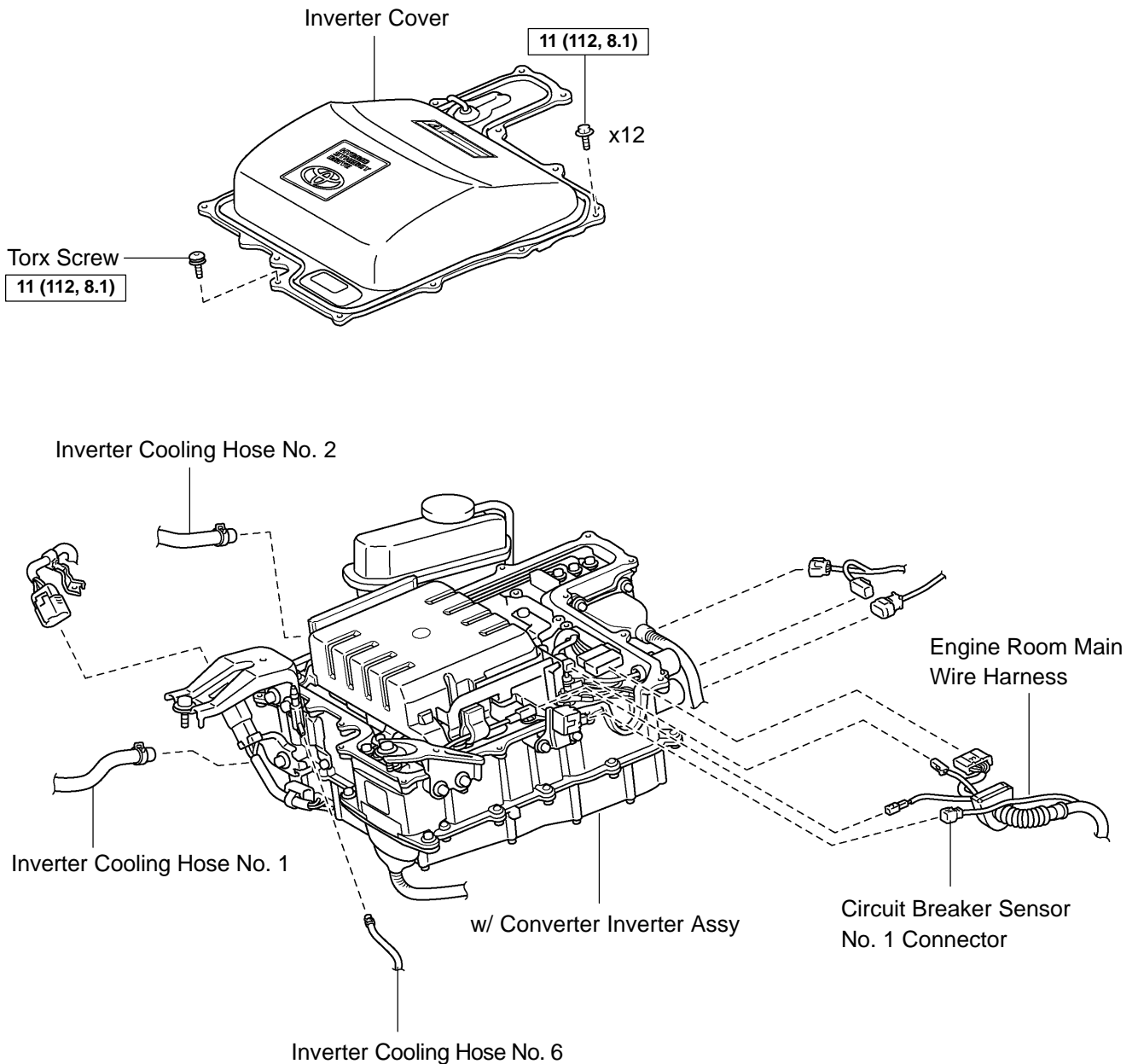
CYLINDER HEAD GASKET (1NZ-FXE) COMPONENTS

1410T-01



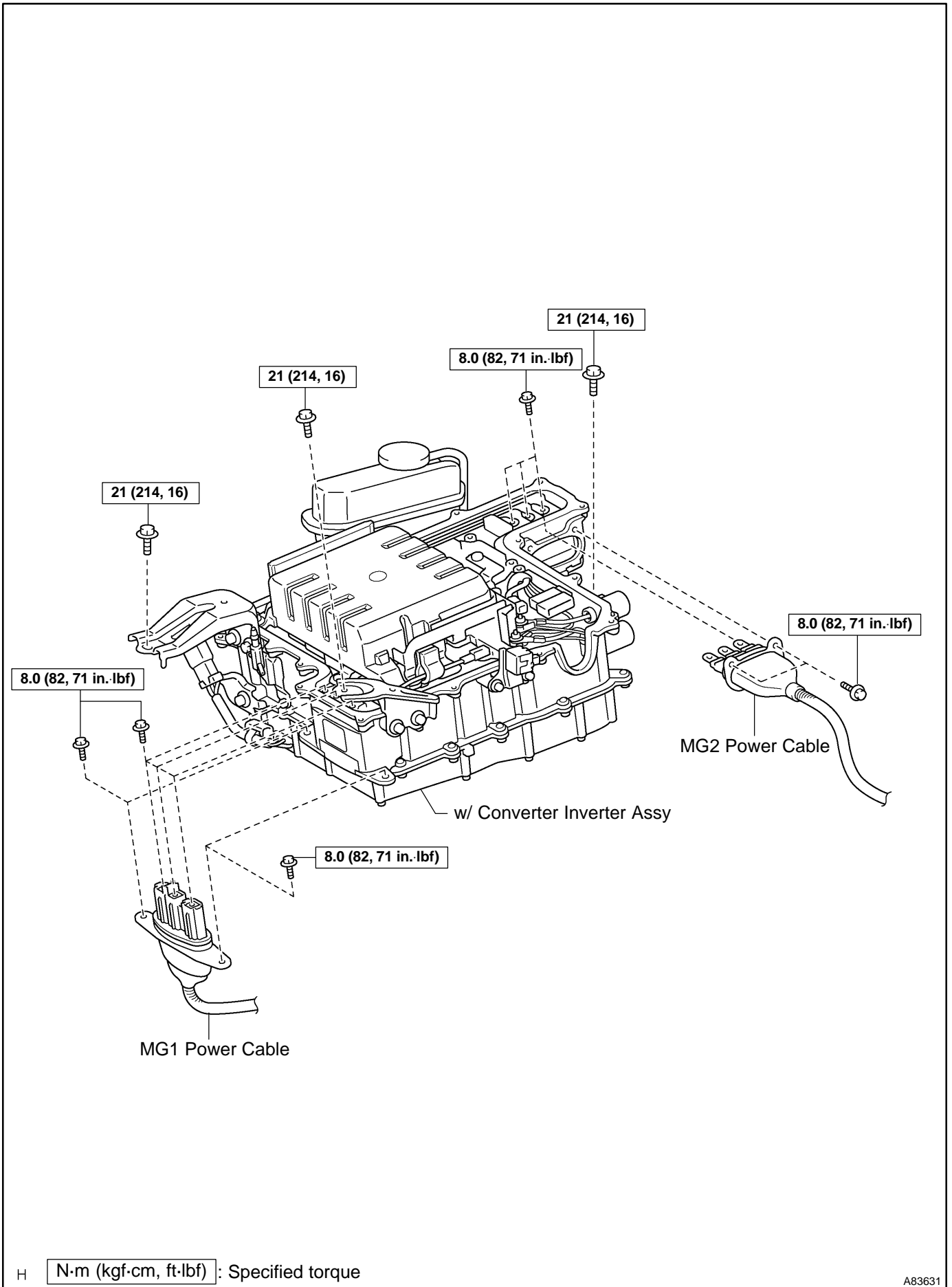
A92821

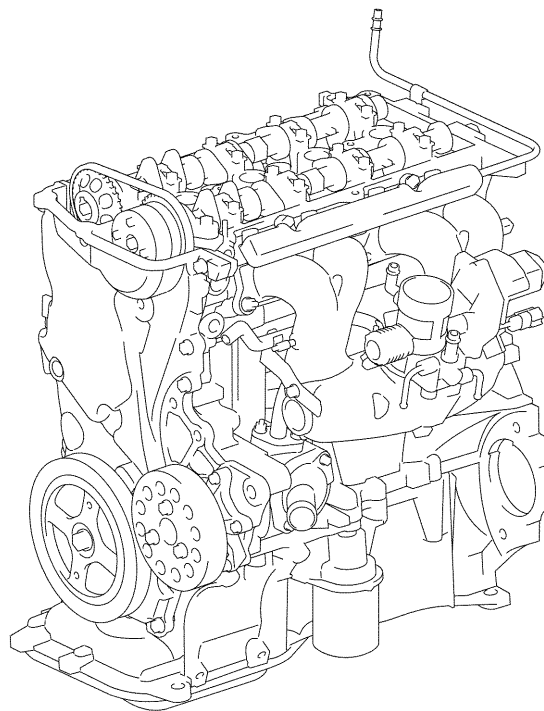
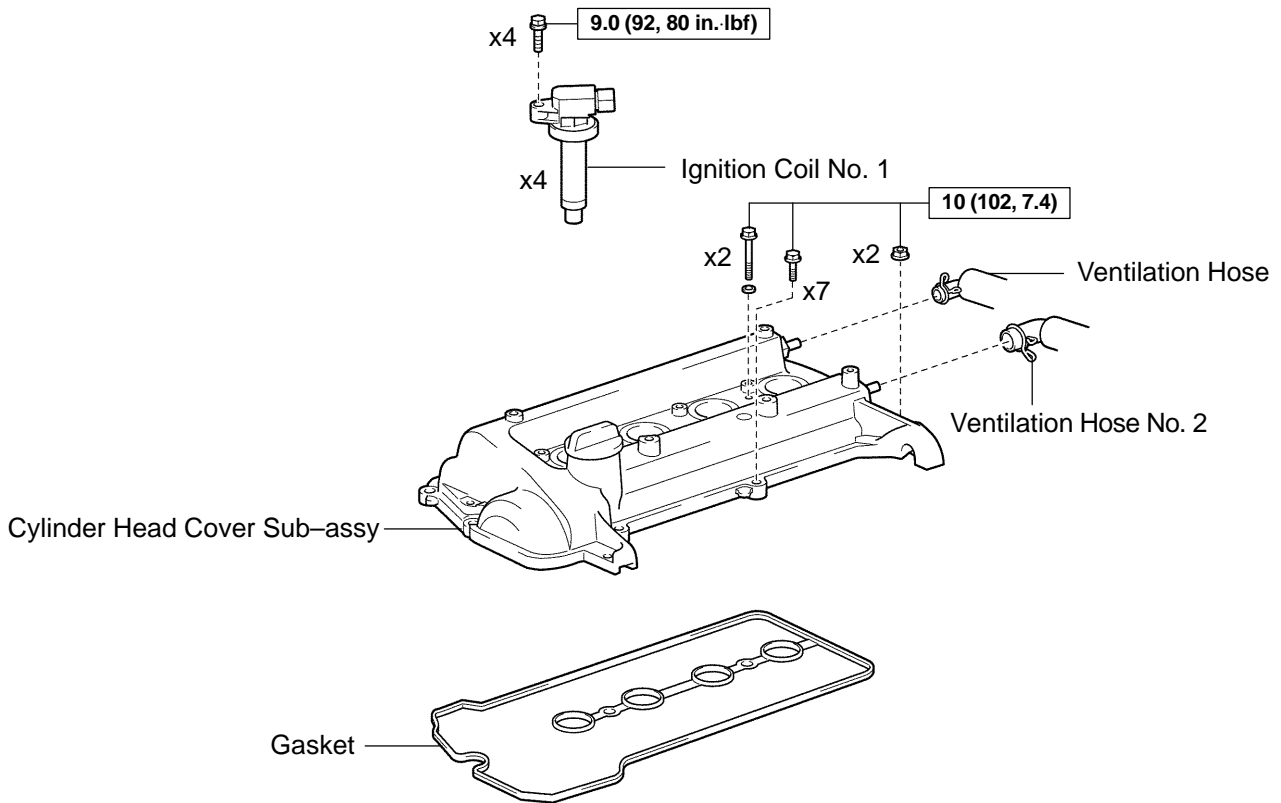




N·m (kgf·cm, ft·lbf) : Specified torque

A92987

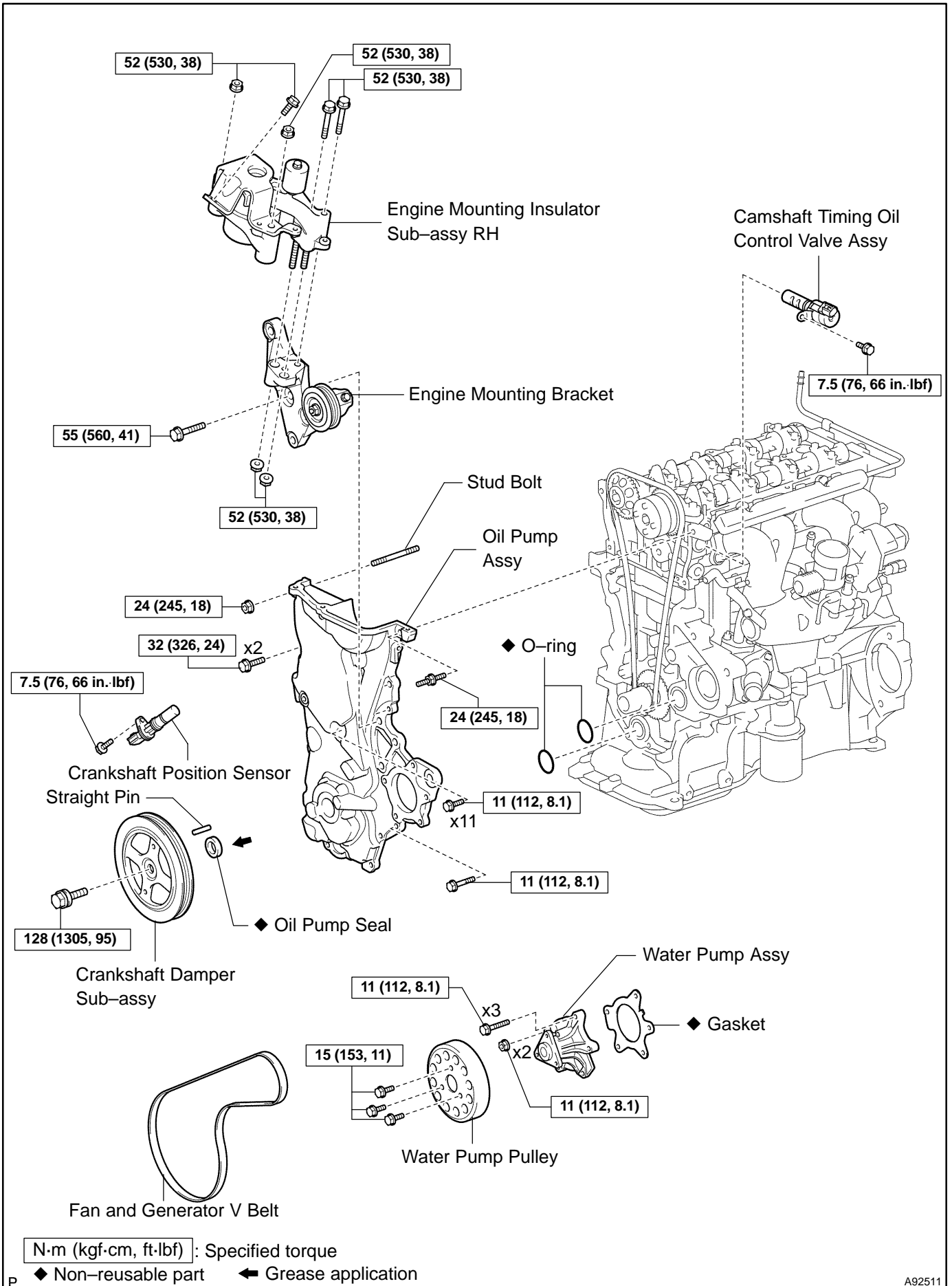




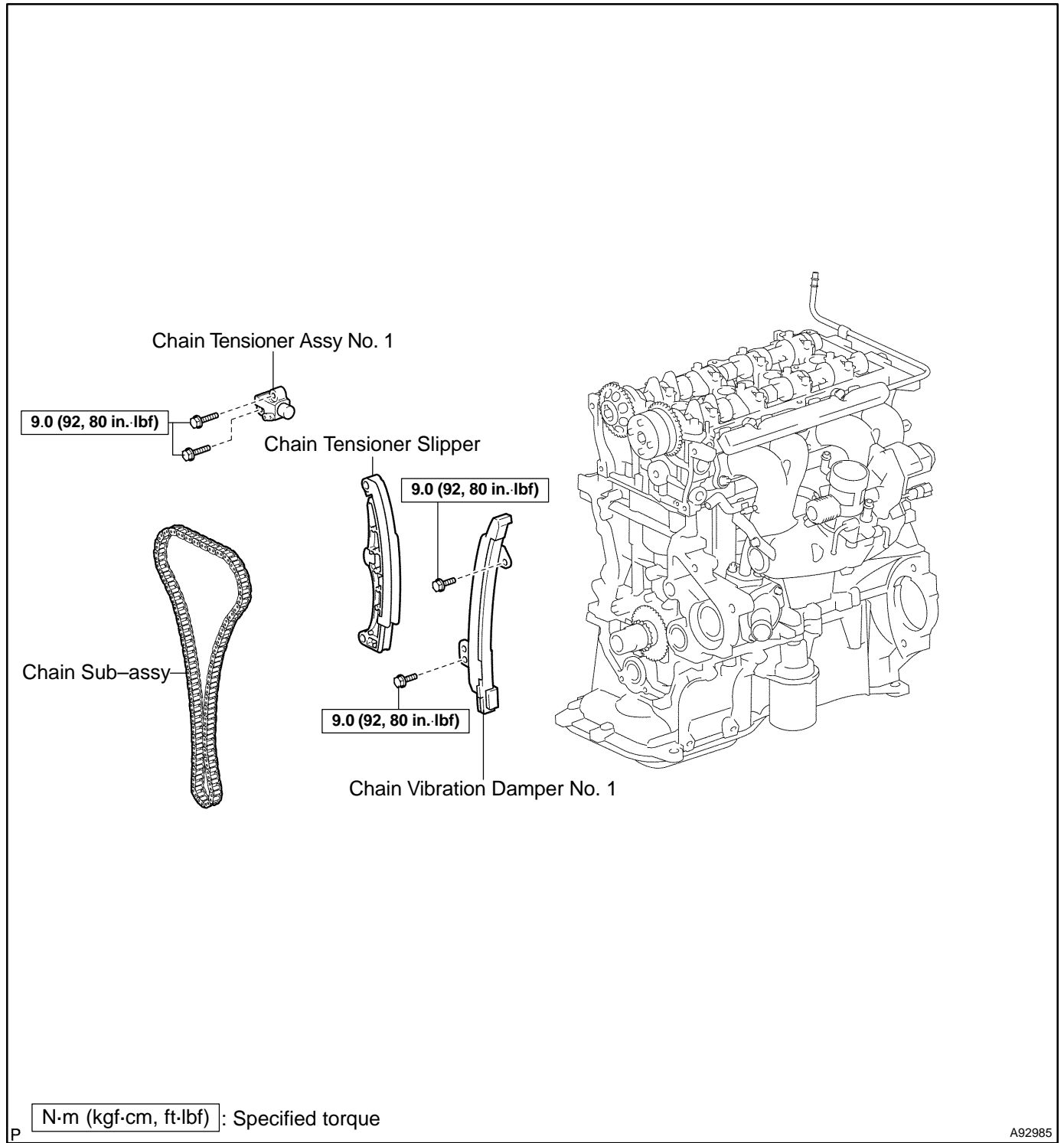
N·m (kgf·cm, ft·lbf) : Specified torque

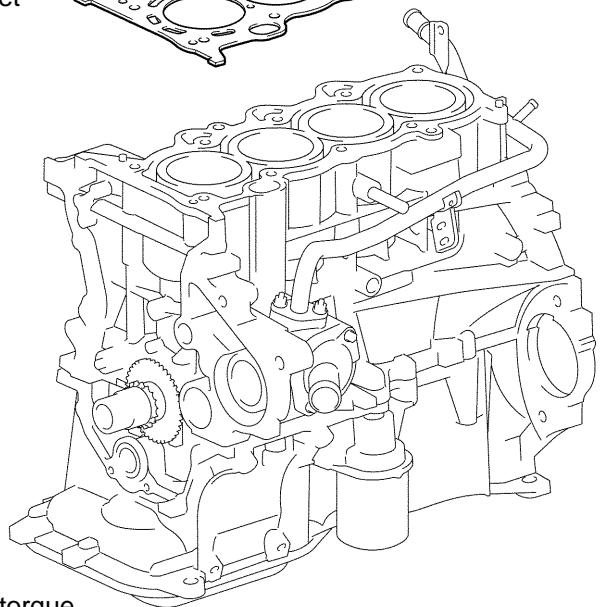
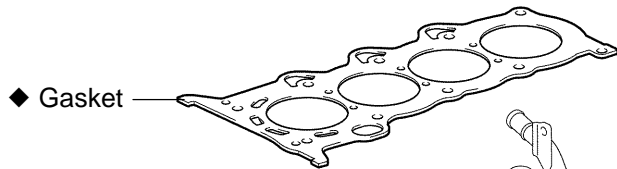
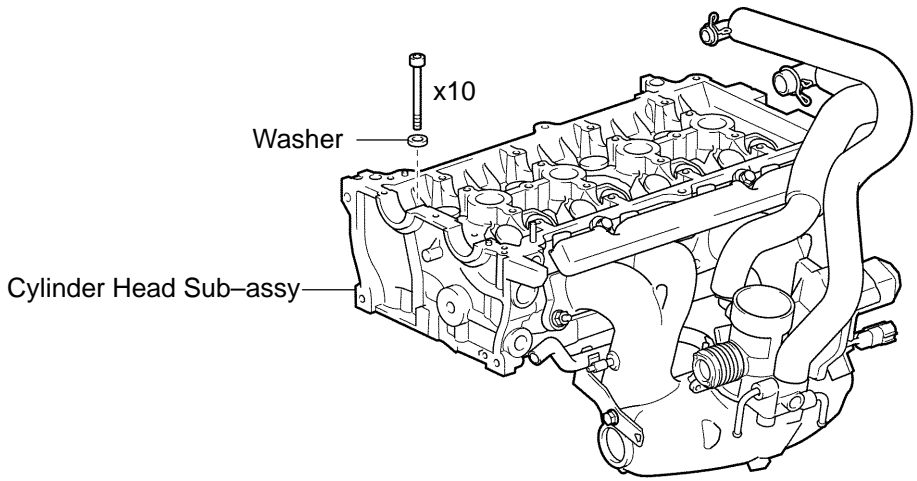
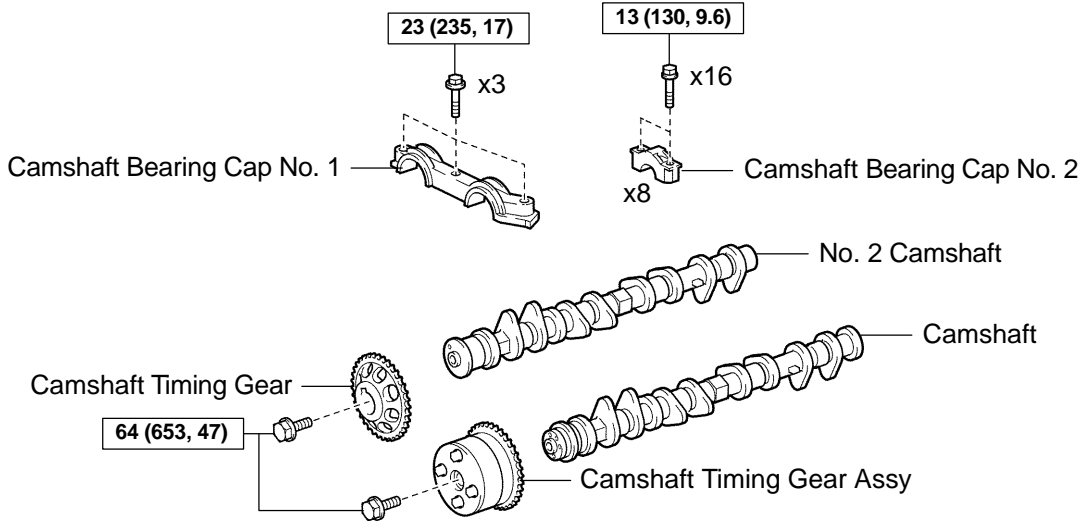
A92510

ENGINE MECHANICAL - CYLINDER HEAD GASKET (1NZ-FXE)



A92511





N·m (kgf·cm, ft·lbf) : Specified torque

◆ Non-reusable part

A92986