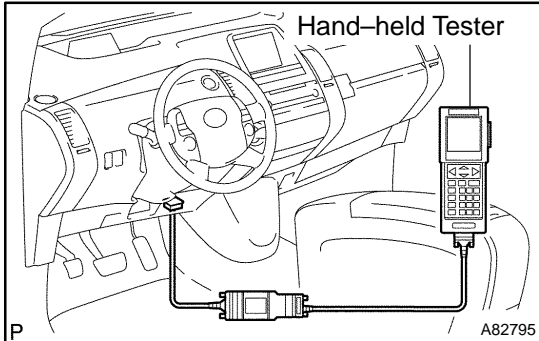


DTC CHECK/CLEAR



1. CHECK FOR DTCs

- (a) Check for DTCs.
 - (1) Connect the hand-held tester to the DLC3.
 - (2) Turn the power switch on (IG).
 - (3) Read the DTCs by following the display on the hand-held tester.

HINT:

Refer to the hand-held tester operator's manual for further details.

2. CLEAR THE DTCs

- (a) Clear the DTCs from the memory.
 - (1) Connect the hand-held tester to the DLC3.
 - (2) Turn the power switch on (IG).
 - (3) Clear the DTCs by following the display on the hand-held tester.

HINT:

Refer to the hand-held tester operator's manual for further details.