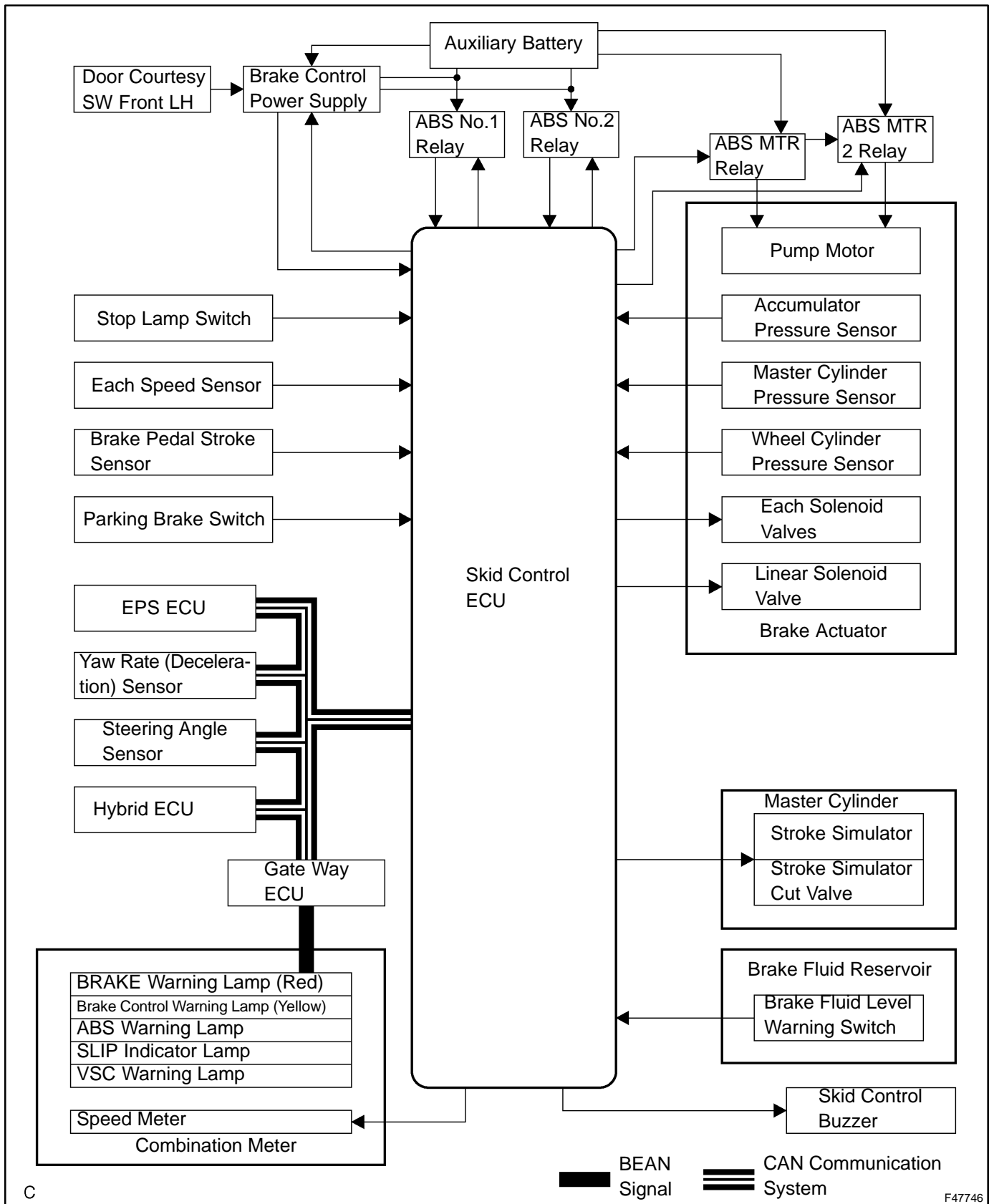


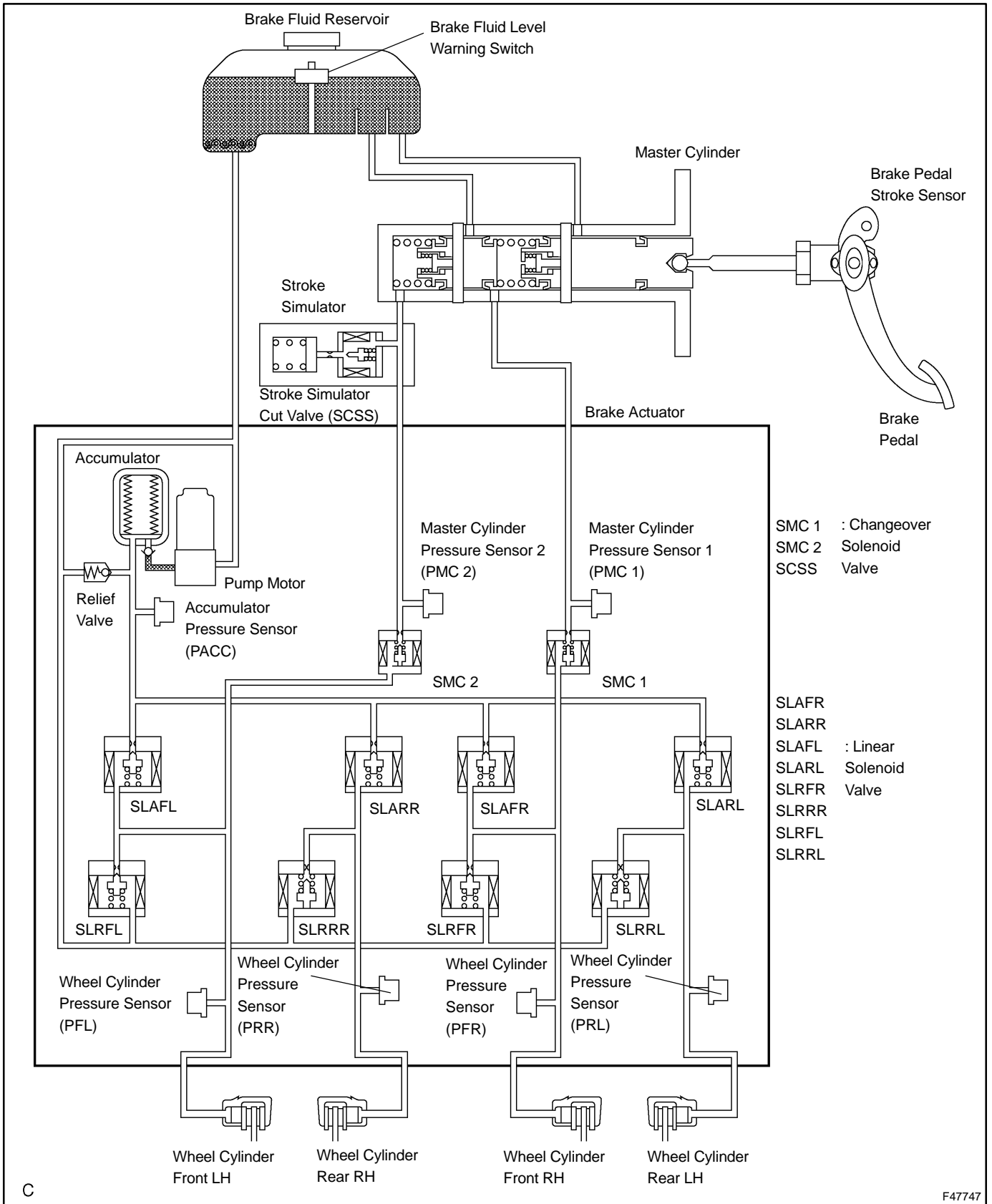
# SYSTEM DIAGRAM



C

F47746

DIAGNOSTICS - ELECTRONICALLY CONTROLLED BRAKE SYSTEM



C

F47747

Transmitting ECU	Receiving ECU	Signal name	Communication line
Skid control ECU	Gateway ECU	Warning signal	CAN communication
Skid control ECU	Hybrid Control ECU	Vehicle wheel lock signal	CAN communication
Skid control ECU	Hybrid Control ECU	Vehicle wheel speed sensor signal	CAN communication
Skid control ECU	Hybrid Control ECU	Enhanced VSC, torque control signal	CAN communication
Skid control ECU	Hybrid Control ECU	ABS operation signal	CAN communication
Skid control ECU	Hybrid Control ECU	Cruise control cancel demand signal	CAN communication
Skid control ECU	Hybrid Control ECU	Communication error signal (from HV to ECB)	CAN communication
Skid control ECU	Hybrid Control ECU	Demand drive torque signal	CAN communication
Skid control ECU	Hybrid Control ECU	Braking torque signal	CAN communication
Skid control ECU	Hybrid Control ECU	Regeneration performing demand signal	CAN communication
Skid control ECU	Hybrid Control ECU	STP SW signal	CAN communication
Skid control ECU	Hybrid Control ECU	STP SW open signal	CAN communication
Skid control ECU	Hybrid Control ECU	Parking brake signal	CAN communication
Skid control ECU	Yaw rate (deceleration) sensor	Yaw rate (deceleration) signal	CAN communication
Skid control ECU	EPS ECU	Steering signal	CAN communication
Hybrid Control ECU	Skid control ECU	Regeneration prohibit signal	CAN communication
Hybrid Control ECU	Skid control ECU	Regeneration deterioration notice signal	CAN communication
Hybrid Control ECU	Skid control ECU	Regeneration error signal	CAN communication
Hybrid Control ECU	Skid control ECU	Performing torque recognition signal	CAN communication
Hybrid Control ECU	Skid control ECU	Performing torque recognition signal	CAN communication
Hybrid Control ECU	Skid control ECU	Destination signal	CAN communication
Hybrid Control ECU	Skid control ECU	Throttle opening angle signal	CAN communication
Hybrid Control ECU	Skid control ECU	Accelerator information signal (Idle SW)	CAN communication
Hybrid Control ECU	Skid control ECU	Communication error signal (from ECB to HV)	CAN communication
Hybrid Control ECU	Skid control ECU	Wheel lock braking start signal	CAN communication
Hybrid Control ECU	Skid control ECU	Shift information signal	CAN communication
Hybrid Control ECU	Skid control ECU	Ready condition signal	CAN communication
Hybrid Control ECU	Skid control ECU	Braking torque demand signal	CAN communication
Hybrid Control ECU	Skid control ECU	SLIP indicator ON demand signal	CAN communication