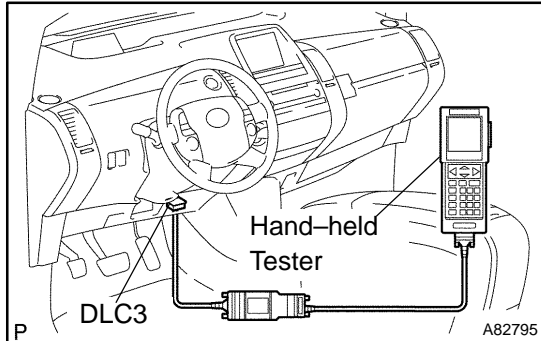


DTC CHECK/CLEAR



1. CHECK FOR DTCs

- (a) Prepare the hand-held tester.
- (b) Connect the hand-held tester to the DLC3 at the lower part of the instrument panel.
- (c) Turn the power switch on (IG) and turn the hand-held tester on.
- (d) Use the hand-held tester to check for DTCs and the freeze frame data, and note or print the result (see the operator's manual for operating instructions).
- (e) See page 05-1159 to confirm the details of the DTCs.

2. CLEAR DTCs

HINT:

The following procedures clear the DTCs and freeze frame data.

- (a) When using the hand-held tester:
Operate the hand-held tester to clear the DTCs (see the operator's manual for operating instructions).
- (b) When not using the hand-held tester:

HINT:

Remove the P CON MAIN fuse to erase DTCs C2300, C2301, C2303, C2304, C2305, C2306, and C2307 because they cannot be erased with the hand-held tester.

- (1) Turn the power switch off.
- (2) Remove the P CON MAIN fuse (7.5 A) for 60 seconds or more, and then reconnect it.
- (3) Turn the power switch on (IG).
- (4) Check that no DTCs are output.